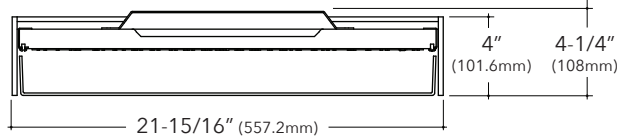




# FINA F24D

## 24" Direct Suspended Architectural Round with Acoustic Solutions



### Key Features

- Aluminum housing is rolled and welded for seamless finish with 1/4" trim
- Aluminum top cover conceals all electrical components. Highly reflective die-formed white painted steel reflector
- Sound Absorption available in specific configurations
- FINA offered with a 5-year limited warranty. Covers LED, driver and fixture
- ETL Listed conforming to UL1598 in US and CSA 250 in Canada
- Maximum fixture weight is 25 lbs
- Room-side maintenance for LED system
- Buy American Act compliant
- Apparent Noise Reduction Coefficient (NRC) is up to 1.9



Example Part #: F24D-A-930HO-AC348JB-U-FSD-1-0-W



SHIELDING <sup>1</sup>	SOURCE <sup>2</sup>	MOUNTING <sup>3</sup>	VOLTAGE
<b>A</b> - Flush Satine Lens <b>AL</b> - Drop Satine Lens <b>AR</b> - Regress Satine Lens <b>ASF</b> - Acoustic Solution Flush <i>(use A__ to specify color)</i> <b>ASR</b> - Acoustic Solution Regress <i>(use A__ to specify color)</i> <i>Shielding pg. 2</i>	<b>927</b> - 2700K <b>930</b> - 3000K <b>935</b> - 3500K <b>940</b> - 4000K <b>CL</b> - Custom Lumens <b>CW</b> - Custom Watts <b>NA</b> - Not Applicable <i>(for specifying SA fixtures)</i> <i>Source pg. 3</i>	<b>AC3</b> - 3 AC to JB or ST <b>AH4</b> - 4 AC w/hub to JB or ST <b>PP</b> - Pendant Pipe to JB or ST <b>PS</b> - Pendant Swivel to JB or ST <b>S</b> - Surface Mount <b>WA</b> - Wall Mount <i>Mounting pg. 3</i>	<b>U</b> - Universal <i>(120 thru 277V)</i> <b>1</b> - 120V <b>2</b> - 277V <b>3</b> - 347V <b>NA</b> - Not Applicable <i>(for specifying SA fixtures)</i> <i>Voltage pg. 4</i>

DRIVER	CIRCUITING	BATTERY & EMERGENCY	FINISH
<b>FSD</b> - Factory Select Driver <i>(1%, 0-10v)</i> <b>PL2</b> - Advance Xitanium <i>(1%, 0-10v)</i> <b>EE1</b> - eldoLED ECOdrive <i>(1%, 0-10v)</i> <b>ES1</b> - eldoLED SOLOdrive <i>(0.1%, 0-10v)</i> <b>LH1</b> - Lutron Hi-lume <i>(1%, EcoSystem)</i> <b>OL2</b> - eldoLED Optotronic <i>(1%, 0-10v)</i> <b>OL4</b> - eldoLED Optotronic 347v <i>(1%, 0-10v)</i> <b>NA</b> - Not Applicable <i>(for specifying SA fixtures)</i> <i>Driver pg. 4</i>	<b>1</b> - Single Circuit <b>E</b> - Emergency <i>(entire fixture)</i> <b>N</b> - Night Light <i>(entire fixture)</i> <b>NA</b> - Not Applicable <i>(for specifying SA fixtures)</i> <i>Circuiting pg. 4</i>	<b>0</b> - None <b>1PB</b> - Bodine 10W <b>FSG</b> - Factory Select ALCR <b>GI</b> - Iota ETS DR <b>GB</b> - Bodine GTD <b>NA</b> - Not Applicable <i>(for specifying SA fixtures)</i> <i>Battery and Emergency pg. 4</i>	<b>W</b> - White <b>S</b> - Metallic Silver <b>BL</b> - Textured Black <b>BR</b> - Bronze <b>GR</b> - Graphite <b>CC</b> - Custom Color <i>Finish pg. 4</i>

FIXTURE OPTIONS	CONTROLS <sup>4</sup>
<b>AM</b> - Antimicrobial Paint <b>GMF</b> - Slow Blow Fusing <b>DSP</b> - Customer Supplied Battery/Driver/Sensor <b>NA</b> - Not Applicable <i>(for specifying SA fixtures)</i> <i>Fixture Options pg. 4</i>	<b>DLMFC</b> - Wattstopper DLM <i>(wired)</i> <b>ENLI</b> - Enlighted IOT <i>(remote)</i> <b>ENLC</b> - Enlighted Connected Lighting <i>(remote)</i> <b>NA</b> - Not Applicable <i>(for specifying SA fixtures)</i> <i>Controls pg. 5</i>

<sup>1</sup>When specifying Sound Absorption (no lit components), use NA for the following sections of the part number: SOURCE, VOLTAGE, DRIVER, CIRCUITING, BATTERY & EMERGENCY, or CONTROLS. <sup>2</sup>When specifying SOURCE use the ending \_\_ are for specifying output, example HO - High Output. See output charts for more information. <sup>3</sup>Example: AC348JB, AC3 = 3 Aircraft Cables, 48 = 48" long cables, JB = connects to junction box. Standard AC cable lengths are 48" and 120", field adjustable. Standard pendant lengths are 12", 18", or 24". <sup>4</sup>Controls can only be used with Single Circuit (1) or Emergency Circuit (E), cannot be used with any battery options. See Controls chart on page 5 for driver options and more information.

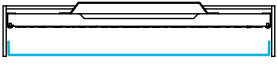
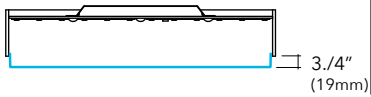
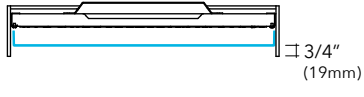
Specifications and dimensions subject to change without notice. Specification sheets that appear on pinnacle-ltg.com are the most recent version and supersede all other previously printed or electronic versions.



## Shielding

- White virgin acrylic lens with matte finish, removable for LED access
- Lens available in 3 positions

### Ordering Code

<b>A or ASF</b>	<b>AL</b>	<b>AR or ASR</b>
Flush Satine Lens or Acoustic Solution	Drop Satine Lens	Regress Satine Lens or Acoustic Solution
		

## Acoustic Solutions

- 12mm PET Polyester Fiber acoustic panel
- Recyclable and contains up-to 90% post-consumer content
- Colors below are for representation purposes, color may vary from photograph, contact factory for sample
- Specify the color of the Acoustic panel with the numeric code below in the Acoustic Finish portion of the part number. For example, specify **A08** for Nickel

<b>A01</b> - Charcoal	<b>A02</b> - Black	<b>A03</b> - Azure	<b>A04</b> - Ruby	<b>A05</b> - Commander	<b>A06</b> - Coffee Bean	
						
<b>A07</b> - Almond	<b>A08</b> - Nickel	<b>A09</b> - Stone	<b>A10</b> - Slate	<b>A11</b> - Pear	<b>A12</b> - Teal	
						
<b>A13</b> - Warm White	<b>A14</b> - Nighttime Blue	<b>A15</b> - Tiger	<b>A16</b> - Cool Grey	<b>A17</b> - Grey Granite	<b>A18</b> - Dune	
						
<b>A19</b> - Bone	<b>A20</b> - Bumblebee	<b>A21</b> - Gingerbread	<b>A22</b> - Raven	<b>A23</b> - Oregano	<b>A24</b> - Mushroom	<b>PCC</b> - Custom Color
						<p>Please note there is a minimum order quantity for custom matching. Consult factory for order quantity, price and lead-time.</p>



**Source: White LED**

- 90 CRI = R9≥50

**Sound Absorption**

**NA** Not applicable (for Sound Absorption fixtures)

**Custom Output- Lumens OR Wattage**

<b>CL</b> _____	Specify CRI, CCT and desired lumens (i.e. CL8352000)	Specify lumens between standard offering listed below. Lumens are specified per color temp
<b>CW</b> _____	Specify CRI, CCT and desired wattage (i.e. CW94020)	Specify watts between standard offering listed below

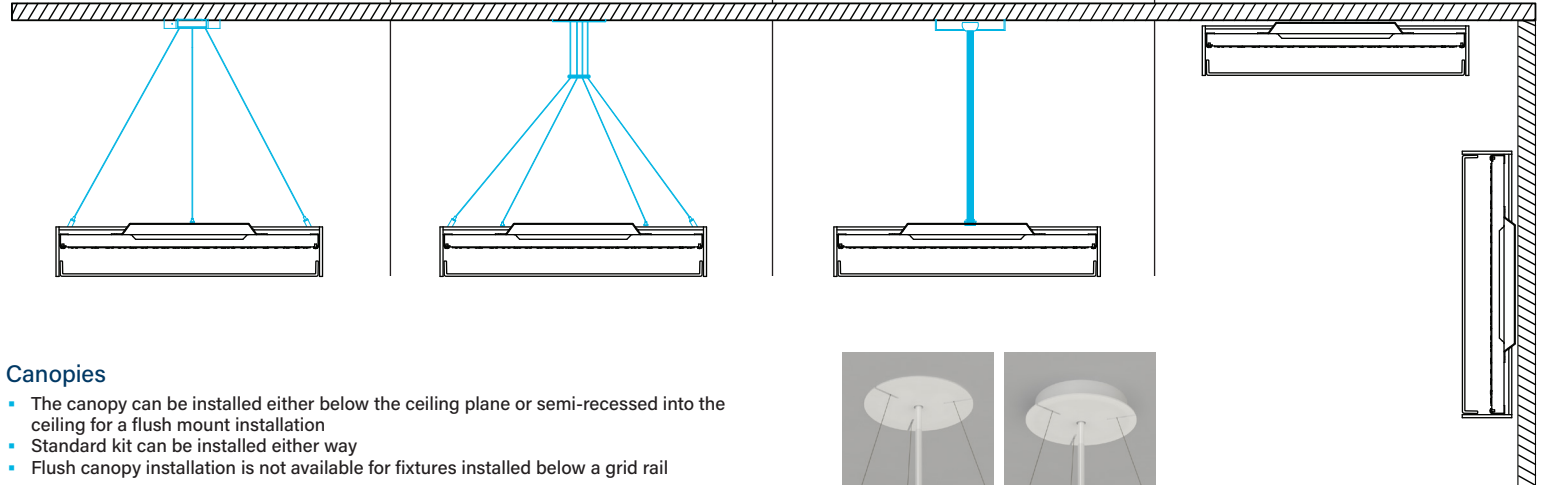
**90 CRI**

	Color	Shielding		
		<b>A, AL, AR</b> Satine Lens		
		Lumens	Watts	LPW
<b>927LO</b>	2700K	1497	17.2	87
<b>927MO</b>	2700K	2526	29.2	86
<b>927HO</b>	2700K	3472	41.5	84
<b>930LO</b>	3000K	1508	17.1	88
<b>930MO</b>	3000K	2548	28.9	88
<b>930HO</b>	3000K	3504	41.0	86
<b>935LO</b>	3500K	1508	17.1	88
<b>935MO</b>	3500K	2548	28.9	88
<b>935HO</b>	3500K	3504	41.0	86
<b>940LO</b>	4000K	1551	17.2	90
<b>940MO</b>	4000K	2622	29.1	90
<b>940HO</b>	4000K	3605	41.3	87

**Mounting**

- Aircraft cables and pendants mount directly to a standard junction box or structure
- Canopies and pendants match fixture finish, power cords are white, grey, or black depending on fixture finish. See Finish section for additional details.
- Must specify overall pendant length of 12", 18" or 24"
- Must specify cable length, either 48" or 120" standard, field adjustable
- Maximum fixture weight is 25 lbs

<b>AC3_JB</b> 3 AC cables to fixture to J-Box	<b>AH4_JB</b> 4 AC cables with hub to fixture to J-Box	<b>PP_JB</b> Pendant Pipe to J-Box	<b>S</b> Surface Mount Ceiling
<b>AC3_ST</b> 3 AC cables to fixture to Structure	<b>AH4_ST</b> 4 AC cables with hub to fixture to Structure	<b>PS_JB</b> Pendant Swivel to J-Box	<b>WA</b> Surface Mount Wall
		<b>PP_ST</b> Pendant Pipe to Structure	
		<b>PS_ST</b> Pendant Swivel to Structure	



**Canopies**

- The canopy can be installed either below the ceiling plane or semi-recessed into the ceiling for a flush mount installation
- Standard kit can be installed either way
- Flush canopy installation is not available for fixtures installed below a grid rail

Specifications and dimensions subject to change without notice. Specification sheets that appear on pinnacle-ltg.com are the most recent version and supersede all other previously printed or electronic versions.



## Voltage

- Some FINA configurations will not accommodate all voltage options; consult with factory

<b>U</b>	Universal
<b>1</b>	120 volt
<b>2</b>	277 volt
<b>3</b>	347 volt
<b>NA</b>	Not Applicable (for Sound Absorption)

## Driver

- Standard Driver Option = FSD
- Driver Lifetime: 50,000 hours at 25°C ambient operating conditions
- For more Driver options, see Pinnacle Resource Guide on download pages at pinnacle-ltg.com
- Some FINA configurations will not accommodate all driver options; consult with factory

### 0-10V Drivers

<b>FSD</b>	Factory Select Driver 1%, 0-10v
<b>PL2</b>	Advance Xitanium, 1%, 0-10v
<b>OL2</b>	eldoLED Optotronic, 1%, 0-10v
<b>OL4</b>	eldoLED Optotronic 347v, 1% 0-10v, requires 347v option
<b>EE1</b>	eldoLED ECOdrive 1%, 0-10v Logarithmic
<b>EE2</b>	eldoLED ECOdrive 1%, 0-10v Linear
<b>ES1</b>	eldoLED SOLOdrive 0-10v, 0.1% Logarithmic
<b>ES2</b>	eldoLED SOLOdrive 0-10v, 0% Linear

### DALI Drivers

<b>EE3</b>	eldoLED ECOdrive .1%, DALI (logarithmic)
<b>ES3</b>	eldoLED SOLOdrive .1%, DALI (logarithmic)

### Lutron Drivers

<b>LH1</b>	Lutron Hi-lume Soft-on, Fade-to-black 1%, EcoSystem, LDE1
<b>LH4</b>	Lutron Hi-Lume 1%, 2-wire, Lutron-LTEA2W, 120v only

## Circuiting

- Select fixture circuiting from options below
- Some FINA configurations will not accommodate all circuiting options; consult with factory

<b>1</b>	Single Circuit
<b>E</b>	Emergency Circuit only
<b>N</b>	Night Light Circuit only
<b>NA</b>	Not Applicable (for Sound Absorption)

## Battery & Emergency

- Select battery or emergency options if required
- Battery duration is 90 minutes
- Test button is remote to fixture
- For more Battery options, see Pinnacle Resource Guide on download pages at pinnacle-ltg.com

<b>0</b>	No Battery
<b>1IRC</b>	Iota 10w Remote
<b>1PB</b>	Bodine 10w Integral
<b>1PRS</b>	Bodine 7w Remote, Self Testing
<b>1PRD</b>	Bodine 10w Remote, Dual Flex
<b>FSG</b>	Factory Select Automatic Load Control Relay (ALCR), UNV
<b>GI</b>	Emergency Transfer Switch (ETS) DR Emergency Control Device, UNV
<b>GB</b>	Bodine GTD, Generator Transfer Device, 120v or 277v

### For Approximate Battery Lumen Output

- Multiply battery wattage X fixture LPW shown on Lumen Table
- 10 (watts) x 92.3 (LPW) = 923 battery lumen output

### Battery & Emergency Ordering Examples

- Single circuit, 10w integral battery      Ordering Code: 1-1PB
- Emergency circuit only, 10w integral battery      Ordering Code: E-1PB

## Finish

- Powder-coat white painted finish on exposed trim

<b>W</b>	White (white cord/white canopy)
<b>S</b>	Metalic Silver (grey cord/silver canopy)
<b>BL</b>	Textured Black (black cord/black canopy)
<b>BR</b>	Bronze (white cord/bronze canopy)
<b>GR</b>	Graphite (white cord/graphite canopy)
<b>CC</b>	Custom Color (white cord/color match canopy)

## Fixture Options

- Additional options to enhance the fixture and finish of the product

<b>AM</b>	Antimicrobial Paint
<b>GMF</b>	Internal Slow Blow Fuse
<b>DSP</b>	Customer Supplied Battery/Driver/Sensor
<b>NA</b>	Not Applicable (for Sound Absorption)

Specifications and dimensions subject to change without notice. Specification sheets that appear on pinnacle-ltg.com are the most recent version and supersede all other previously printed or electronic versions.

Designed in Denver, CO • USA | pinnacle-ltg.com | O: 303-322-5570 F: 303-322-5568

F24D\_SUSPENDED\_SPEC\_JULY2024



## Controls

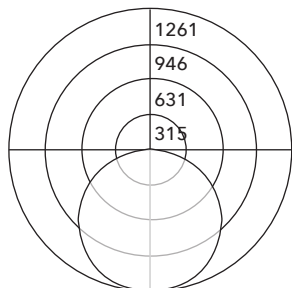
- Pinnacle Lighting offers easy to specify network control solutions that connect to an intelligent centralized system to maximize lighting energy efficiencies or integral sensors for individual fixture control
- Pinnacle Lighting fixtures ship technology ready; commissioning by others
- Controls can only be used with Single Circuit (1) or Emergency Circuit (E)
- Contact factory for any non-standard configurations for layout, placement, or EM options
- One sensor per housing typical, contact factory for more information

	Solution	Components	Network/Sensor	Connection	RQD Drivers	Limitation
<b>DLMFC</b>	Legrand Wattstopper DLM	LMFC-011	Digital Lighting Management (DLM)	Wired, two RJ45 ports	OL2, OL4	None
<b>ENLI</b>	Enlighted IOT	CU-4E	Enlighted, Remote	Enlighted Cable	Any 0-10v	Not available with 347 volt
<b>ENLC</b>	Enlighted Connected Lighting	CU-4E	Enlighted, Remote	Enlighted Cable	Any 0-10v	Not available with 347 volt
<b>NA</b>	Not Applicable (for Sound Absorption)					

## Photometrics

### Satine Lens

Test # Scaled from ITL92432  
 Catalog # F24D-A-940HO  
 Lumens 3605 lm  
 Watts 41.3 W  
 Efficacy 87 LPW



### Candela Distribution

Vert Angle	Horizontal Angle
0	1260
5	1261
10	1244
15	1217
20	1177
25	1126
30	1066
35	999
40	922
45	839
50	750
55	654
60	554
65	450
70	344
75	238
80	140
85	60
90	0

### Luminance Data (cd/sq.m)

Angle In Degrees	Average 0-Deg	Average 45-Deg	Average 90-Deg
45	5122	5122	5122
55	4921	4921	4921
65	4597	4597	4597
75	3975	3975	3975
85	2991	2991	2991

For all available IES files, please visit our website at [pinnacle-ltg.com](http://pinnacle-ltg.com). Photometry testing in accordance to IESNA-LM-79-08 at an NVLAP accredited testing laboratory. Testing conducted at 25°C ambient conditions

## Approvals & Certifications

**Construction:** Extruded aluminum housing is rolled and welded for seamless finish with minimal trim detail. Aluminum top cover conceals all electrical components. Highly reflective die-formed white painted steel reflector. Wiring access on top of housing.

**Shielding:** Single piece diffuse lens creating a fully luminous housing. Available with standard satine lens.

**Acoustic Solutions:** Acoustic Solutions panels may be specified in place of lit fixture components to aid in Acoustic Control within a space. Acoustic Solutions material is a 9mm PET Polyester Fiber acoustic panel, containing up to 90% post-consumer content, made by others. Acoustic testing was completed by Riverbank Acoustic. For specific reports, contact Pinnacle directly.

**Mounting:** Aircraft cable, Pendant, Surface and Wall mount available. Aircraft Cable and pendant supplied with 5" (127mm) canopies. Refer to installation instructions for appropriate ceiling detail. Maximum fixture weight is 25 lbs.

**LED:** 25°C test environment. Lumen output/wattage has a margin of +/- 5%. Luminaire configurations tested in accordance with IES LM-79. Diodes tested in accordance with IES LM-80. Lifetime calculated using IES TM-21. Minimum lifetime greater than 60,000 hours. L70 = 146,500 hours and L90 = 45,000 hours. MacAdam 3-Step Ellipses. Not all products are Lighting Facts listed. For all available IES files, please visit our website at [pinnacle-ltg.com](http://pinnacle-ltg.com).

**CRI, CCT & Output:** Three lumen packages available. Low (LO), Mid (MO) and High (HO). Custom outputs are available. Specify custom lumens or watts between standard offering listed on CRI, CCT & Output page. 90 CRI is available for 2700K, 3000K, 3500K, and 4000K. 90 CRI = R9≥50.

**Voltage:** Universal (U), 120 volt (1), 277 volt (2), 347 volt (3) options available. Must specify OL4 in Driver section when 347 volt (3) is selected. Some FINA configurations will not accommodate all voltage options; consult with factory.

**Driver:** Standard Driver Option is Advance 0-10V, 1% = FSD. Electronic driver, Power factor is >0.9 with a THD <20%. Driver Lifetime: 50,000 hours at 25°C ambient operating conditions. For more driver options, see Pinnacle Resource Guide on download pages at [pinnacle-ltg.com](http://pinnacle-ltg.com). Some FINA configurations will not accommodate all driver options.

**Circuiting:** Select from Single circuit (1), Emergency circuit (E) or Night Light circuit (N). Some FINA configurations will not accommodate all circuiting options, consult with factory.

**Battery & Emergency:** Select battery or emergency options if required. If battery or emergency option is not required, enter 0. Battery duration is 90 minutes as standard. Test button is remote to fixture. For more Battery options, see Pinnacle Resource Guide on download pages at [pinnacle-ltg.com](http://pinnacle-ltg.com).

**Finish:** Standard powder-coat textured white, metallic silver, textured black, graphite, or bronze painted finish, consult factory for chip of standard paint finishes. Contact factory for additional custom color and finish options.

**Controls:** DLM utilizes wired network connections for digital control through switching and dimming with 0-10v LED drivers. Enlighted Smart Sensor provides multi-functionality including daylight harvesting and PIR occupancy; for IOT platform using 0-10v LED drivers. Enlighted Smart Sensor provides multi-functionality including daylight harvesting and PIR occupancy; for Connected platform using 0-10v LED drivers.

**Labels:** ETL Listed conforming to UL1598 in US and CSA 250 in Canada. LO, MO, and HO lumen packages are IC Rated, approved for dry/damp location unless otherwise noted.

**Fixture Weight:** 25 lbs maximum

**Buy American Act compliant**

**Warranty:** FINA LED offered with a 5-year limited warranty. Covers LED, driver and fixture.

Specifications and dimensions subject to change without notice. Specification sheets that appear on [pinnacle-ltg.com](http://pinnacle-ltg.com) are the most recent version and supersede all other previously printed or electronic versions.

Designed in Denver, CO • USA | [pinnacle-ltg.com](http://pinnacle-ltg.com) | O: 303-322-5570 F: 303-322-5568

F24D\_SUSPENDED\_SPEC\_JULY2024