



# MOFFAT

PINNACLE  
ARCHITECTURAL LIGHTING®

A brand of  legrand





**CHROME ENDCAP  
OPTION**

Pinnacle's MOFFAT illuminates a specific surface, highlights an exact point, and can even replace perimeter solutions for a feature wall.

Individual fixtures can be mounted and connected via the hub on the endcap to ensure a continuous look in a larger application.

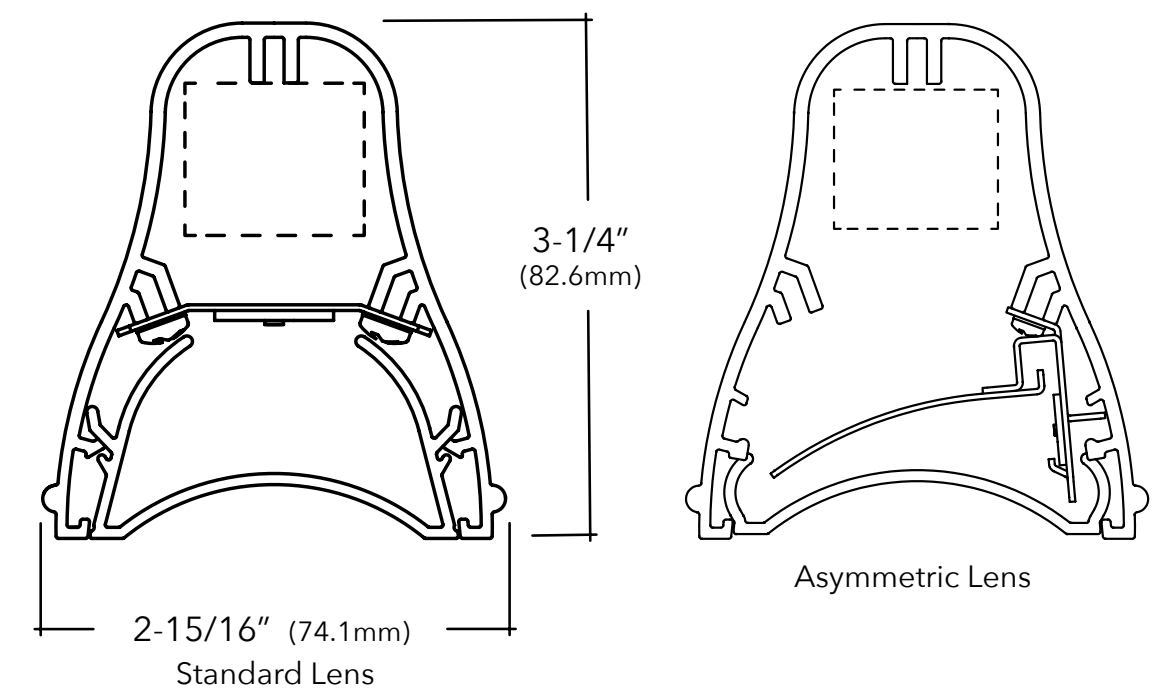
Smart Solutions available.





# PETITE & POWERFUL

The petite profile allows the fixture to blend in to any space, but up close, the housing has a simple curve detail to give it definition.



## Mounting

### Aircraft Cable

A clean, simple mounting solution for indoor applications.

### Flush Mount

Positions the fixture about 3" out from the wall or ceiling.

### Pendant Pipe

Available in 6", 12", 18" and 24" lengths.

## Fixture Housing

Available in 2', 3', 4', 6', 8' standard lengths with integral driver.

## Rotating Head

Field adjustable 360° to highlight a specific area as needed.

## Visor

Specify for a more tailored beam angle.

*Not pictured, see Spec Sheet for more information.*

## Louver

Specify for more glare control.

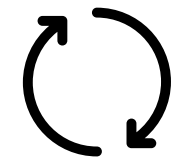
*Not pictured, see Spec Sheet for more information.*

# DESIGNED FOR THE ELEMENTS

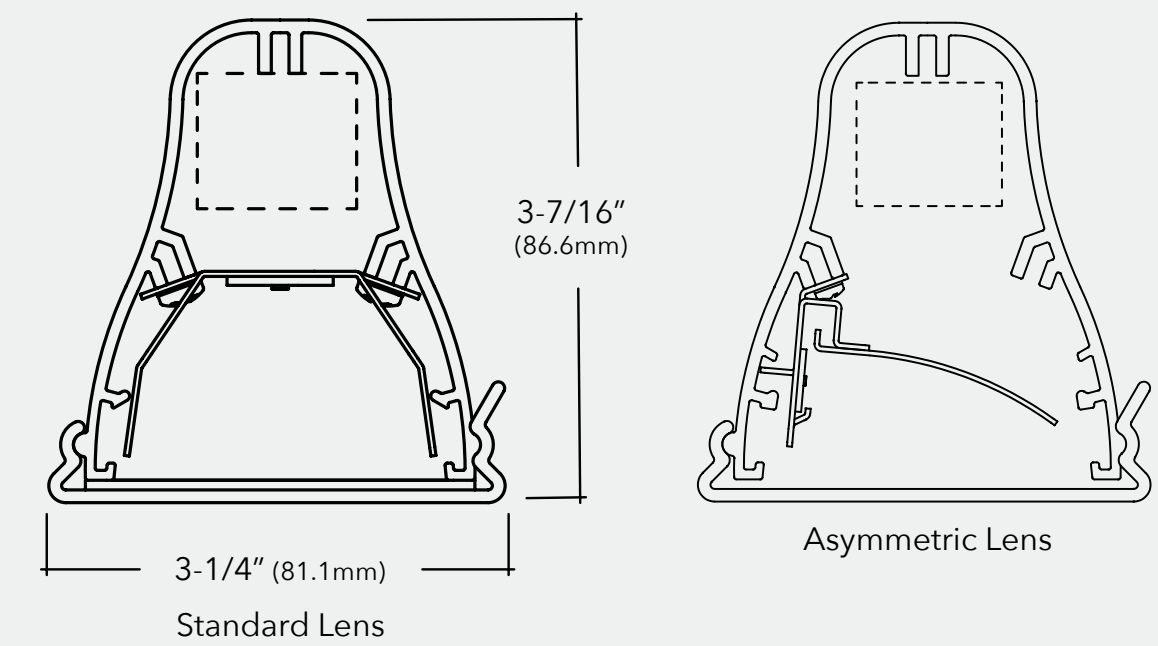
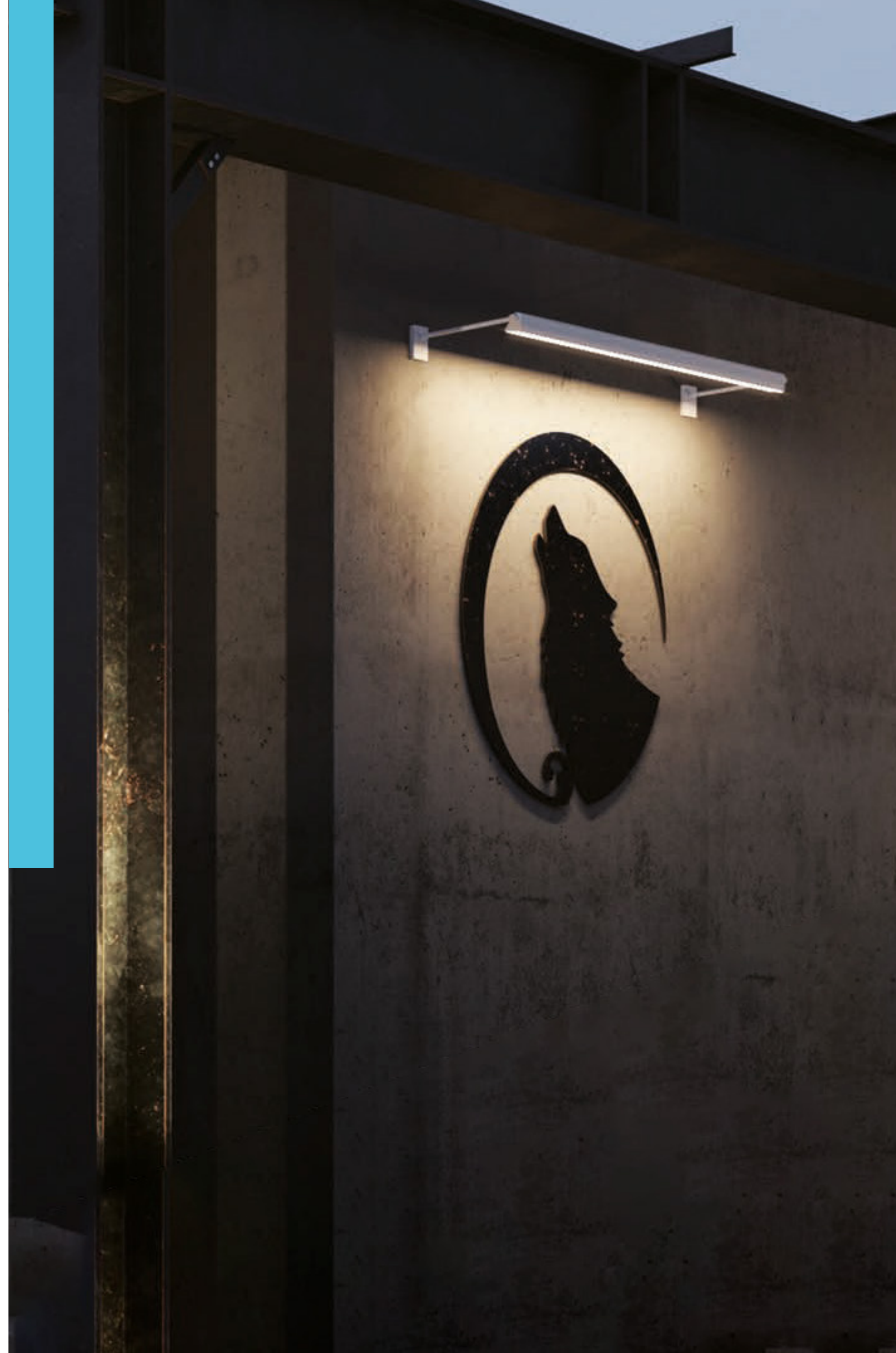
MOFFAT is also ideal for exterior applications. Ensure design continuity from inside to out when highlighting signage, artwork, retail displays, or a unique feature wall. A specific waterproof lens and gasket combination ensure a dry seal for a UL Wet Listing Certification.

Individual fixtures can be joined to create a continuous look for larger applications.





With a field rotatable function, MOFFAT is perfect for that ever-changing piece of artwork or a yet-to-be-defined design.





**P I N N A C L E**  
ARCHITECTURAL LIGHTING®

3801 Havana St. Denver CO, 80239

Phone: 303.322.5570

[www.pinnacle-ltg.com](http://www.pinnacle-ltg.com)

**December 2020**

© 2020 Pinnacle Architectural  
Lighting®

Specifications and dimensions subject to change without notice. Specification sheets and brochures that appear on [pinnacle-ltg.com](http://pinnacle-ltg.com) are the most recent version and supersede all other previously printed or electronic versions.