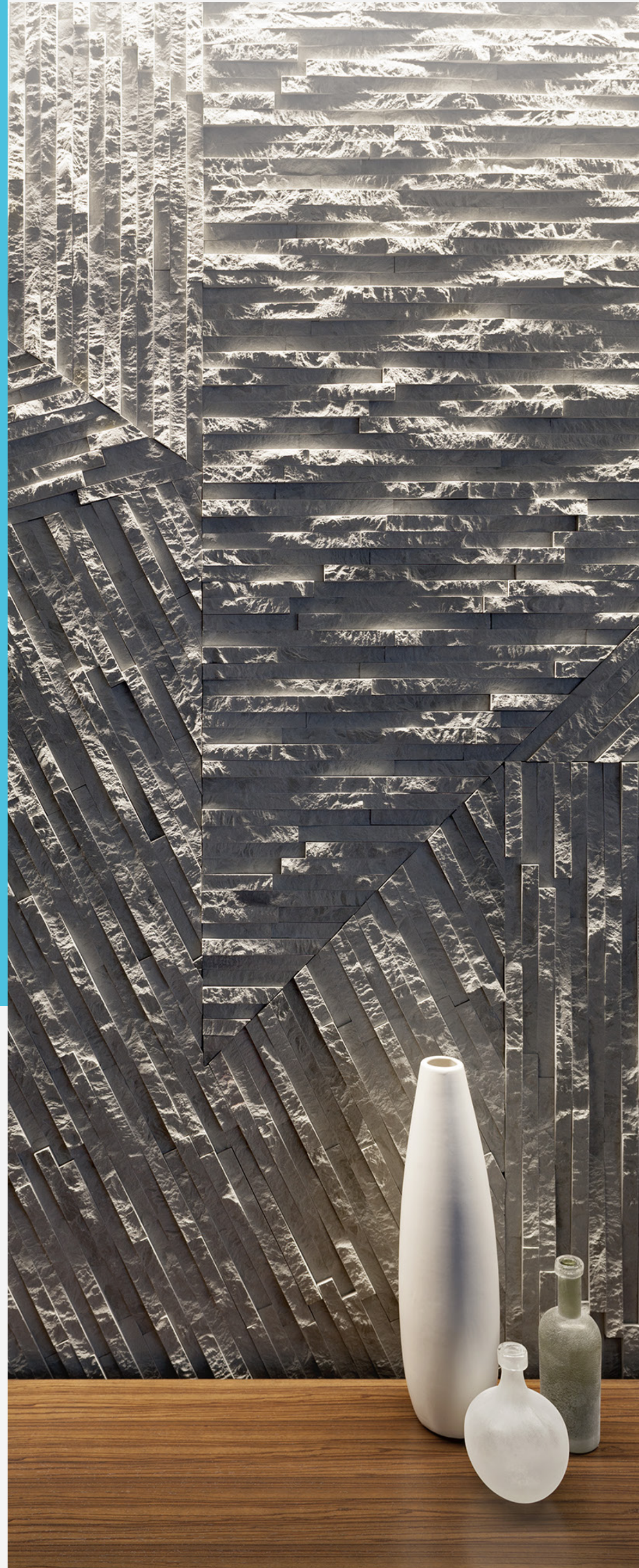




DEFINE YOUR SPACE

PINNACLE
ARCHITECTURAL LIGHTING®
A brand of  legrand



 P I N N A C L E
ARCHITECTURAL LIGHTING®

DEFINE YOUR SPACE

Vision is predominately vertical. Glowing wall surfaces are essential to both functionality and character. Creating another tool to further enhance your space, EDGE Perimeter, Outline, Wall Grazer, and Wall Wash give you illuminated versatility whether you want to fill a corridor with light, highlight a textured feature wall, or draw focus to a beautiful piece of artwork.



EDGE PERIMETER SOLUTION

A simple solution to the common issues with perimeter lighting, EDGE Perimeter gives you the same clean lines of light you can count on within the Pinnacle EDGE family. Available in the EV2, EV3, EV4, and EV6 form factors.

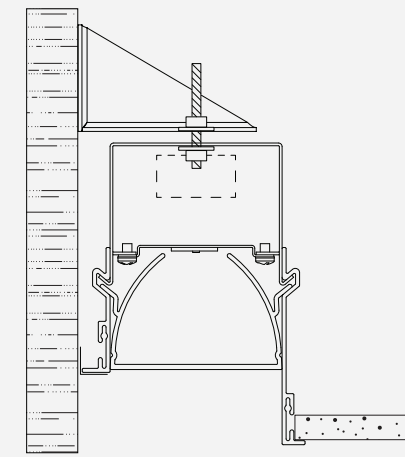
EDGE EVOLUTION OUTLINE

Part: EV3DPM-HE-35

Light Level (fc): 26 fc avg.

Floorplane: min. 12 fc, max. 35 fc
.50 WPSF

PERIMETER



OUTLINE A ROOM

Dramatic effect and functionality come together in our Edge Evolution Outline. Ideal for hallways and corridors, this fixture casts a striking halo 18" to 20" below the ceiling plane, which then projects soft, illumination into a space.

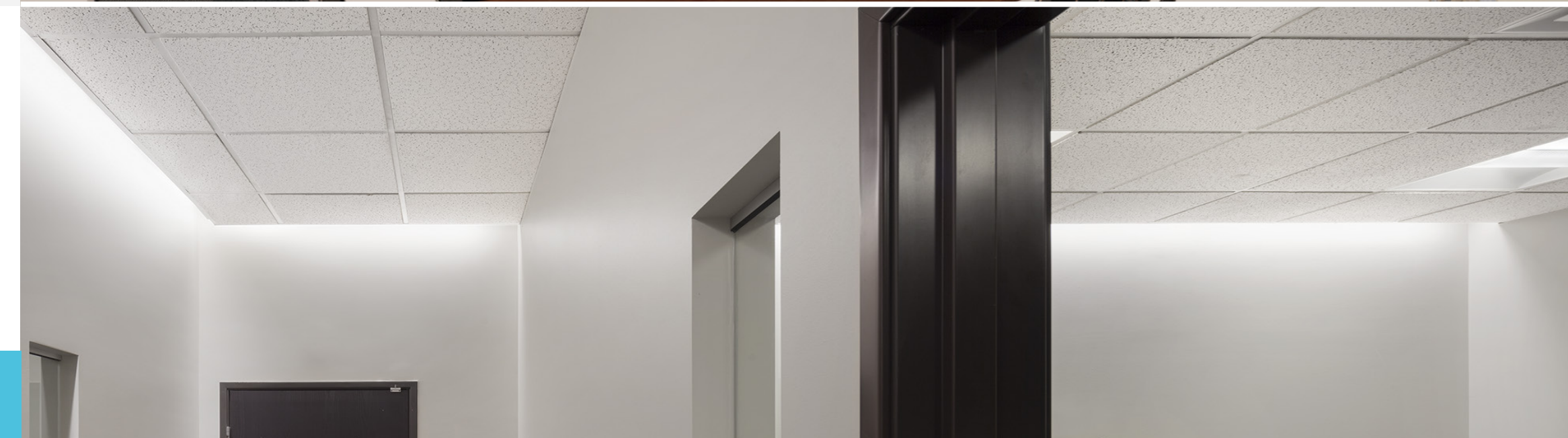
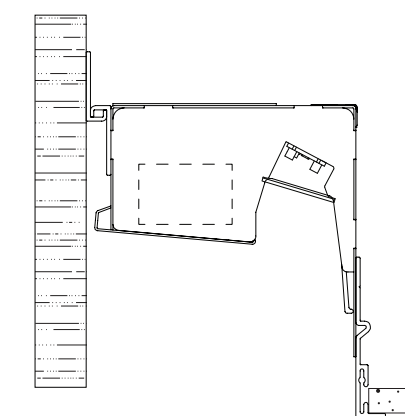
EDGE EVOLUTION OUTLINE

Part: EVL-35HO

Light Level (fc): 15 fc avg.

Floorplane: min. 7 fc, max. 22 fc
1.0 WPSF

OUTLINE



GRAZE A TEXTURE

Designed to highlight textures both subtle and bold — as well as everything in between — the Edge Evolution Wall Grazer is a designer's tool for creating striking feature walls.

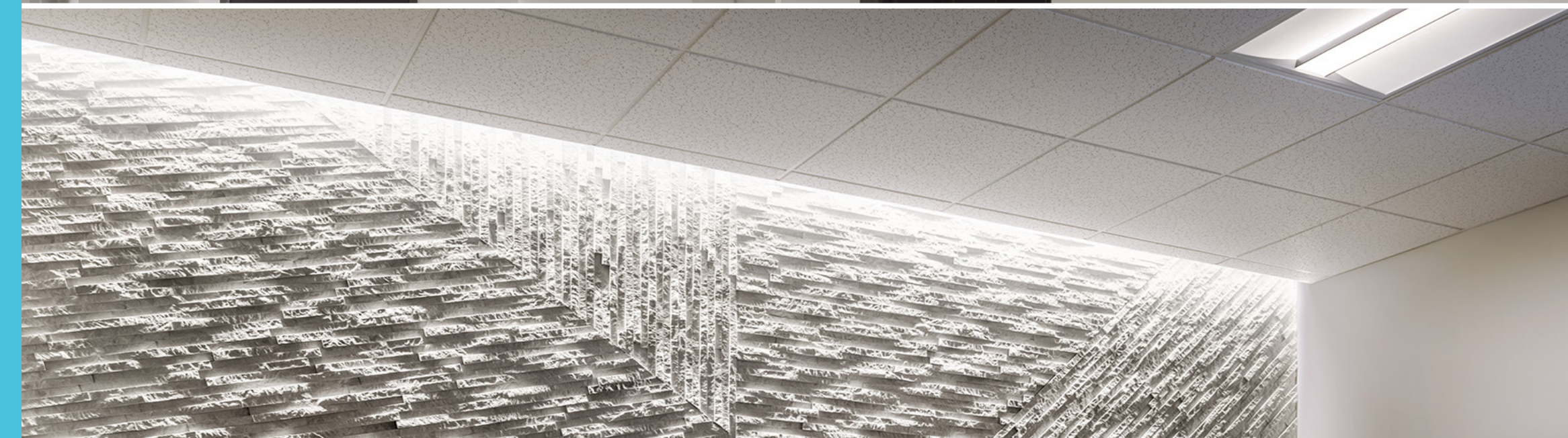
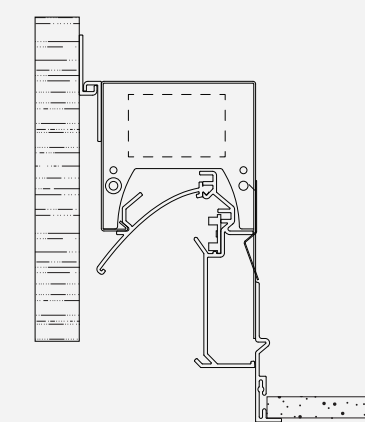
EDGE EVOLUTION WALL GRAZER

Part: EV3WG-35HO

Light Level (fc): 21 fc avg.

Verticals: min. 5 fc, max. 60 fc
13'x10' wall, 154.1 watts

WALL GRAZER



WASH A WALL

Edge Evolution Wall Wash takes wall washing to new heights using a seamless beam of light with exceptional optical control for uniform, shadow-free illumination from ceiling to floor.

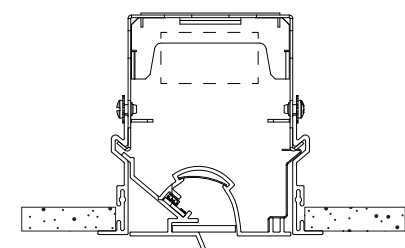
EDGE EVOLUTION WALL WASH

Part: EV3D-WW-35HO

Light Level (fc): 30 fc avg.

Verticals: min. 6 fc, max. 63 fc
24'x10' wall, 241.8 watts

WALL WASH

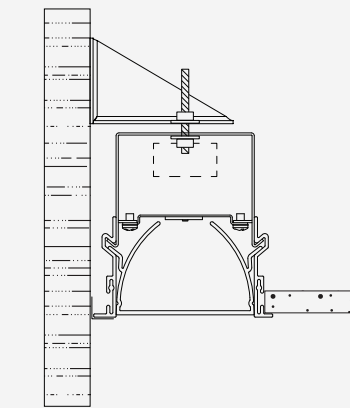


SIMPLIFY WITH EDGE PERIMETER

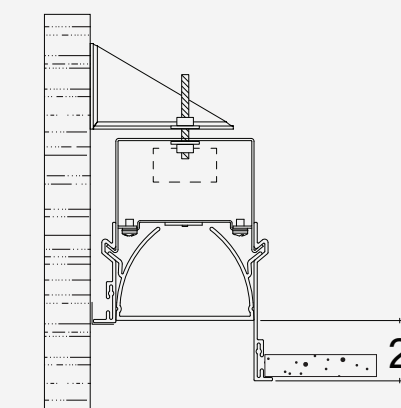
A simple solution to the common issues with perimeter lighting, EDGE Perimeter gives you the same clean lines of light you can count on within the Pinnacle EDGE family. Available in the EV2, EV3, EV4, and EV6 form factors. with a standard flush, a 2", 3", 4", or 6" recess housing to give the solution a cavernous aesthetic that includes illuminated corners. Continue your uninterrupted lines of light around inside or outside corners of your space.



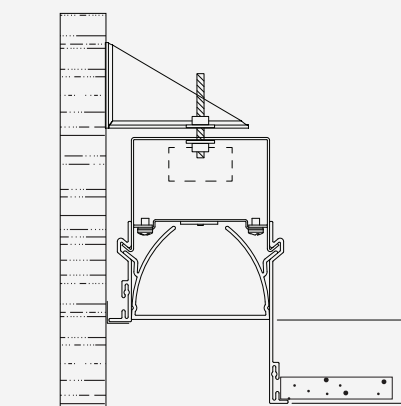
FLUSH (PM)



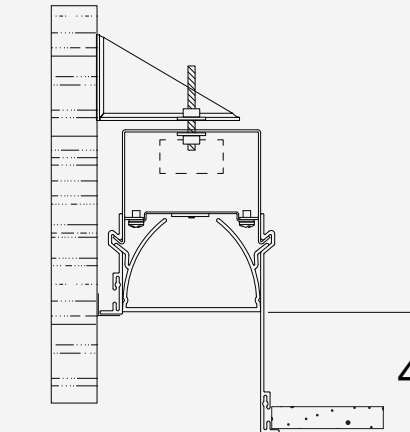
2" RECESS (PM2)



3" RECESS (PM3)

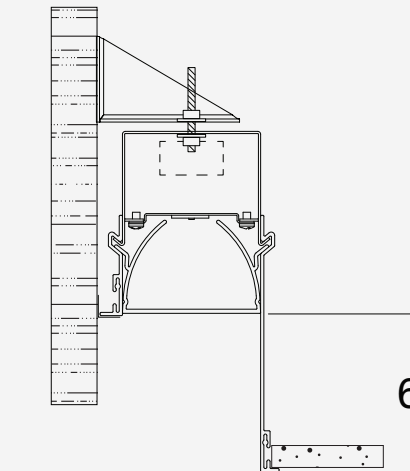


4" RECESS (PM4)



6" RECESS (PM6)

Standard Modification



WALL UNIFORMITY

(Based on HE Lens, 3500K)

9' Ceiling

24:1

12' Ceiling

28:1

15' Ceiling

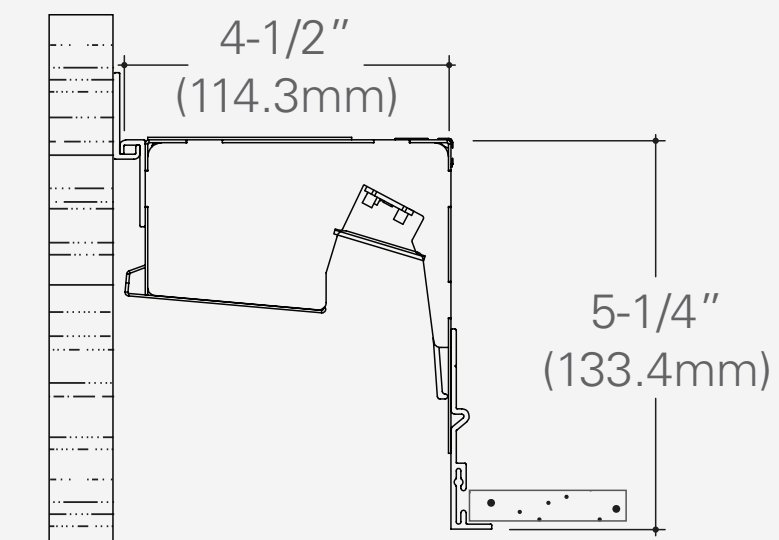
35:1

OUTLINE A ROOM

Outline provides increased flexibility by offering fixtures in two heights — the standard at 5-1/4" and the shallow plenum option at 4-1/4". The standard housing has a 35 degree cutoff, while the shallow plenum fixture's cutoff is 25 degrees. Consistent performance with both allows for mixed use on a single project. Optional inside corners, outside corners, and end fillers give even more diversity to this product family.



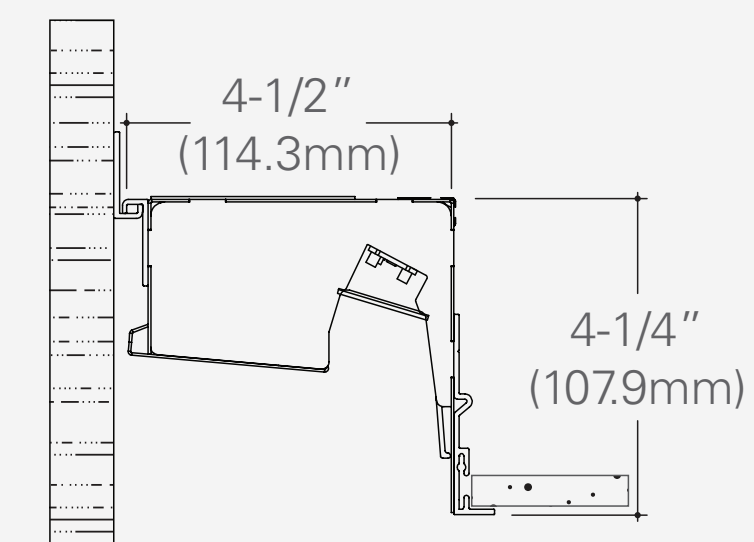
STANDARD (EVL)



WALL UNIFORMITY (Based on 3500K, high output)

- 9' Ceiling
23:1
- 12' Ceiling
38:1
- 15' Ceiling
54:1

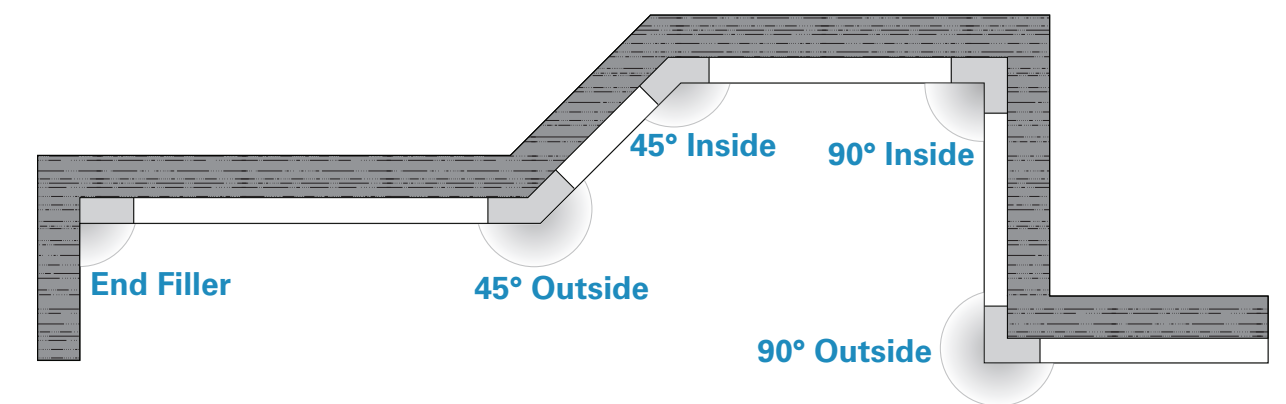
SHALLOW (EVLS)



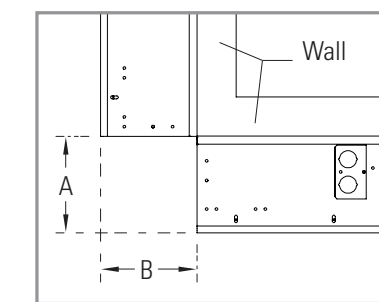


WRAP A CORNER WITH OUTLINE

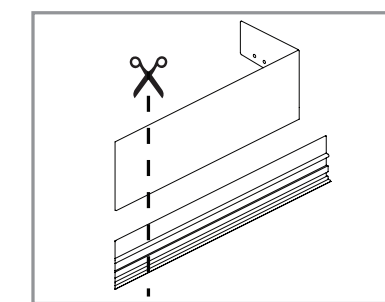
Corner modules enable designers to completely wrap a room with light creating more visual interest and functionality than linear runs. Inside and outside corners are offered in both 45° and 90°. Each of the corner modules allow for +/- 5° of adjustability to accommodate any wall imperfections. Specify runs to the nearest foot and corners are slid into place to finish the perimeter lighting.



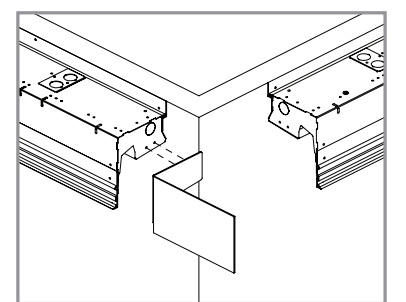
OUTSIDE CORNER INSTALLATION OVERVIEW



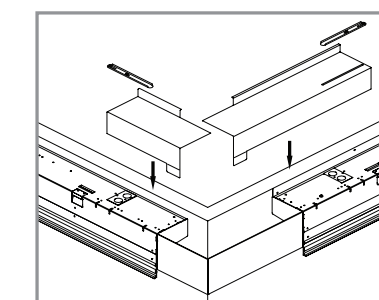
Step 1: Measure distance A and B to determine cut lengths.



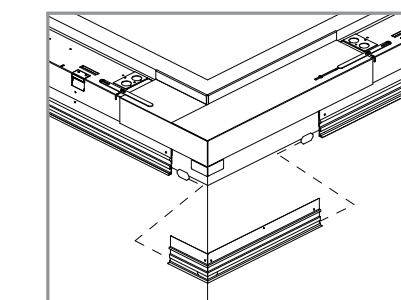
Step 2: Cut (2) mitered rails, and (2) end plates to dimension A and B from Step 1.



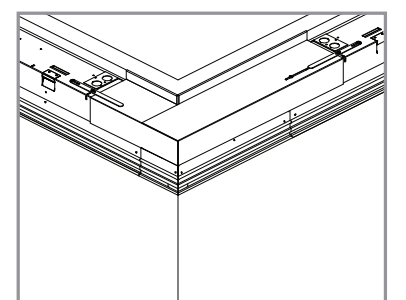
Step 3: Attach end plates to incoming rows.



Step 4: Secure top cover to housing with provided bracket. If necessary, trim top cover to allow electrical access.



Step 5: Assemble mitered rails using 90° biscuit. Attach rails to incoming rows using biscuits.

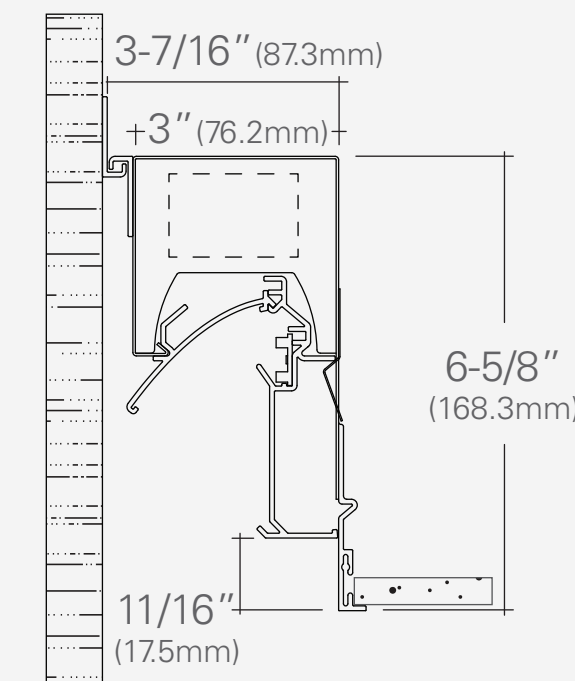


Step 6: Completed installation.



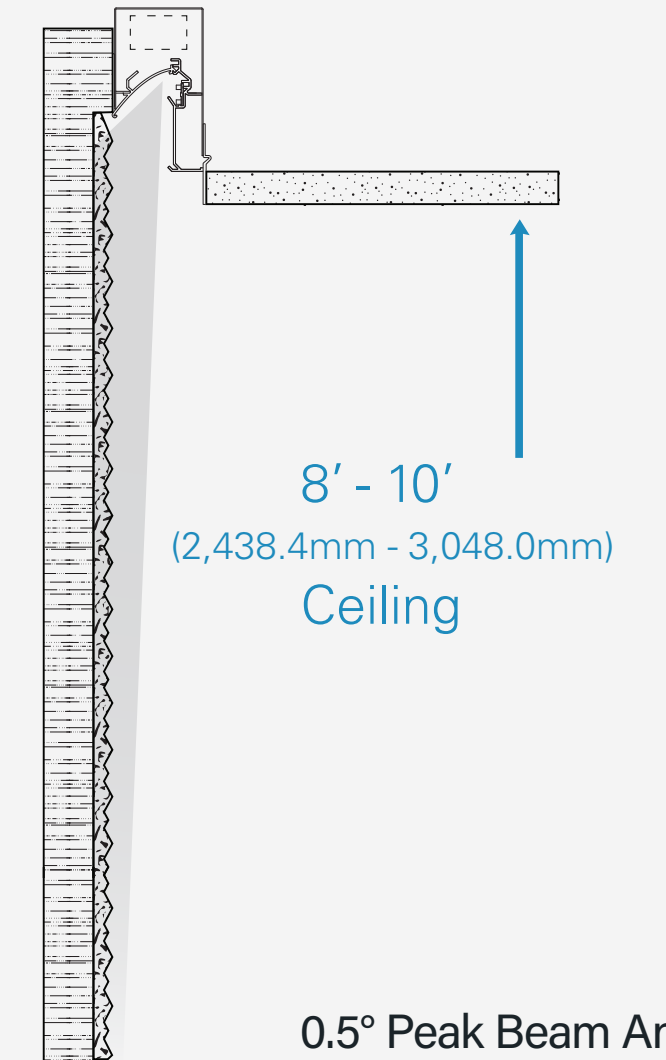
GRAZE A TEXTURE

Utilizing a peak beam angle of 0.5 degrees, the innovative LED reflector system minimizes the bright spot at the top of the wall. This affords 13:1 wall uniformity that performs better than the competition, which can go as high as over 100:1. Specify with end fillers or inside and outside corners to completely wrap textured walls with light.



EDGE EVOLUTION WALL GRAZER

Part: EV3WG-35HO
Light Level (fc): 23 fc avg.
Verticals: min. 5 fc, max. 73 fc
13'x10' wall, 154.1 watts





WRAP A CORNER WITH GRAZER

Corner modules enable designers to completely wrap a room with light and create more visual interest and functionality than linear runs alone. Inside and outside corners are offered in both 45° and 90° angles. Each of the corner modules allow for +/- 5 degrees of adjustability to accommodate any wall imperfections. Specify runs to the nearest foot. Non-illuminated corners are slid into place to complete the perimeter solution.

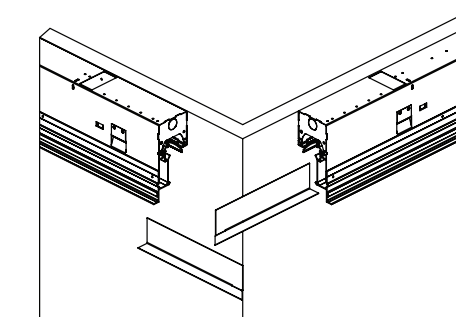
EDGE EVOLUTION WALL GRAZER

Part: EV3WG-35HO

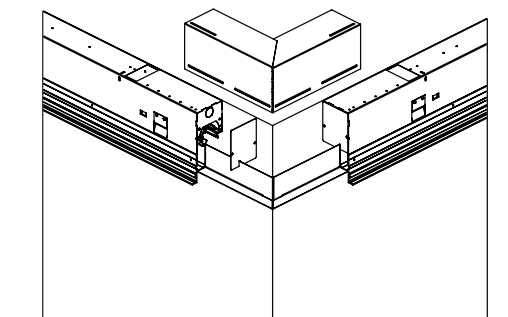
Light Level (fc): 20 fc avg.

Verticals: min. 4 fc, max. 63 fc

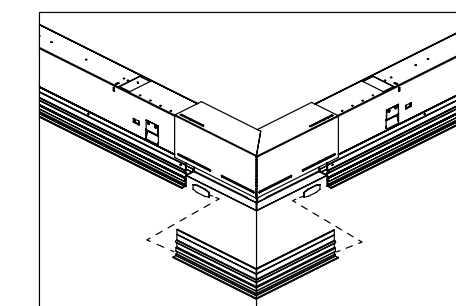
16'x11' wall, 164.4 watts



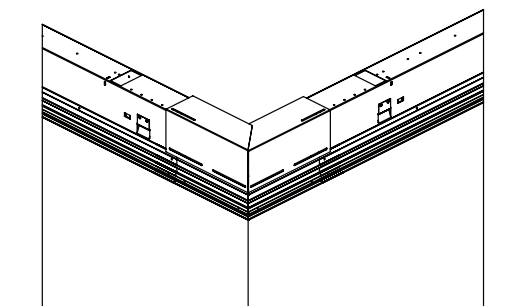
Step 1: Measure distance for fixture to corner for both rows cut reflector pieces to fit and install into rows so they meet in the corner.



Step 2: Attach end plates and top covers to fixtures.



Step 3: Using the measurements from step 1, cut rail pieces to proper length, create the corner using the corner biscuit and join rails to fixtures.

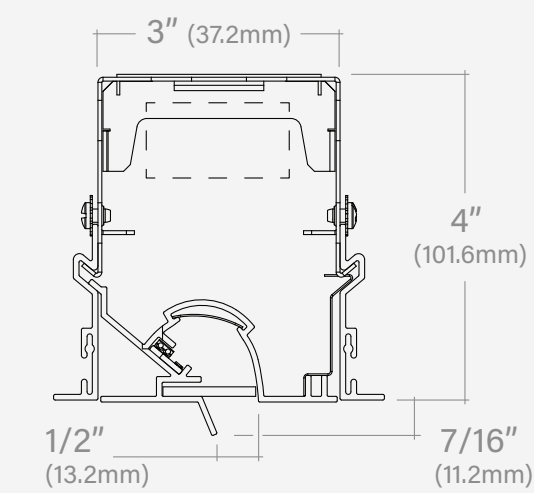


Step 4: Completed installation prior to ceiling installation.

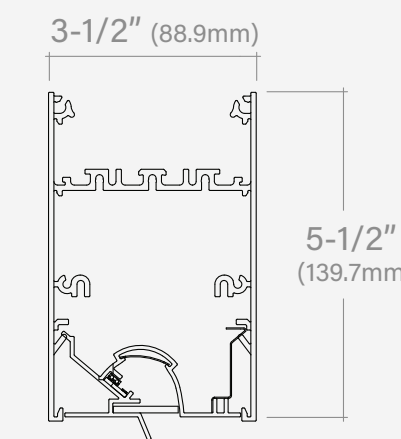


WASH A WALL

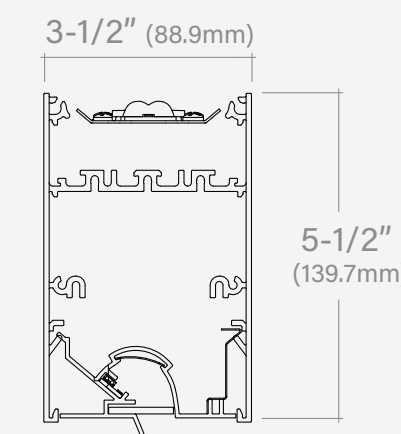
An efficient three piece reflector system allows the Wall Wash to be mounted closer to the wall than our previous linear fluorescent version and provides an impressive 7:1 wall uniformity. Reducing the kicker to only 1/2" minimizes the disruption to the ceiling plane, making the fixture almost unnoticeable. The Wall Wash is also available in suspended, direct and bidirectional housings to highlight art work or architectural features.



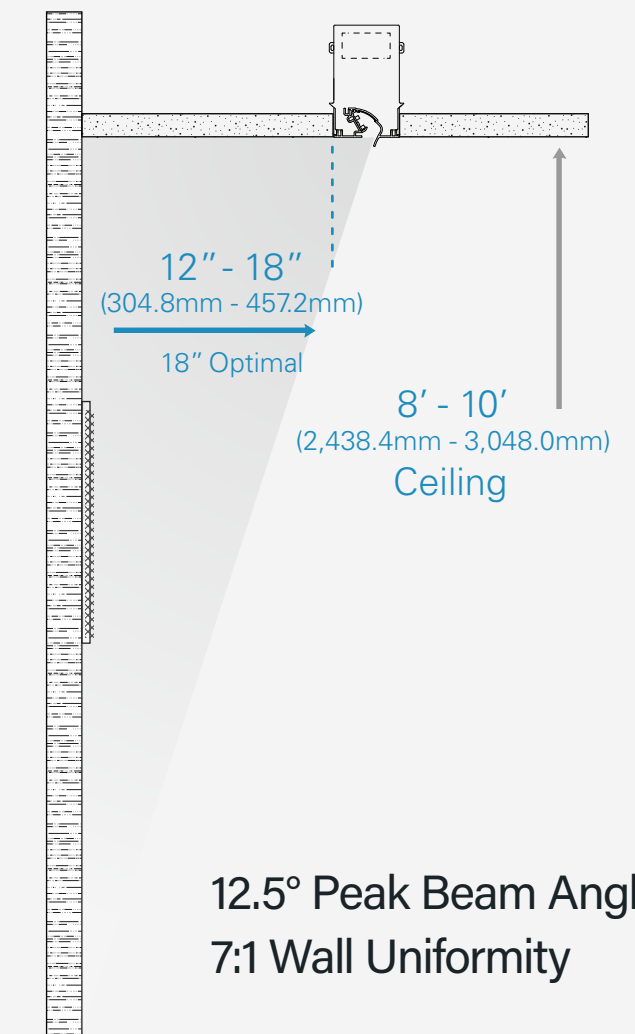
EV WW
Recessed



EX3D WW
Direct



EX3DI WW
Direct/Indirect



EDGE EVOLUTION WALL WASH

Part: EX3D-WW-835HO
Light Level (fc): 36 fc avg.
Verticals: min. 19 fc, max. 59 fc
 6'x4' wall, 41.6 watts



P I N N A C L E
ARCHITECTURAL LIGHTING®

3801 Havana St. Denver CO, 80239

Phone: 303.322.5570

www.pinnacle-ltg.com

July 2023

© 2023 Pinnacle Architectural
Lighting®

Specifications and dimensions subject to change without notice. Specification sheets and brochures that appear on pinnacle-ltg.com are the most recent version and supersede all other previously printed or electronic versions.