



COVE

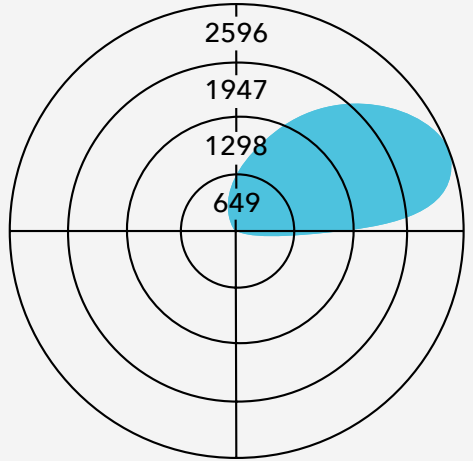


THE DETAILS

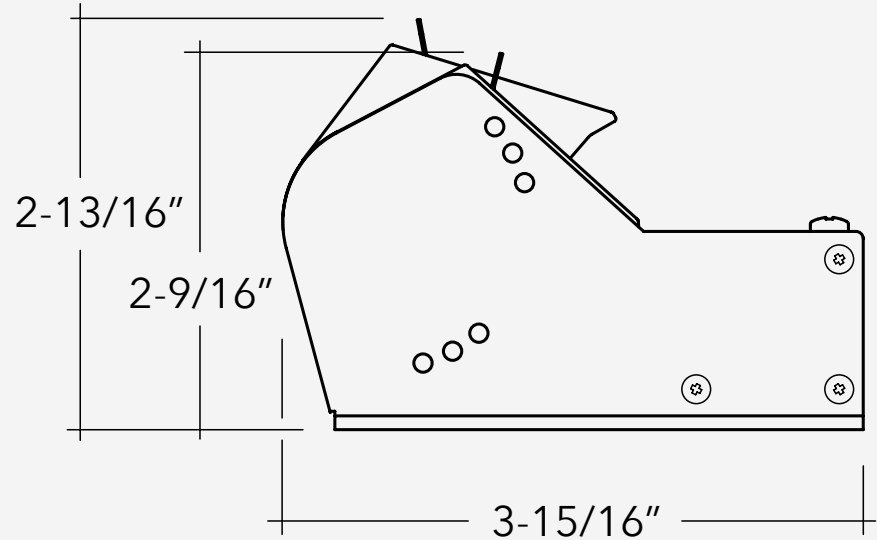


COVE is available in 2', 3', 4', 6', and 8' individual lengths, but it is also field-connectable for continuous runs and adjacent corners within the soffit.

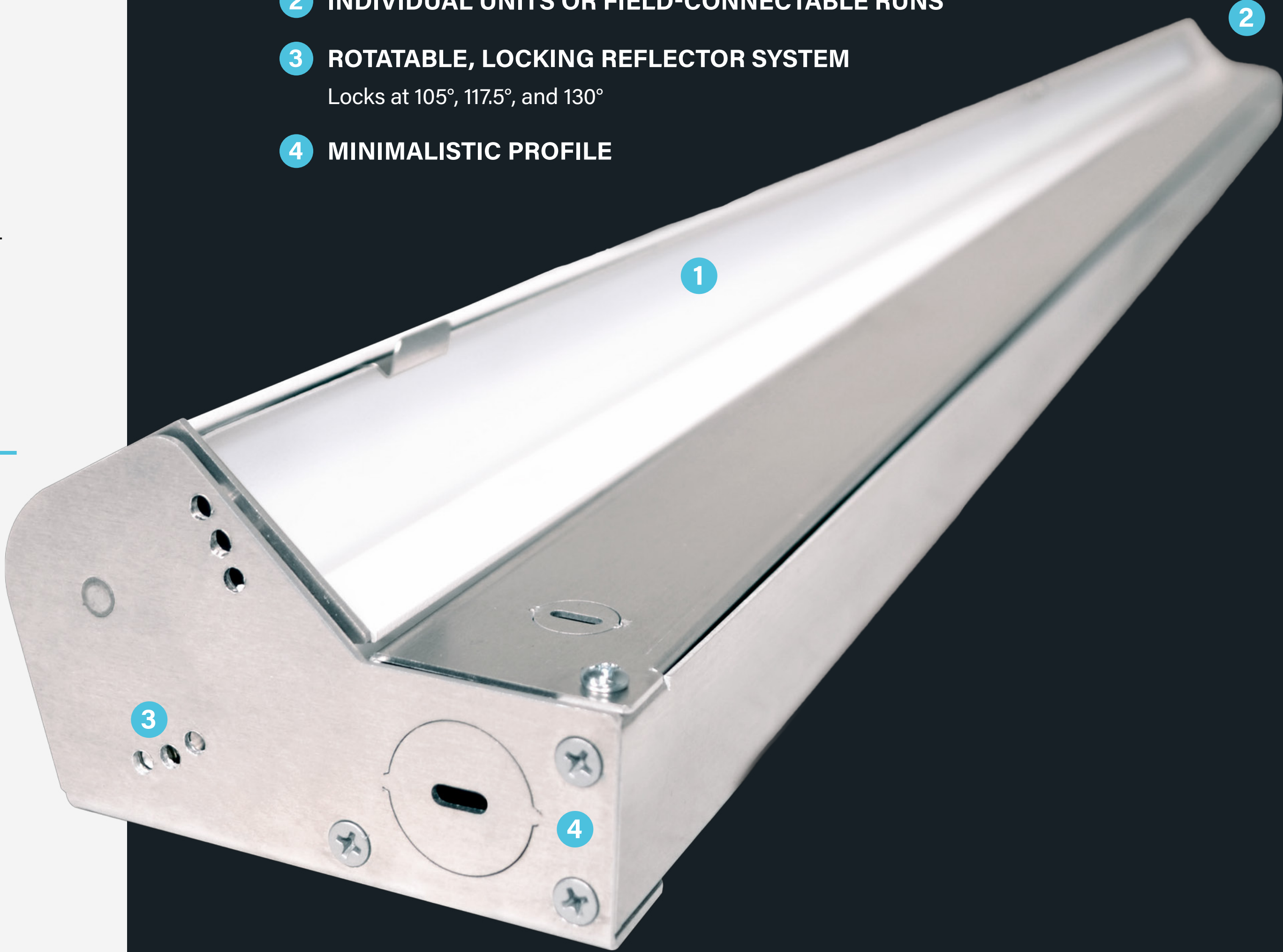
The extruded aluminum reflector is part of a larger, locking reflector system for adjustability in the field.



*reflector system at 105°



- 1 EXTRUDED ALUMINUM REFLECTOR
- 2 INDIVIDUAL UNITS OR FIELD-CONNECTABLE RUNS
- 3 ROTATABLE, LOCKING REFLECTOR SYSTEM
Locks at 105°, 117.5°, and 130°
- 4 MINIMALISTIC PROFILE





INDIRECTLY ILLUMINATE

Pinnacle Architectural Lighting presents the updated, revolutionary COVE – a well-defined fixture that indirectly illuminates your design. While COVE lighting in itself may not be revolutionary, Pinnacle Architectural Lighting's offering now gives you access to the best LED indirect lighting source in the industry.

PRACTICAL LIGHT

Pinnacle's COVE allows for a soft, practical LED light to project in to the space without any glare from the hidden source. Standard mounting allows this minimalistic fixture to easily install into the smallest soffit while still giving off a smooth luminosity.





P I N N A C L E
ARCHITECTURAL LIGHTING®

3801 Havana St. Denver CO, 80239

Phone: 303.322.5570

www.pinnacle-ltg.com

December 2020

© 2020 Pinnacle Architectural
Lighting®

Specifications and dimensions subject to change without notice. Specification sheets and brochures that appear on pinnacle-ltg.com are the most recent version and supersede all other previously printed or electronic versions.