

CONSTRUCTION Extruded aluminum housing in a 8-3/4" by 2-7/8" profile. Standard 4'-0" and 8'-0" fixtures can be joined to create continuous runs.

REFLECTOR Standard high reflectance die-formed white painted aluminum. Specular Reflector included.

ENDPLATES Precision fabricated steel endplates are fastened with concealed hardware.

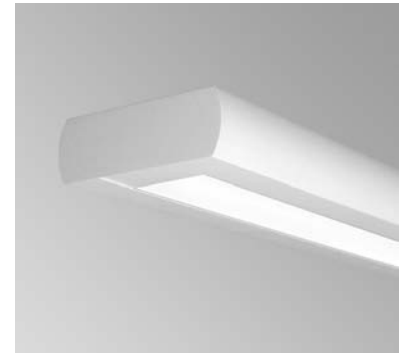
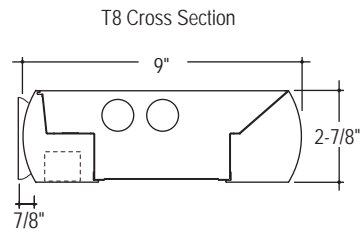
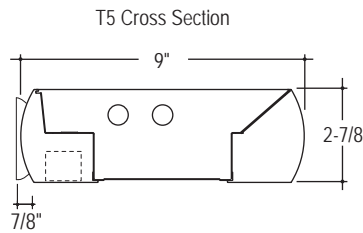
LENS Satine Lens is .125" diffuse acrylic with matte finish.

ELECTRICAL T5, T5HO: Program start 120/277 volt integral electronic ballast with less than 10% THD. T8: Instant start 120/277 volt electronic ballast with less than 10% THD. Through wiring with quick connects standard. Standard single circuit. Each ballast provided with disconnects to meet luminaire disconnect code requirement.

MOUNTING Fixture is mounted to structure mounted over a switch box using an adjustable bracket.

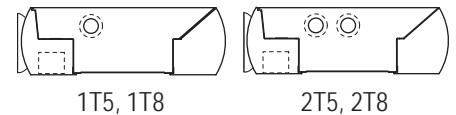
FINISH Standard powder-coat white painted finish. Consult factory for custom color and finish options.

LABELS UL and cUL Listed and approved for dry/damp location.



STANDARD LIGHT DISTRIBUTION
 Direct: 20%; Indirect: 80%

Lamp Options



LUMINAIRE SPECIFICATION

Sample Catalog #: R9A-1T5-32'-WA-120-1C-W

PRODUCT	LAMPS	LENGTH	MOUNTING	VOLTAGE	CIRCUITING	FINISH	OPTIONS
R9A- Ridge Direct/Indirect indoor luminaire with satine lens	1T5- (1) 28W T5 2T5- (2) 28W T5 1T5HO- (1) 54W T5HO 2T5HO- (2) 54W T5HO 1T8- (1) 32W T8 2T8- (2) 32W T8	Individual Units 4- 4' 8- 8' Continuous Runs xx'- Specify nominal overall row length in 4' increments	WA- Wall Mount	120 - 120V 277 - 277V 347 - 347V ¹ UNV - UNV ² (120/277)	1C- Single Circuit 2C- Dual Circuit ^{3,4} 1D- Single Circuit Dimming ⁴ 2D- Dual Circuit Dimming ^{3,4} 1E- Single Circuit with Emergency Circuit ⁴ 2E- Dual Circuit with Emergency Circuit ^{3,4} 1B- Single Circuit with Battery Pack ⁴ 2B- Dual Circuit with Battery Pack ^{3,4}	W- Matte White CC- Custom Color	DG- Dust Guard (Covers top of luminaire)

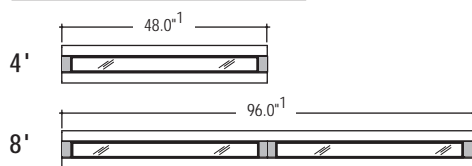
¹Consult factory for 347 volt ballast.

²Not available for use with a battery pack.

³Dual circuit available for 2 (side-by-side) lamp configurations.

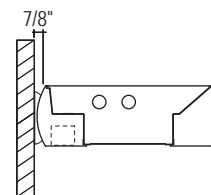
⁴Some Ridge configurations are not available for all circuiting options. Consult factory.

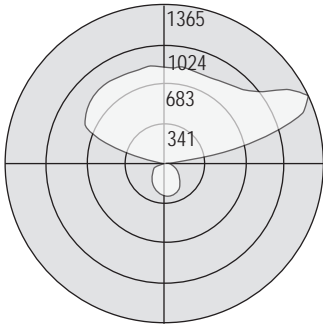
Individual luminaires



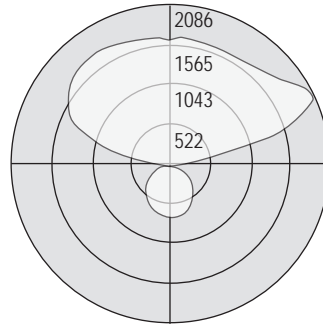
¹Add 1/8" for each end plate or 1/4" to the overall length of the row.

Mounting Detail





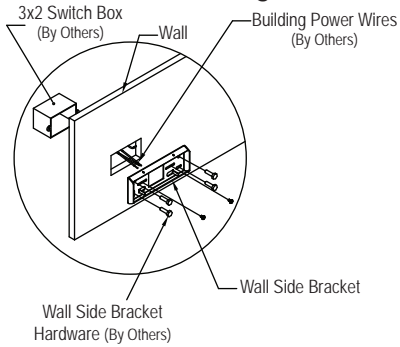
Test #: 203481
 Part #: R9A-1T5HO-WA
 Total Luminaire Efficiency: 91.2%
 Direct: 20%; Indirect: 80%



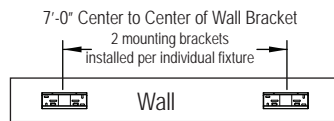
Test #: 203484
 Part #: R9A-2T5HO-WA
 Total Luminaire Efficiency: 89.9%
 Direct: 20%; Indirect: 80%

● MOUNTING DETAIL

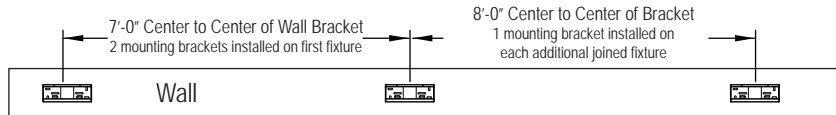
Wall Side Mounting



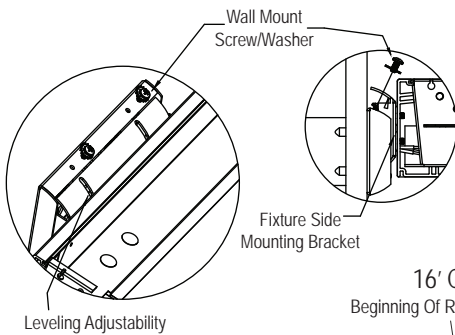
8' Individual Fixture Example



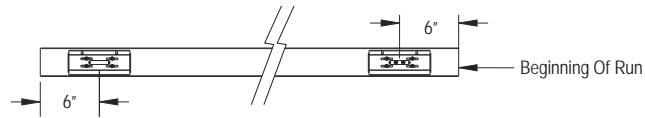
16' Continuous Run Example (2-8' fixture joined)



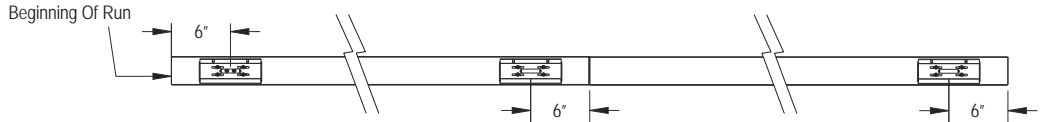
Fixture Side Mounting



8' Individual Fixture Example



16' Continuous Run Example (2-8' fixture joined)



● STANDARD ROW CONFIGURATION

Pinnacle Architectural Lighting utilizes standard row configurations for continuous runs. Please consult factory if a project requires non-standard row configurations.

Individual Length	Nominal Row Length																			
	4	8	12	16	20	24	28	32	36	40	44	48	52	56	60	64	68	72	76	80
4'	1		1		1		1		1		1		1		1		1		1	
8'		1	1	2	2	3	3	4	4	5	5	6	6	7	7	8	8	9	9	10