

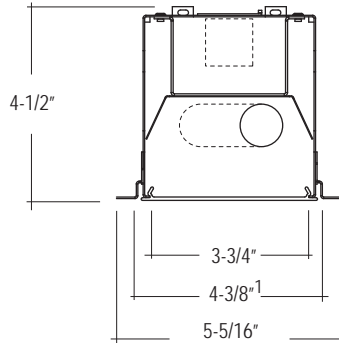
CONSTRUCTION Formed cold rolled steel housing. Highly reflective die-formed white painted steel reflector. .125" diffuse snap-in acrylic lens with matte finish, removable for lamp replacement.

ELECTRICAL Standard instant start UL listed Class P, T8 electronic, Sound Rated A, thermally protected, high power factor ballasts less than 10% THD Universal voltage (120/277). Through wiring with quick connects standard. Standard single circuit. Integral battery packs with remote test switch are provided with 1B option. Each ballast provided with disconnects to meet luminaire disconnect code requirement.

MOUNTING Edge is designed to install into acoustical grid and inaccessible ceilings. Specify GXG, FLF, SFS, NFN for Individual, unjoinable units (individual units will fall on-grid). Specify GX, FL, SF, NF for continuous rows (Rows fall on-grid). Consult factory for detailed installation instructions.

FINISH Standard powder-coat textured white painted finish on exposed trim, consult factory for custom colors.

LABELS UL and cUL Listed, approved for dry/damp location unless otherwise noted.



¹Rough-in width is 4-5/8" for inaccessible ceilings. Must mount through top of fixture. See installation instructions for further details. Specification Sheets should not be used for installation.

LUMINAIRE SPECIFICATION

Sample Catalog #: E4SA-1T8-24'-FL-120-1C-W

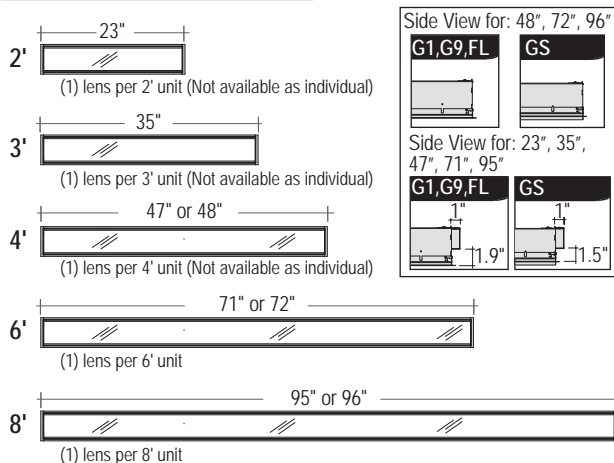
E4SA- 1T8-

HOUSING	LAMPS	LENGTH	MOUNTING ¹	VOLTAGE	CIRCUITING	FINISH	OPTIONS
E4SA- Edge 4 Staggered Lamp recessed with Acrylic Lens	1T8- (1) T8	Individual Units² 2- 2' Not available as individual 3- 3' Not available as individual 4- 4' Not available as individual 6- 6' 8- 8' Continuous Runs³ xx'- Specify nominal overall row length in 1' increments		120- 120 V 277- 277 V 347- 347 V ⁵ UNV-UNV ⁵ (120/277)		W- Matte White CC- Custom Color	PM- Perimeter Mount ⁷ RC- Rotating Crossbar ⁸ CP- Chicago Plenum CL- Illuminated Connector ⁹
INDIVIDUAL UNITS (CANNOT BE JOINED)²		CONTINUOUS RUNS (JOINABLE)³					
Acoustical Grid Ceiling		Inaccessible Ceiling					
G1G- 1" Ceiling Grid		FLF- Standard 1/2" Flange					
G9G- 9/16" Ceiling Grid		SFS- Spackle Flange					
GSG- Screw Slot Ceiling Grid		NFN- Flangeless ⁴					
Acoustical Grid Ceiling		Inaccessible Ceiling					
G1- 1" Ceiling Grid		FL- Standard 1/2" Flange					
G9- 9/16" Ceiling Grid		SF- Spackle Flange					
GS- Screw Slot Ceiling Grid		NF- Flangeless ⁴					

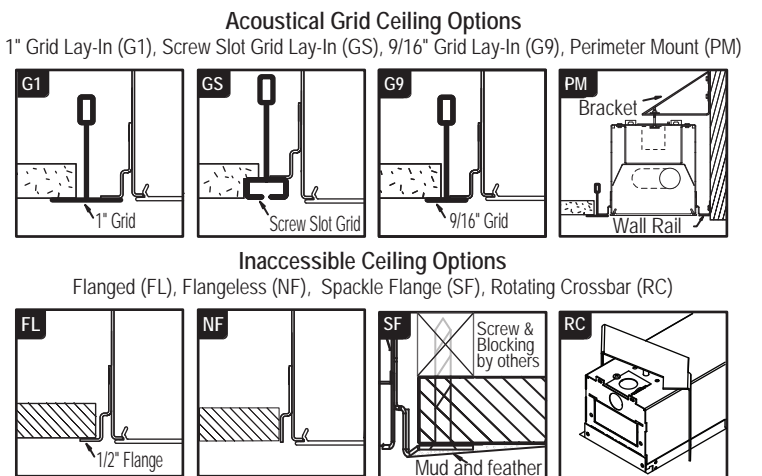
¹See below for mounting detail. Consult factory for regular edged tiles.
²Individual units cannot be joined. All end trims are factory installed and cannot be removed in the field. Individual fixtures designed to fall on-grid.
³Continuous runs are designed to fall on-grid with acoustical grid ceilings.
⁴NF and NFN to be utilized for metal pan / millwork ceiling.
⁵347 volt and UNV not available with battery packs.

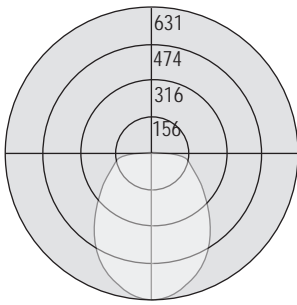
⁶Some Edge configurations will not accommodate all electrical options. Consult factory.
⁷Available for acoustical grid ceilings. Wall rail painted white unless otherwise specified.
⁸1/2" to 5/8" drywall thickness. Available for standard 1/2" flange (FL).
⁹Add CL to all fixture types involved in the connector layout. See back page for additional information.
¹⁰Integral battery packs with remote test switch are provided with 1B option.

Individual Luminaires¹



Mounting Detail



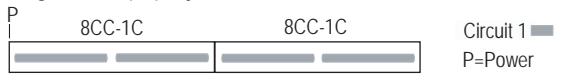


Test# 203095
 Lamps: (1) 32W T8
 Total Efficiency: 58%

FEATURES AND OPTIONS

• CIRCUITING

Single Circuit (1C) Layout



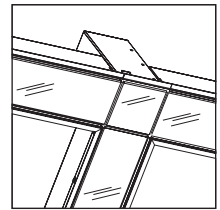
Circuit 1 ■
 P=Power

Single Circuit with Emergency Circuit (1E) Layout



Circuit 1 ■
 EC Circuit ▨
 P=Power

• ILLUMINATED CONNECTOR

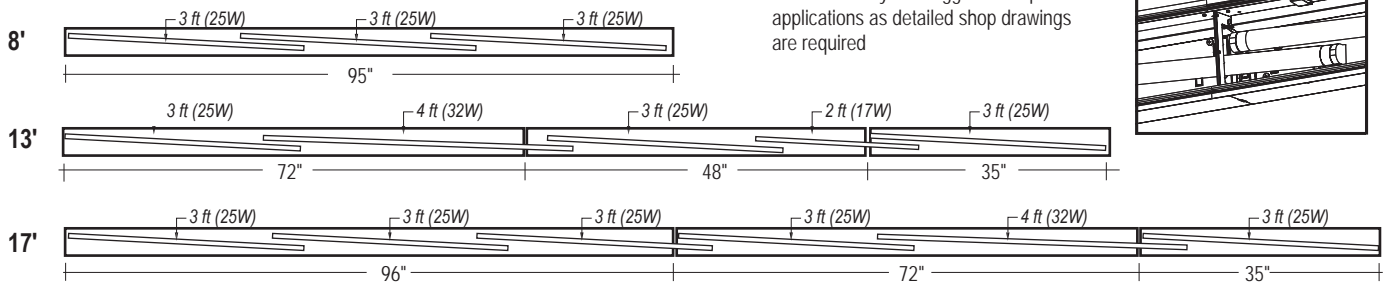


APPLICATION: The patent pending connector carries a low wattage PL lamp for seamless layouts while offering limitless system configurations. Recommended for gypsum board or inaccessible ceilings using the standard 1/2" flange mount (FL).

CONSTRUCTION: Formed cold rolled steel housing. The height is 10.25" and width is 4.40". T5 utilizes a 7 watt PL lamp and T5HO utilizes a 13 watt PL lamp. Connector cannot be dimmed. Factory submittal drawings required.

ORDERING INFORMATION: Specify Illuminated Connector (CL) in the options section of the part number. Sample Catalog #: E4SA-1T8-24-FL-120-1C-W-CL.

• STAGGERED LAMP ROW EXAMPLES



Consult factory for staggered lamp applications as detailed shop drawings are required

