

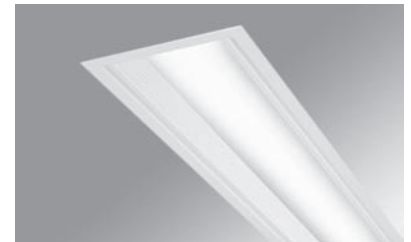
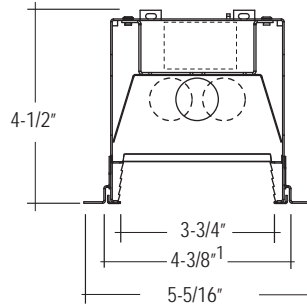
CONSTRUCTION Formed cold rolled steel housing. Highly reflective die-formed white painted steel reflector, .125" diffuse acrylic lens with matte finish, removable for lamp replacement. Continuous ripple pattern extruded aluminum trim painted white unless otherwise specified.

ELECTRICAL Standard instant start UL listed Class P, T8 electronic, Sound Rated A, thermally protected, high power factor ballasts less than 10% THD Universal voltage (120/277). Through wiring with quick connects standard. Standard single circuit. Integral battery packs with remote test switch are provided with 1B and 2B option. Each ballast provided with disconnects to meet luminaire disconnect code requirement.

MOUNTING Edge is designed to install into acoustical grid and inaccessible ceilings. Specify GXG, FLF, SFS, NFN for Individual, unjoinable units (individual units will fall on-grid). Specify GX, FL, SF, NF for continuous rows (Rows fall on-grid). Consult factory for detailed installation instructions.

FINISH Standard powder-coat textured white painted finish on exposed trim, consult factory for custom colors.

LABELS UL and cUL Listed, approved for dry/damp location unless otherwise noted.



¹Rough-in width is 4-5/8" for inaccessible ceilings. Must mount through top of fixture. See installation instructions for further details. Specification Sheets should not be used for installation.

LUMINAIRE SPECIFICATION

Sample Catalog #: E4R-1T8-24'-FL-120-1C-W

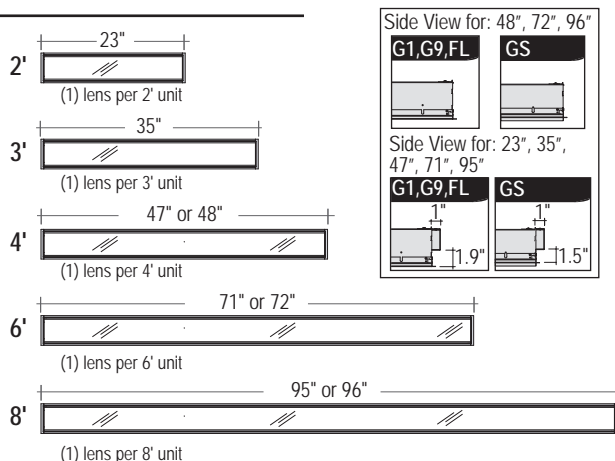
E4R- _T8- _'- _- _- _- _-

HOUSING	LAMPS	LENGTH	MOUNTING ¹	VOLTAGE	CIRCUITING	FINISH	OPTIONS
E4R- Edge 4 recessed with Regress Lens	1T8- (1) T8 2T8- (2) T8	Individual Units ² 2- 2' 1 or 2-17W 3- 3' 1 or 2-25W 4- 4' 1 or 2-32W 6- 6' 2 or 4-25W 8- 8' 2 or 4-32W Continuous Runs ³ XX'- Specify nominal overall row length in 1' increments		120- 120 V 277- 277 V 347- 347 V ⁵ UNV-UNV ⁵ (120/277)		W- Matte White CC- Custom Color	PM- Perimeter Mount ⁷ RC- Rotating Crossbar ⁸ M_ - MR16 Lamp ⁹ CP- Chicago Plenum
		INDIVIDUAL UNITS (CANNOT BE JOINED) ² Acoustical Grid Ceiling G1G- 1" Ceiling Grid G9G- 9/16" Ceiling Grid GSG- Screw Slot Ceiling Grid	CONTINUOUS RUNS (JOINABLE) ³ Acoustical Grid Ceiling G1- 1" Ceiling Grid G9- 9/16" Ceiling Grid GS- Screw Slot Ceiling Grid				1C- Single Circuit 2C- Dual Circuit ⁶ 1D- Single Circuit Dimming ⁶ 2D- Dual Circuit Dimming ⁶ 1B- Single Circuit with Battery Pack ^{6,10} 2B- Dual Circuit with Battery ^{6,10} 1E- Single Circuit with Emergency Circuit ⁶ 2E- Dual Circuit with Emergency Circuit ⁶
		Inaccessible Ceiling FLF- Standard 1/2" Flange SFS- Spackle Flange NFN- Flangeless ⁴	Inaccessible Ceiling FL- Standard 1/2" Flange SF- Spackle Flange NF- Flangeless ⁴				

¹ See below for mounting detail. Consult factory for regular edged tiles.
² Individual units cannot be joined. All end trims are factory installed and cannot be removed in the field. Individual fixtures designed to fall on-grid.
³ Continuous runs are designed to fall on-grid with acoustical grid ceilings.
⁴ NF and NFN to be utilized for metal pan / millwork ceiling.
⁵ 347 volt and UNV not available with MR16 and battery packs.

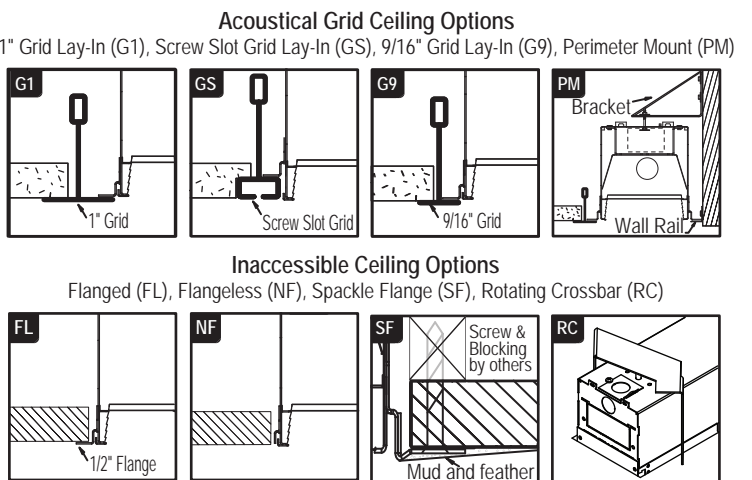
⁶ Some Edge configurations will not accommodate all electrical options. Consult factory.
⁷ Available for acoustical grid ceilings. Wall rail painted white unless otherwise specified.
⁸ 1/2" to 5/8" drywall thickness. Available for standard 1/2" flange (FL).
⁹ See back page for Layout and Ordering Information.
¹⁰ Integral battery packs with remote test switch are provided with 1B and 2B options.

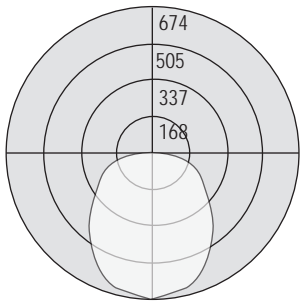
Individual Luminaires¹



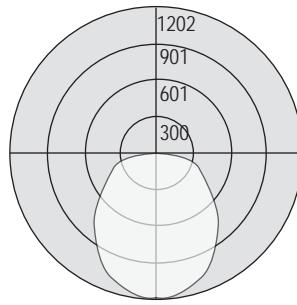
¹ Acoustical Grid Ceiling and Inaccessible Ceilings available as individual units or continuous rows. Individual units and rows are available for on-grid installation with acoustical ceilings.

Mounting Detail



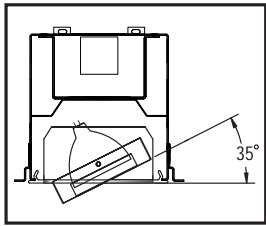


Test# 203095
Lamps: (1) 32W T8
Total Efficiency: 58.8%



Test# 203098
Lamps: (2) 32W T8
Total Efficiency: 50.9%

FEATURES AND OPTIONS



APPLICATION: EDGE 4 offers both task and accent lighting when used with MR16 lamps. MR16's are ideal for conference rooms, corridors, wall washing, retail spaces and training facilities.

TECHNICAL: MR16 fully enclosed compartment eliminates light from entering into other fixture areas. Available in 20, 35 and 50 watt halogen lamps (lamps not included). Consult factory for other lamp types. Lamp tilts to 35 degrees left or right with 179 degree rotation.

ELECTRICAL: Standard 50 watt max halogen lamp transformer. MR16 installed as independent circuit. MR16 voltage to match fluorescent voltage. Universal voltage and 347 volt not available.

LENS: MR16 available in 5 different lens options: Clear Lens (LC), Prismatic Lens (LP), Linear Spread Lens (LL), Diffuse Spread Lens (LD) and Frosted Lens (LF). Clear lens provided with each MR16.

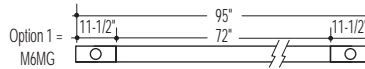
LABELS: UL and cUL Listed, approved for dry/damp location unless otherwise noted.

ORDERING INFORMATION: Specify MR16 layout and lens in the options section of the part number. See below for layout options. Sample Catalog #: E4R-1T8-2-FL-120-1C-S-M2/LP.

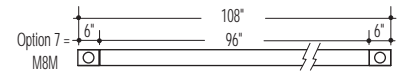
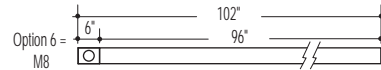
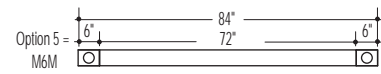
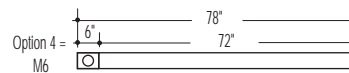
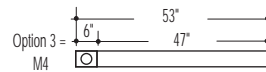
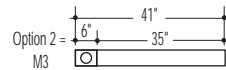
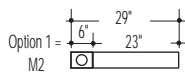
EDGE T8, MR16 LAYOUT OPTIONS¹

¹Consult factory for MR16 applications as detailed shop drawings are required.

On-Grid Solutions Options
(Individual units fall on-grid)

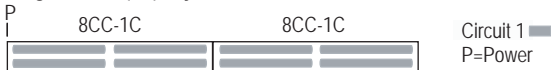


Acoustical Grid and Inaccessible Ceiling Options
(Fixtures do not fall on-grid)



CIRCUITING (shown using 2 lamp cross sections)

Single Circuit (1C) Layout



Dual Circuit (2C) Layout



Dual Circuit with Emergency Circuit (2E) Layout



*Emergency Circuit is not dual circuited

STANDARD ROW CONFIGURATION

Fixture Lengths	Row Length																																										
	2	3	4	5	6	7	8	9	10	11	12	13	14	15	16	17	18	19	20	21	22	23	24	25	26	27	28	29	30	31	32	33	34	35	36	37	38	39	40				
23"	1			1																																							
35"		1		1		1		1		1		1		1		1		1		1		1		1		1		1		1		1		1		1		1		1			
47"			1						1		1						1		1						1		1						1		1					1			
48"						1						1		1						1		1						1		1						1		1					
71"					1								1							1									1									1					
72"							1		1			1				1		1				1		1		1			1				1		1		1		1				
95"								1							1							1		1		1			1					1		1		1		1			
96"										1	1		1	1	1	1	1	1	1	2	2	1	2	2	2	2	2	2	3	3	2	3	3	3	3	3	3	4	4	3	4	4	4