

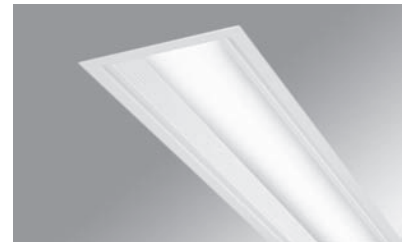
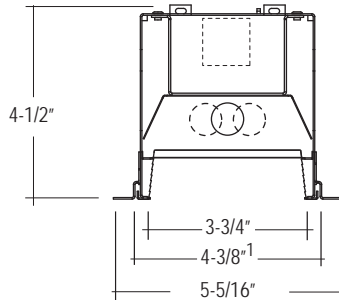
CONSTRUCTION Formed cold rolled steel housing. Highly reflective die-formed white painted steel reflector, .125" diffuse acrylic lens with matte finish, removable for lamp replacement. Continuous ripple pattern extruded aluminum trim painted white unless otherwise specified.

ELECTRICAL Standard programmed start UL listed Class P, T5 electronic, Sound Rated A, thermally protected, high power factor ballasts less than 10% THD, Universal voltage (120/277) with 50/60Hz operation. Through wiring with quick connects standard. Standard single circuit. Integral battery packs with remote test switch are provided with 1B and 2B options. Each ballast provided with disconnects to meet luminaire disconnect code requirement.

MOUNTING Edge is designed to install into acoustical grid and inaccessible ceilings. Specify GXG, FLF, SFS, NFN for Individual, unjoinable units (individual units will fall on-grid). Specify GX, FL, SF, NF for continuous rows (Rows fall on-grid). Consult factory for detailed installation instructions.

FINISH Standard powder-coat textured white painted finish on exposed trim, consult factory for custom colors.

LABELS UL and cUL Listed, approved for dry/damp location unless otherwise noted.



¹Rough-in width is 4-5/8" for inaccessible ceilings. Must mount through top of fixture. See installation instructions for further details. Specification Sheets should not be used for installation.

LUMINAIRE SPECIFICATION

Sample Catalog #: E4R-1T5-24'-FL-120-1C-W

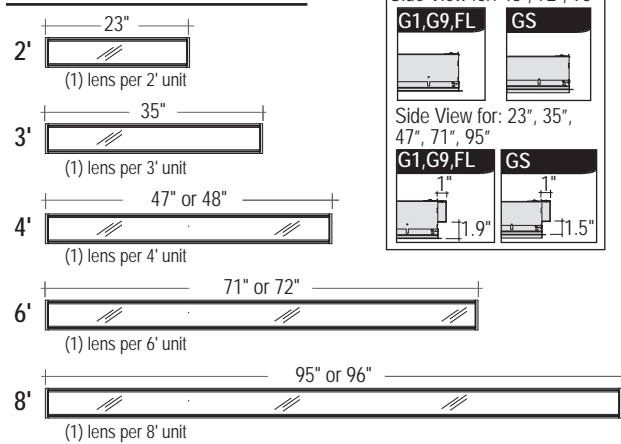
E4R- T5 - - - - -

HOUSING	LAMPS	LENGTH	MOUNTING ¹	VOLTAGE	CIRCUITING	FINISH	OPTIONS
E4R- Edge 4 recessed with Regress Lens	1T5- (1) T5 1T5HO- (1) T5HO 2T5- (2) T5 2T5HO- (2) T5HO	Individual Units² 2- 2' T5: 1 or 2-14W T5HO: 1 or 2-24W 3- 3' T5: 1 or 2-21W T5HO: 1 or 2-39W 4- 4' T5: 1 or 2-28W T5HO: 1 or 2-54W 6- 6' T5: 2 or 4-21W T5HO: 2 or 4-39W 8- 8' T5: 2 or 4-28W T5HO: 2 or 4-54W Continuous Runs³ xx'- Specify nominal overall row length in 1' increments		120- 120 V 277- 277 V 347- 347 V ⁵ UNV-UNV ⁵ (120/277)		W- Matte White CC- Custom Color	PM- Perimeter Mount ⁷ RC- Rotating Crossbar ⁸ M- MR16 Lamp ⁹ CP- Chicago Plenum
		INDIVIDUAL UNITS (CANNOT BE JOINED)² Acoustical Grid Ceiling G1G- 1" Ceiling Grid G9G- 9/16" Ceiling Grid GSG- Screw Slot Ceiling Grid	CONTINUOUS RUNS (JOINABLE)³ Acoustical Grid Ceiling G1- 1" Ceiling Grid G9- 9/16" Ceiling Grid GS- Screw Slot Ceiling Grid				
		Inaccessible Ceiling FLF- Standard 1/2" Flange SFS- Spackle Flange NFN- Flangeless ⁴	Inaccessible Ceiling FL- Standard 1/2" Flange SF- Spackle Flange NF- Flangeless ⁴				
							1C- Single Circuit 2C- Dual Circuit ⁶ 1D- Single Circuit Dimming ⁶ 2D- Dual Circuit Dimming ⁶ 1B- Single Circuit with Battery Pack ^{6,10} 2B- Dual Circuit with Battery ^{6,10} 1E- Single Circuit with Emergency Circuit ⁶ 2E- Dual Circuit with Emergency Circuit ⁶

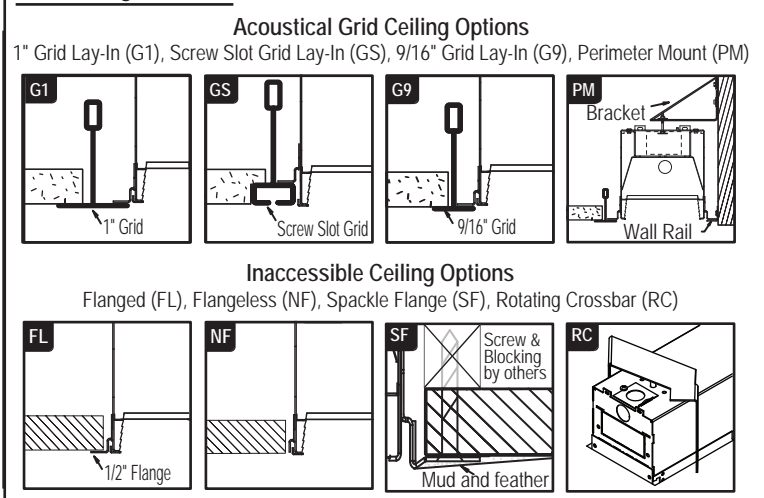
¹See below for mounting detail. Consult factory for regular edged tiles.
²Individual units cannot be joined. All end trims are factory installed and cannot be removed in the field. Individual fixtures designed to fall on-grid.
³Continuous runs are designed to fall on-grid with acoustical grid ceilings.
⁴NF and NFN to be utilized for metal pan / millwork ceiling.
⁵347 volt and UNV not available with MR16 and battery packs.

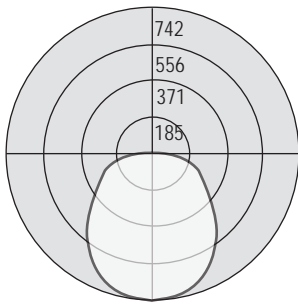
⁶Some Edge configurations will not accommodate all electrical options. Consult factory.
⁷Available for acoustical grid ceilings. Wall rail painted white unless otherwise specified.
⁸1/2" to 5/8" drywall thickness. Available for standard 1/2" flange (FL).
⁹See back page for Layout and Ordering Information.
¹⁰Integral battery packs with remote test switch are provided with 1B and 2B options.

Individual Luminaires¹

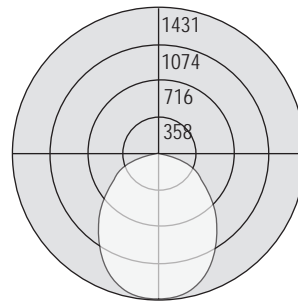


Mounting Detail





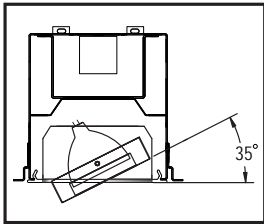
Test# 203093
Lamps: (1) 28W T5
Total Efficiency: 73.2%



Test# 203096
Lamps: (2) 28W T5
Total Efficiency: 68.9%

FEATURES AND OPTIONS

MR16 HALOGEN LAMP



APPLICATION: EDGE 4 offers both task and accent lighting when used with MR16 lamps. MR16's are ideal for conference rooms, corridors, wall washing, retail spaces and training facilities.

TECHNICAL: MR16 fully enclosed compartment eliminates light from entering into other fixture areas. Available in 20, 35 and 50 watt halogen lamps (lamps not included). Consult factory for other lamp types. Lamp tilts to 35 degrees left or right with 179 degree rotation.

ELECTRICAL: Standard 50 watt max halogen lamp transformer. MR16 installed as independent circuit. MR16 voltage to match fluorescent voltage. Universal voltage and 347 volt not available.

LENS: MR16 available in 5 different lens options: Clear Lens (LC), Prismatic Lens (LP), Linear Spread Lens (LL), Diffuse Spread Lens (LD) and Frosted Lens (LF). Clear lens provided with each MR16.

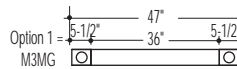
LABELS: UL and cUL Listed, approved for dry/damp location unless otherwise noted.

ORDERING INFORMATION: Specify MR16 layout and lens in the options section of the part number. See below for layout options. Sample Catalog #: E4R-1T5-2-FL-120-1C-S-M2/LP.

EDGE T5, MR16 LAYOUT OPTIONS¹

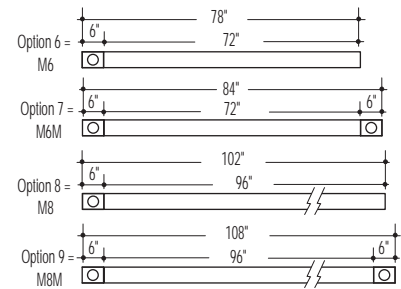
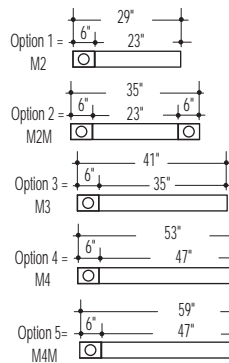
¹Consult factory for MR16 applications as detailed shop drawings are required.

On-Grid Solutions Options
(Individual units fall on-grid)



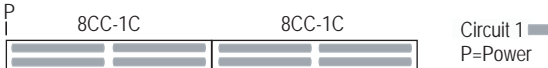
Consult factory for additional MR16 layout options

Acoustical Grid and Inaccessible Ceiling Options
(Fixtures do not fall on-grid)



CIRCUITING (shown using 2 lamp cross sections)

Single Circuit (1C) Layout



Dual Circuit (2C) Layout



Dual Circuit with Emergency Circuit (2E) Layout



*Emergency Circuit is not dual circuited

STANDARD ROW CONFIGURATION

Fixture Lengths	2	3	4	5	6	7	8	9	10	11	12	13	14	15	16	17	18	19	20	21	22	23	24	25	26	27	28	29	30	31	32	33	34	35	36	37	38	39	40				
23"	1			1																																							
35"		1		1		1		1		1		1		1		1		1		1		1		1		1		1		1		1		1		1		1		1		1	
47"			1						1		1						1		1						1		1								1		1						
48"						1						1		1							1		1						1		1						1		1				
71"					1								1								1		1						1										1				
72"								1	1			1				1	1				1				1	1						1	1					1					
95"									1							1								1									1										1
96"											1	1		1	1	1	1	1	1	2	2	1	2	2	2	2	2	3	3	2	3	3	3	3	3	3	4	4	3	4	4	4	