



Standard SORREL Fixtures



- CAC Cable Installation 2
- 90° Connector Installation 3
- “Y” Connector Installation 4
- “X” Connector Installation 5
- Remote Box Details 6
- Lens Details 7



1 LAYOUT

Lay out mounting and J-Box locations.

Mount Spacing

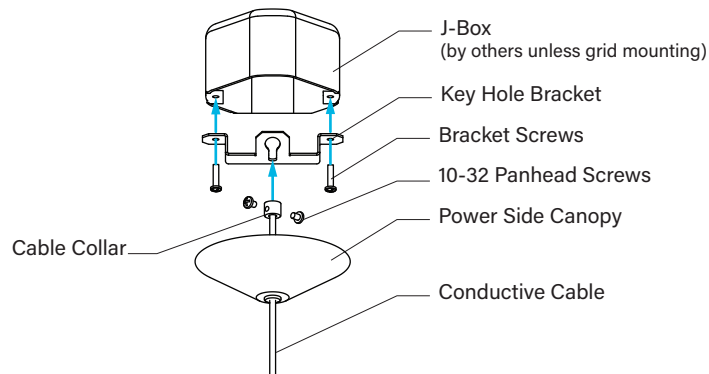
Aircraft Cable Examples

Mount Spacing A		
Mount Spacing B	Mount Spacing C	Mount Spacing B

FIXTURE	A	B	C
2'	25-1/2"	24-3/4"	24"
3'	37-1/2"	36-3/4"	36"
4'	49-1/2"	48-3/4"	48"
5'	61-1/2"	60-3/4"	60"
6'	73-1/2"	72-3/4"	72"
7'	85-1/2"	84-3/4"	84"
8'	97-1/2"	96-3/4"	96"

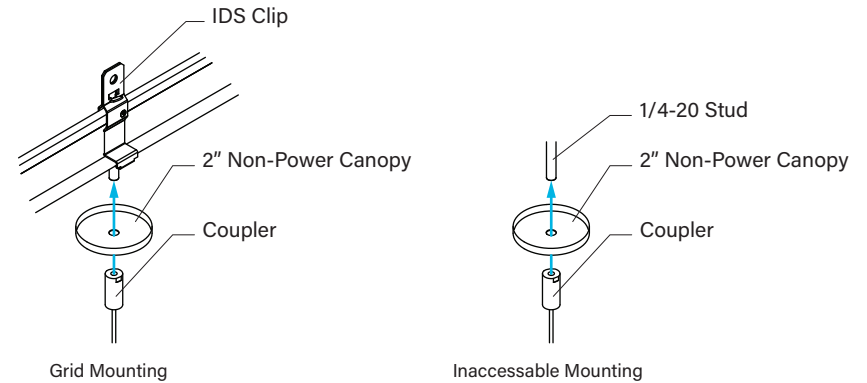
3 POWER SIDE MOUNT

Install key hole bracket to J-Box (*by others*). Run conductive cable through key hole bracket, and make wiring connections inside of J-Box. Use cable collar for adjustment or height and leveling. To adjust unscrew 10-32 panhead screw in collar, adjust to desired height and tighten screws completely to collar. Slide canopy up to ceiling plane.



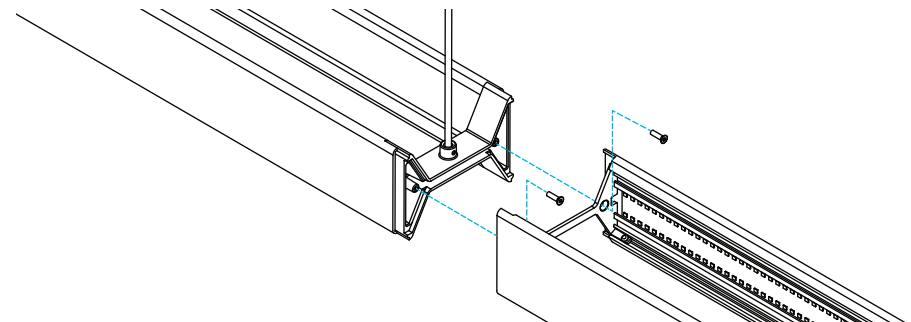
2 NON-POWER MOUNT

Install 1/4-20 stud (*by others*) or IDS clip for non-power mounts (*1/2" below ceiling plane*). Thread AC cable through coupler base and run through side slot of coupler cap. Screw base and cap together. Secure canopy to stud or IDS clip using Coupler. Adjust length of the cable at ceiling coupler and trim excess.



4 JOINING FIXTURES

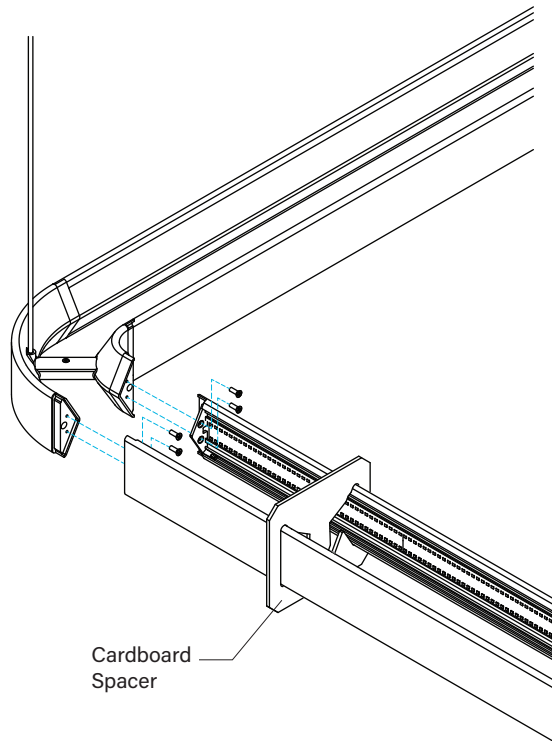
Hang first fixture using steps 2 & 3. Hang one end of second fixture keeping other end supported. Make electrical connections if necessary. Slide fixture ends together and secure together using two supplied phillips head joining screws.



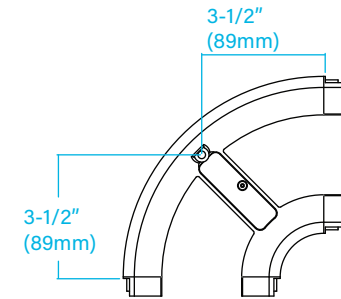


1 90° CONNECTOR

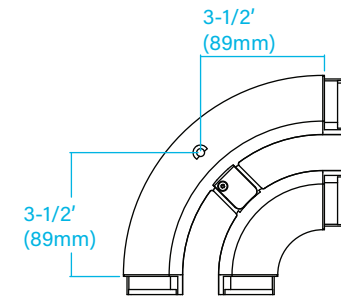
Lay out run and install mounting hardware. *(Note: corner has one mount point.)*
 Make electrical connections between first fixture and connector. Attach connector to first fixture using four supplied joining screws. Hang using power side mount instructions on page 2. Join next fixture using four supplied joining screws *(see additional joining detail on page 2)*. Once fixture is connected to the connector you can remove the cardboard spacer by cutting it off and install lenses.



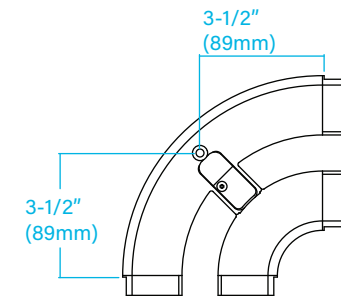
Neutral Connector



Down Connector



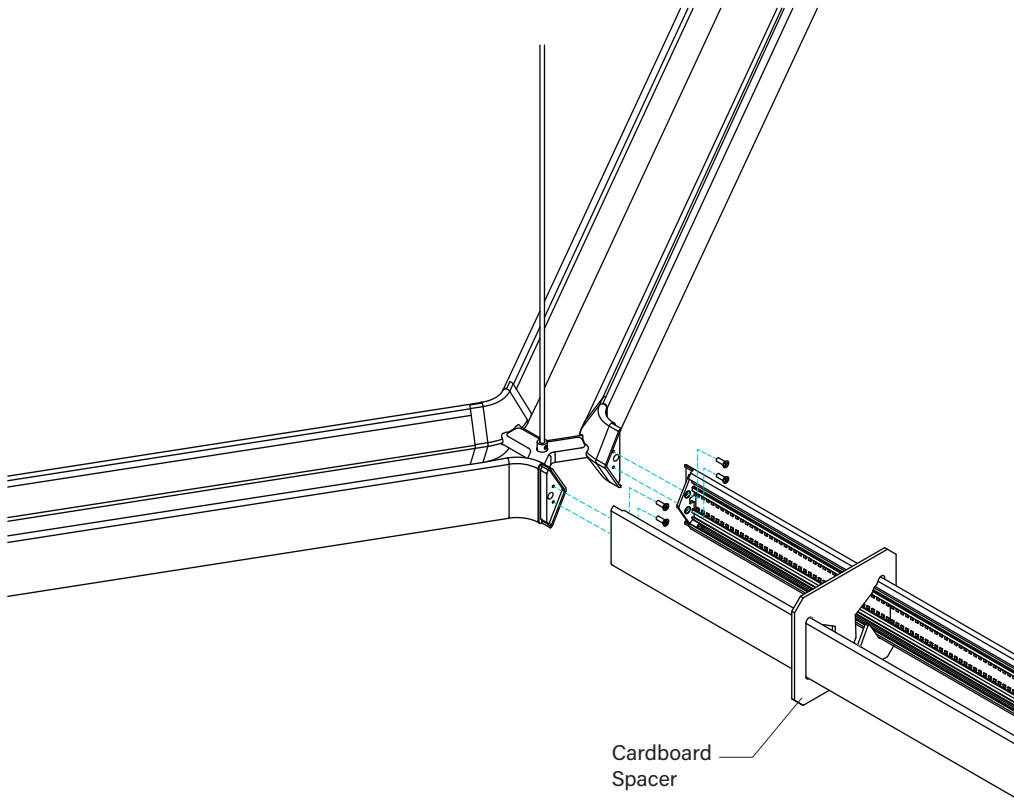
Up Connector



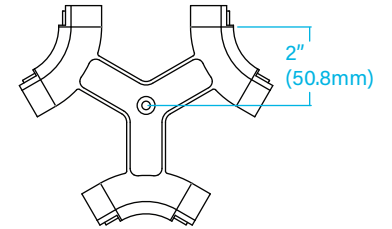


1 Y CONNECTOR

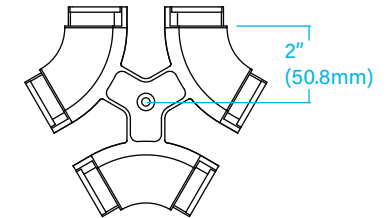
Lay out run and install mounting hardware. *(Note: corner has one mount point.)*
 Make electrical connections between first fixture and connector. Attach connector to first fixture using four supplied joining screws. Hang using power side mount instructions on page 2. Join next fixture using four supplied joining screws *(see additional joining detail on page 2)*. Once fixture is connected to the connector you can remove the cardboard spacer by cutting it off and install lenses.



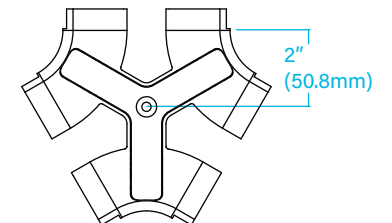
Neutral
Connector



Down
Connector



Up
Connector

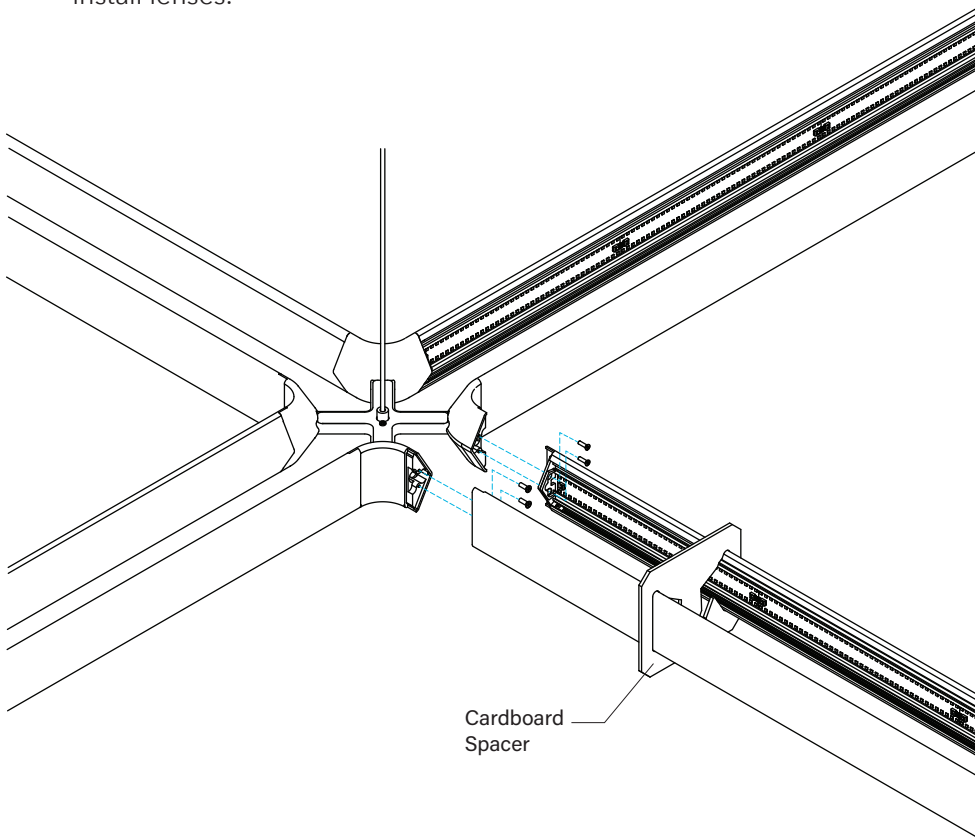


Note: fixtures longer than 4' joined to Y connector will have a center AC cable support

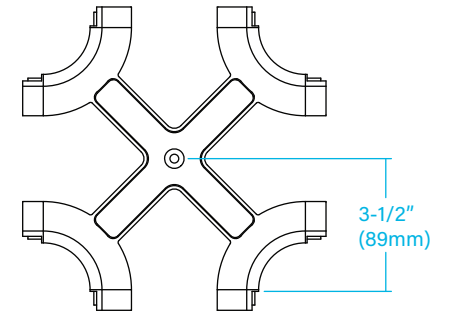


1 X CONNECTOR

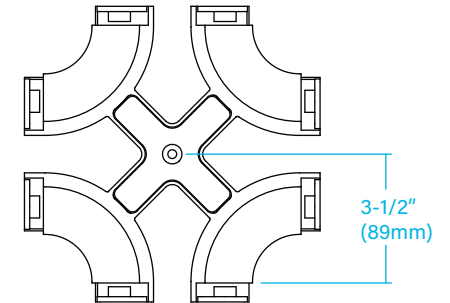
Lay out run and install mounting hardware. *(Note: corner has one mount point.)*
 Make electrical connections between first fixture and connector. Attach connector to first fixture using four supplied joining screws. Hang using power side mount instructions on page 2. Join next fixture using four supplied joining screws *(see additional joining detail on page 2)*. Once fixture is connected to the connector you can remove the cardboard spacer by cutting it off and install lenses.



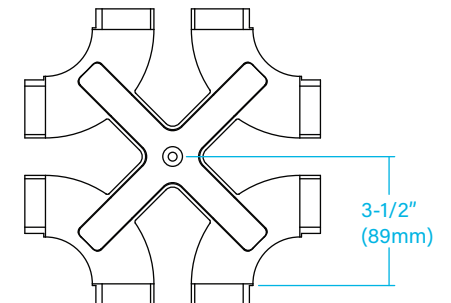
Neutral
Connector



Down
Connector



Up
Connector

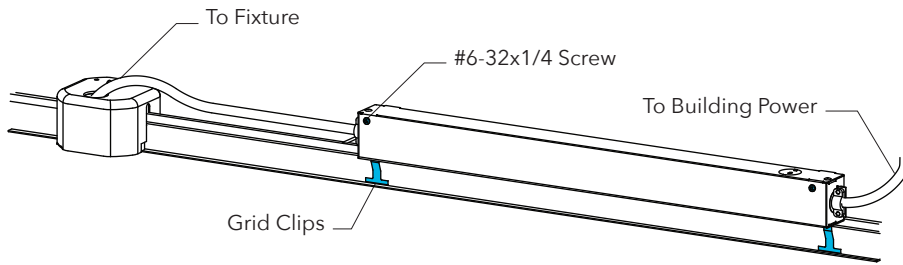


Note: fixtures longer than 4' joined to Y connector will have a center AC cable support



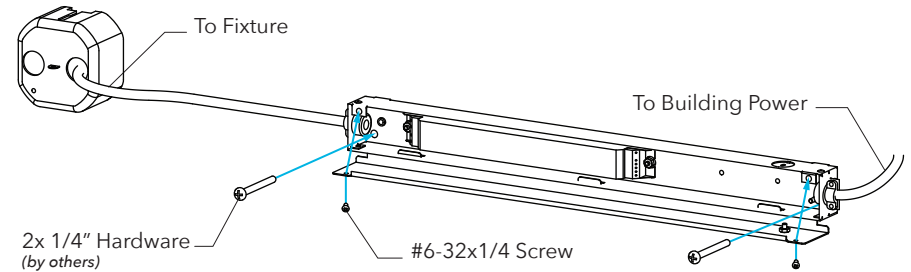
1 SLIM REMOTE BOX TO GRID

Install slim remote driver box onto grid using pre-installed grid clips. To open remote box, remove two #6-32x1/4 screws on top of box. Use 1/2" trade knockout on high voltage side to connect to building power. Use 2' long flexwhip to bring power to J-box.



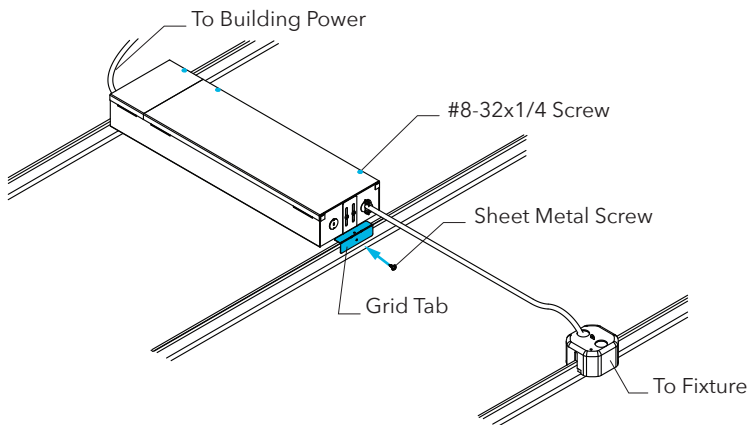
2 SLIM REMOTE BOX TO SURFACE

Remove two grid brackets on back of remote driver box. Open remote driver box by removing two #6-32x1/4 screws on top of box. Install remote driver box to surface using 1/4" mounting hardware (by others). Connect to building power using 1/2" trade knockout on high voltage side. Then connect to J-box using 2' long flex whip.



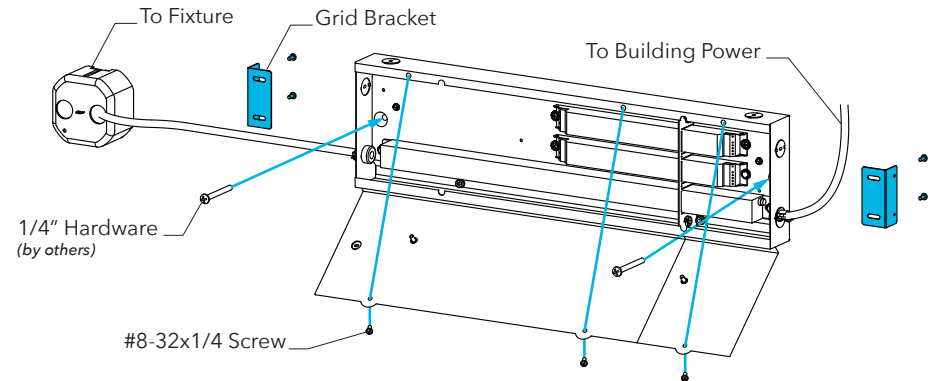
1 STANDARD REMOTE BOX TO GRID

Place remote driver box onto grid and bend grid tabs over securing with a #8 sheet metal screw. To open remote box, remove three #8-32x1/4 screws on top of box. Use 1/2" trade knock out on high voltage side to connect to building power. Use 2' long flex whip to bring power to J-box.



2 STANDARD REMOTE BOX TO SURFACE

Remove grid brackets on sides of remote driver box. Open remote driver box by removing three #8-32x1/4 screws on top of box. Install remote driver box to surface using 1/4" mounting hardware. Use 1/2" trade knock out on high voltage side to connect to building power. Use 2' long flex whip to bring power to J-box.

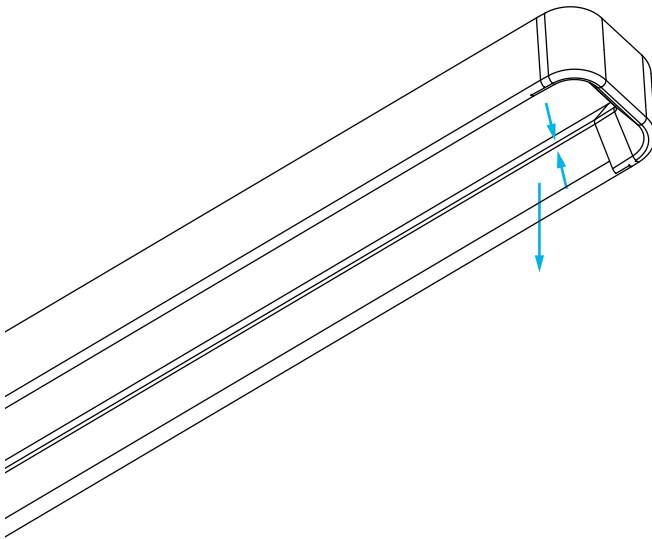


Note: this product can be installed in recessed ceilings if proper access and spacing criteria is met. In recessed or non-recessed installations, keep insulation, building members, and other driver enclosures at least 3 inches (76mm) away from all sides of the enclosure.



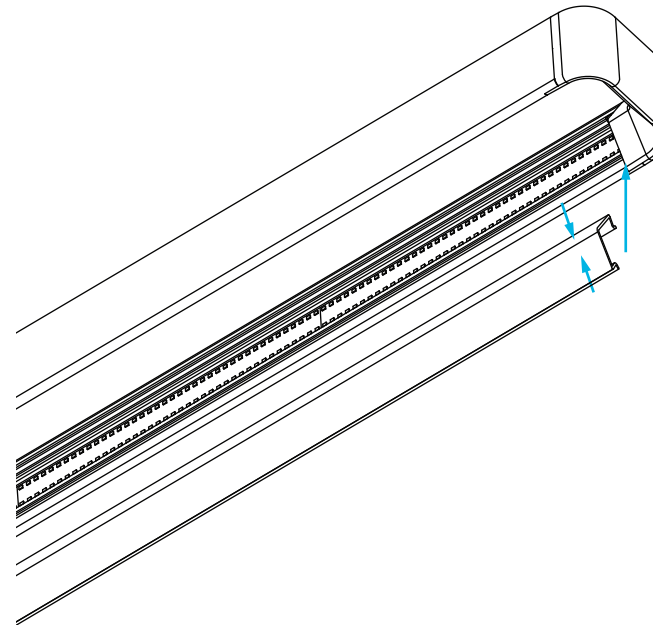
1 LENS REMOVAL

Squeeze lens near end cap and pry away from fixture using a putty knife. Pull down gently while sliding putty knife along the length of lens.



2 LENS INSTALLATION

Beginning at one end, squeeze lens legs together and slide into fixture. Slowly insert rest of lens down the length of the fixture, snapping into place.



DISCLAIMERS

*This product must be installed in accordance with applicable installation and electrical codes by a professional familiar with the construction and operation of the product.
Minimum 90° C supply conductor.
All electrical connections must be performed by a certified electrician to applicable local and national electrical codes.*

*Damaged components must never be used.
Contact Pinnacle prior to making any fixture alterations.
Contact Pinnacle with any installation questions or field issues.*