

EDGE Evolution 2, 3, & 4 INSTALLATION INSTRUCTIONS

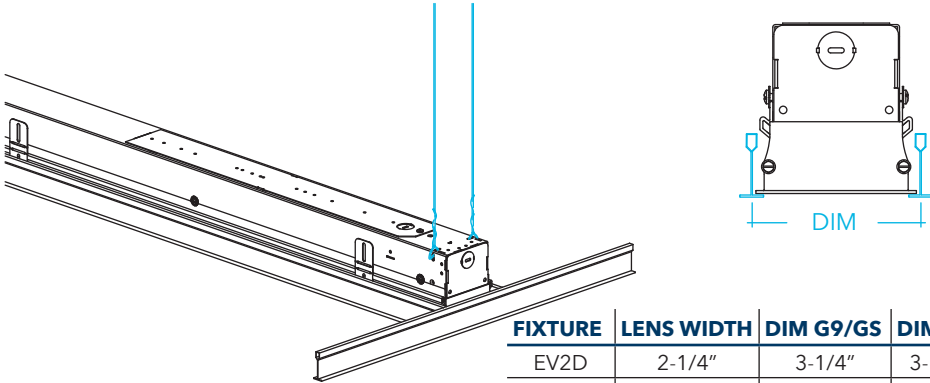


LED Grid Installation	2
LED Flanged (FL) Inaccessible Installation	3-4
LED Non-Flanged (NF) Inaccessible Installation	5-6
LED Spackle Flange Inaccessible Installation	7
LED Perimeter Mount	8-9
LED Rotating Crossbar Inaccessible Installation	10
Inside Corner Installation	11
Horizontal Corner Installation	12
"T" Connector Installation	13
"X" Connector Installation	14
Outside Corner Installation	15
Straight Field Cut Illuminated Extension	16-19
Angled Field Cut Illuminated Extension	20-24
Lens Detail	25



1 GRID PREPARATION AND INSTALLATION

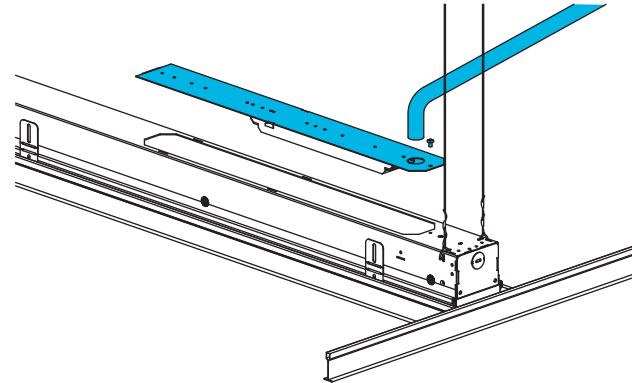
Prepare grid to the width needed to accommodate the fixture. Place fixture into grid opening and tie off fixture to support.



FIXTURE	LENS WIDTH	DIM G9/GS	DIM G1
EV2D	2-1/4"	3-1/4"	3-1/2"
EV3D	3"	4"	4-1/4"
EV4D	4"	5"	5-1/4"

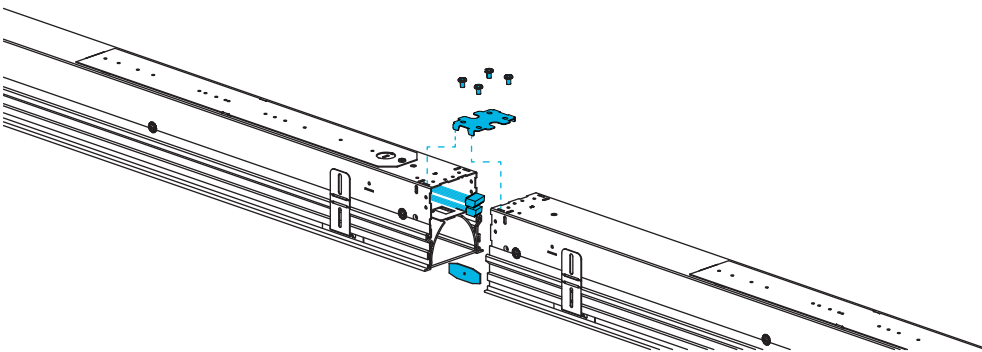
2 POWER

Remove Access Plate via one screw. Make wiring connections to building power and replace Access Plate.



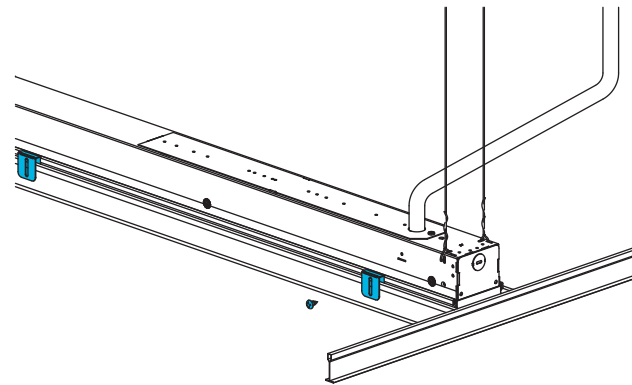
3 JOINING

Make wiring connections between fixtures, tap joining biscuit in to one fixture, slide fixtures together, and secure using joining bracket and four screws.



4 SECURING TO GRID

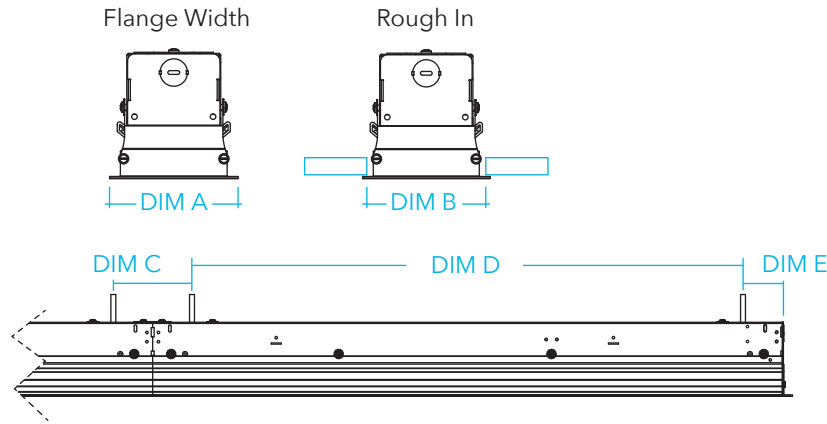
Center fixture on grid, bend grid brackets over and fasten to grid.





1 LAYOUT & DIMENSIONS

Rough in fixture opening and install 1/4" hardware (by others) according to tables to the right. Fixture length can be found on label inside fixture.



ROUGH - IN

FIXTURE	DIM A	DIM B
EV2	3-3/8"	2-7/8"
EV3	4-1/8"	3-5/8"
EV4	5-1/8"	4-5/8"

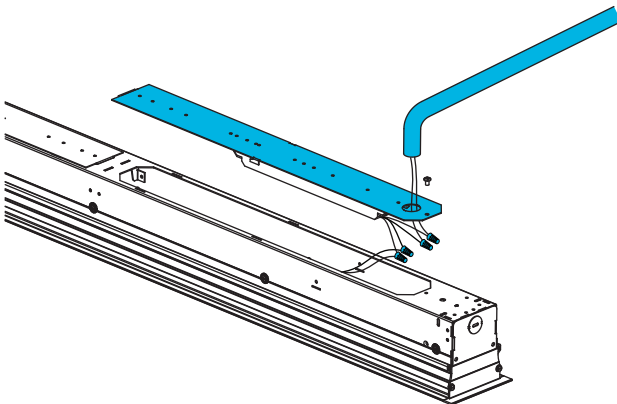
THREADED ROD LOCATIONS

LENGTH	DIM C	DIM D	DIM E
23"	3/4"	21-1/2"	13/16"
24"	3/4"	22-1/2"	13/16"
35"	2-5/8"	29-3/4"	2-11/16"
36"	2-5/8"	30-3/4"	2-11/16"
47"	2-5/8"	41-3/4"	2-11/16"
48"	2-5/8"	43-3/4"	2-11/16"
59"	2-5/8"	53-3/4"	2-11/16"
60"	2-5/8"	54-3/4"	2-11/16"
71"	1-5/8"	66-3/4"	2-11/16"
72"	2-5/8"	66-3/4"	2-11/16"
83"	1-5/8"	78-3/4"	2-11/16"
84"	1-5/8"	79-3/4"	2-11/16"
95"	1-5/8"	90-3/4"	2-11/16"
96"	2-5/8"	90-3/4"	2-11/16"

Rough-in for length is
Row or Fixture Length + 3/8"

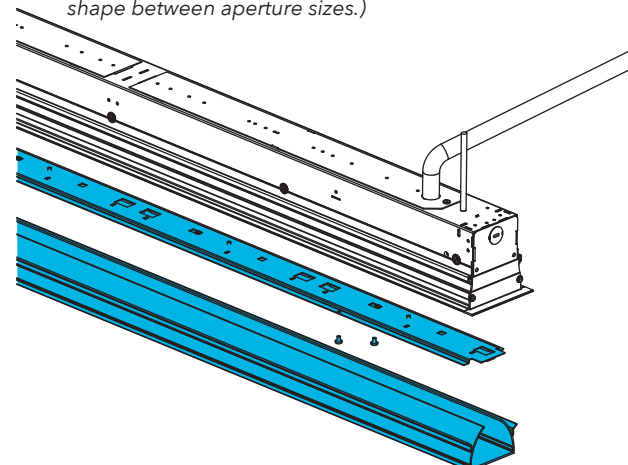
2 POWER

Remove Access Plate via one screw. Make wiring connections to building power and replace Access Plate.



3 INDIVIDUAL FIXTURE

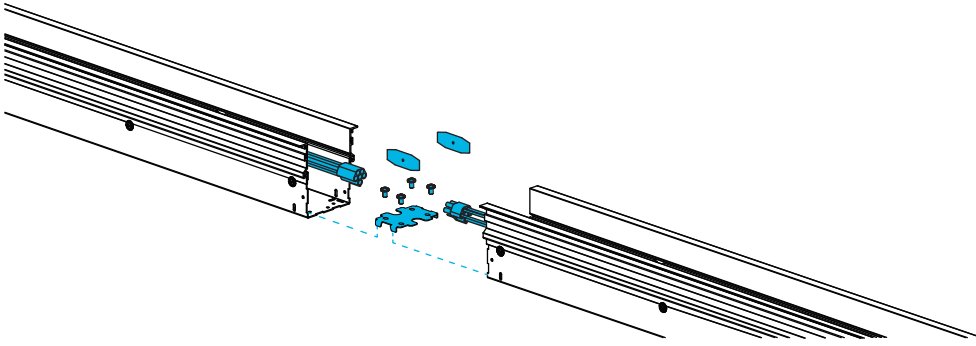
Carefully remove lens using a putty knife (detail view on pg 11). Remove reflectors via matte black #8-23 screws. Disconnect reflector wiring. Mount fixture through mounting slot to 1/4" hardware (by others). (Note: Lens and reflector differ in shape between aperture sizes.)





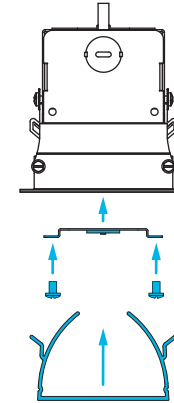
4 JOINING FIXTURES

Make wiring connections between fixtures, tap joining biscuit in to one fixture, slide fixtures together, and secure using joining bracket and four screws.



5 FINISHING

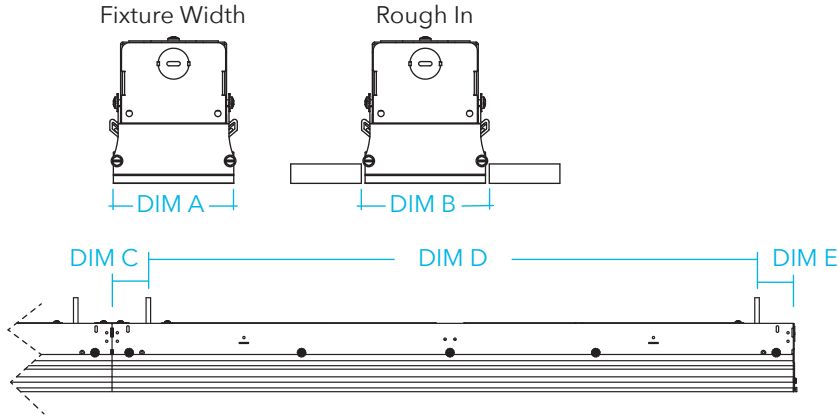
Re-install reflector with matte black #8-32 screws. Carefully re-install lens (detail view on pg 11).





1 LAYOUT & DIMENSIONS

Rough in fixture opening and install 1/4" hardware (by others) according to tables to the right. Fixture length can be found on label inside fixture.



ROUGH - IN

FIXTURE	DIM A	DIM B
EV2	2-5/8"	2-7/8"
EV3	3-3/8"	3-5/8"
EV4	4-3/8"	4-5/8"

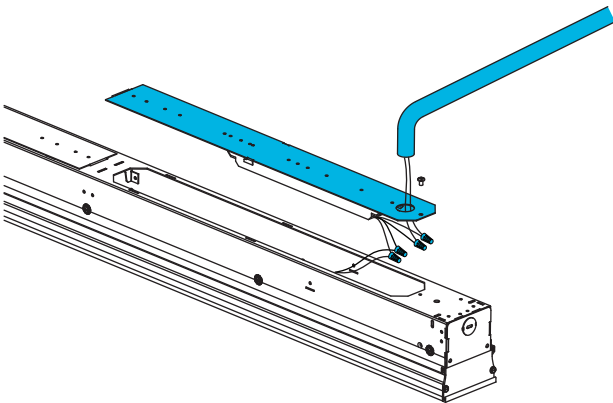
THREADED ROD LOCATIONS

LENGTH	DIM C	DIM D	DIM E
23"	3/4"	21-1/2"	13/16"
24"	3/4"	22-1/2"	13/16"
35"	2-5/8"	29-3/4"	2-11/16"
36"	2-5/8"	30-3/4"	2-11/16"
47"	2-5/8"	41-3/4"	2-11/16"
48"	2-5/8"	43-3/4"	2-11/16"
59"	2-5/8"	53-3/4"	2-11/16"
60"	2-5/8"	54-3/4"	2-11/16"
71"	1-5/8"	66-3/4"	2-11/16"
72"	2-5/8"	66-3/4"	2-11/16"
83"	1-5/8"	78-3/4"	2-11/16"
84"	1-5/8"	79-3/4"	2-11/16"
95"	1-5/8"	90-3/4"	2-11/16"
96"	2-5/8"	90-3/4"	2-11/16"

Rough-in for length is
Row or Fixture Length + 3/8"

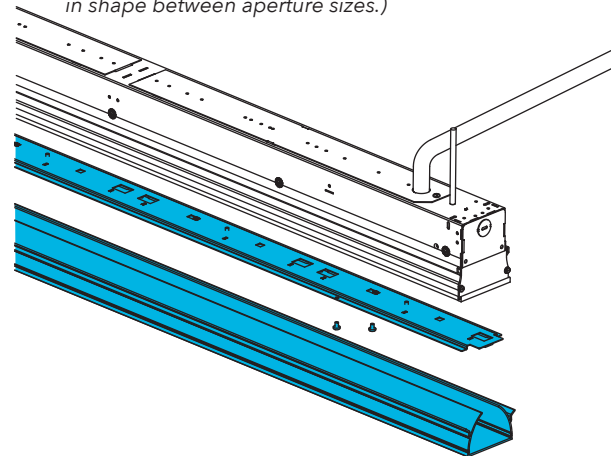
2 POWER

Remove Access Plate via one screw. Make wiring connections to building power and replace Access Plate.



3 INDIVIDUAL FIXTURE

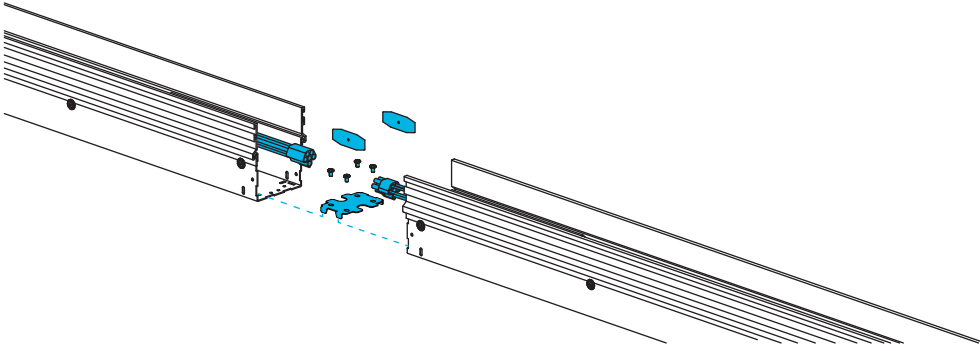
Carefully remove lens using a putty knife (detail view on pg 11). Remove reflectors via matte black #8-23 screws. Disconnect reflector wiring. Mount fixture through mounting slot to 1/4" hardware (by others). (Note: Lens and reflector differ in shape between aperture sizes.)





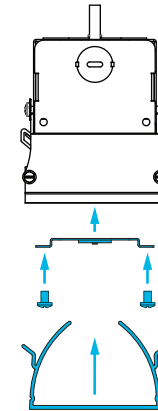
4 JOINING FIXTURES

Make wiring connections between fixtures, tap joining biscuit in to one fixture, slide fixtures together, and secure using joining bracket and four screws.



5 FINISHING

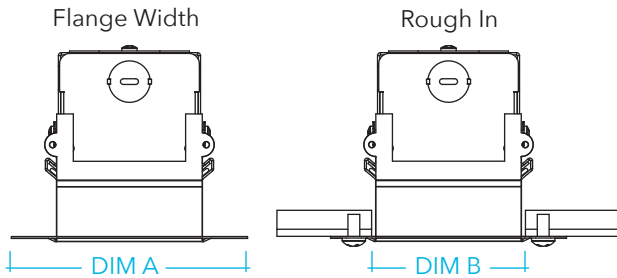
Re-install reflector with matte black #8-32 screws. Carefully re-install lens (detail view on pg 11).





1 DIMENSIONS AND LAYOUT

Rough in fixture opening according to the table below, fixture length can be found on label inside fixture.
(Note: Do not screw in to side of housing. Do not remove cross brackets until fixture is installed.)

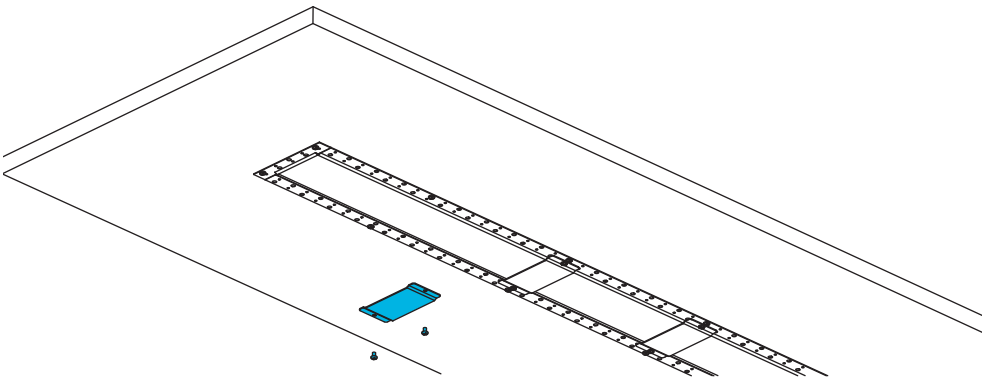


ROUGH - IN		
FIXTURE	DIM A	DIM B
EV2	4-1/4"	2-7/8"
EV3	5"	3-5/8"
EV4	6"	4-5/8"

Rough-in for length is
Row or Fixture Length + 3/8"

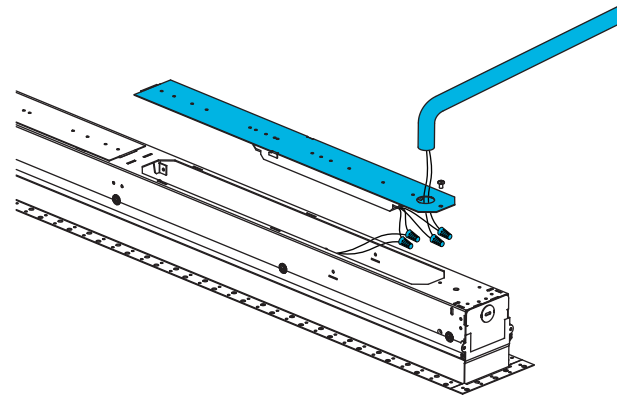
3 INDIVIDUAL FIXTURE

Mount fixture in rough-in opening by placing a screw behind each cross bracket along the length of the fixture and two on each end flange. Once mounted, remove cross brackets and discard. If individual fixture install lens.
(Note: Lens and reflector differ in shape between aperture sizes.)



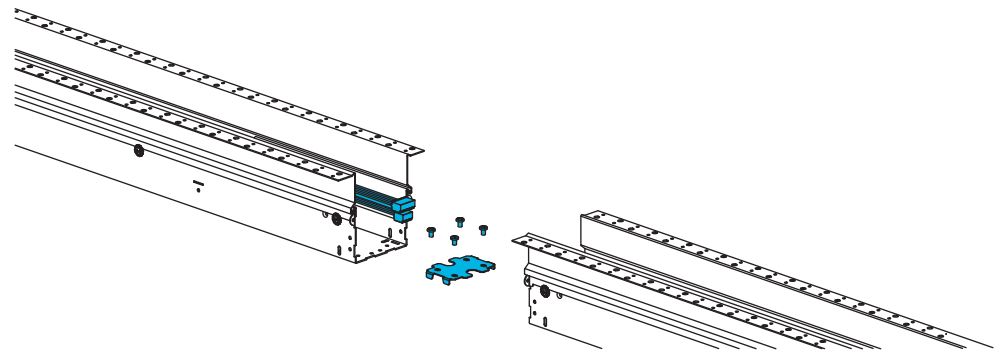
2 POWER

Remove Access Plate via one screw. Make wiring connections to building power and replace Access Plate.



4 JOINING

Make wiring connections between fixtures, slide fixtures together, and secure using joining bracket and four screws. Once all fixtures in row are installed, install lenses (detail view on pg 11).

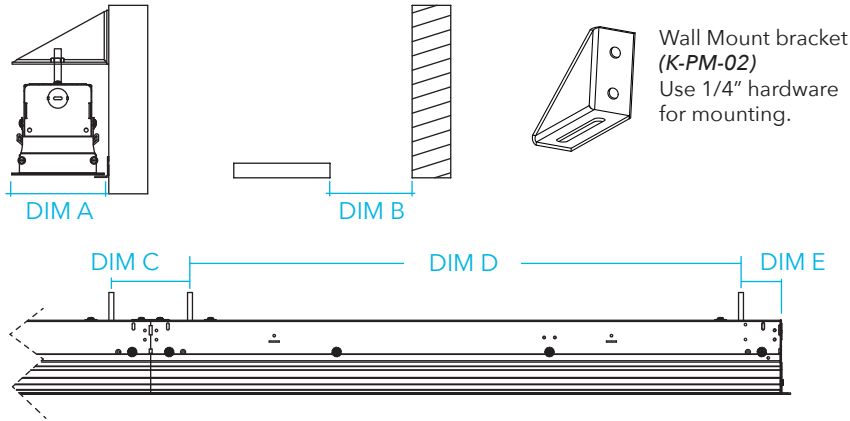




Reference Instructions for Mounting type for specifics on fixture/ceiling interaction when using PM Bracket.

1 LAYOUT & DIMENSIONS

Rough in fixture opening and install 1/4" hardware (by others) to according to tables to the right. Cut to length and install wall mount trim. Fixture length can be found on label inside fixture.



ROUGH - IN

FIXTURE	DIM A	DIM B
EV2	3-3/8"	2-7/8"
EV3	4-1/8"	3-5/8"
EV4	5-1/8"	4-5/8"

THREADED ROD LOCATIONS

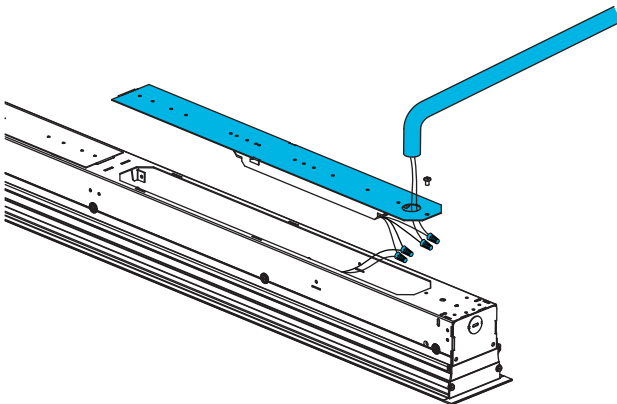
LENGTH	DIM C	DIM D	DIM E
23"	3/4"	21-1/2"	13/16"
24"	3/4"	22-1/2"	13/16"
35"	2-5/8"	29-3/4"	2-11/16"
36"	2-5/8"	30-3/4"	2-11/16"
47"	2-5/8"	41-3/4"	2-11/16"
48"	2-5/8"	43-3/4"	2-11/16"
59"	2-5/8"	53-3/4"	2-11/16"
60"	2-5/8"	54-3/4"	2-11/16"
71"	1-5/8"	66-3/4"	2-11/16"
72"	2-5/8"	66-3/4"	2-11/16"
83"	1-5/8"	78-3/4"	2-11/16"
84"	1-5/8"	79-3/4"	2-11/16"
95"	1-5/8"	90-3/4"	2-11/16"
96"	2-5/8"	90-3/4"	2-11/16"

If mounting into a grid ceiling see page 2 for **DIM B**.

Rough-in for length is Row or Fixture Length + 3/8".

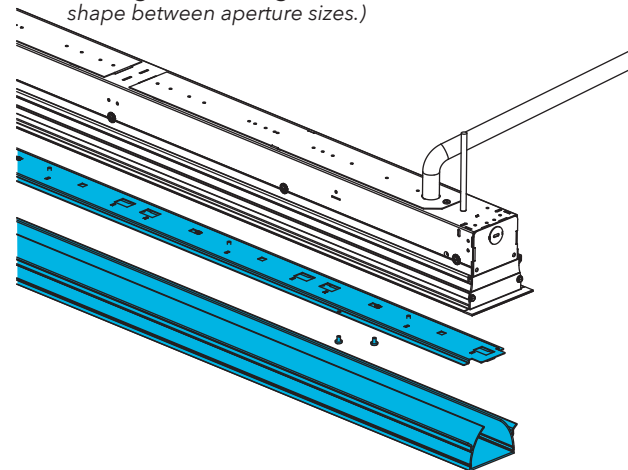
2 POWER

Remove Access Plate via one screw. Make wiring connections to building power and replace Access Plate.



3 INDIVIDUAL FIXTURE

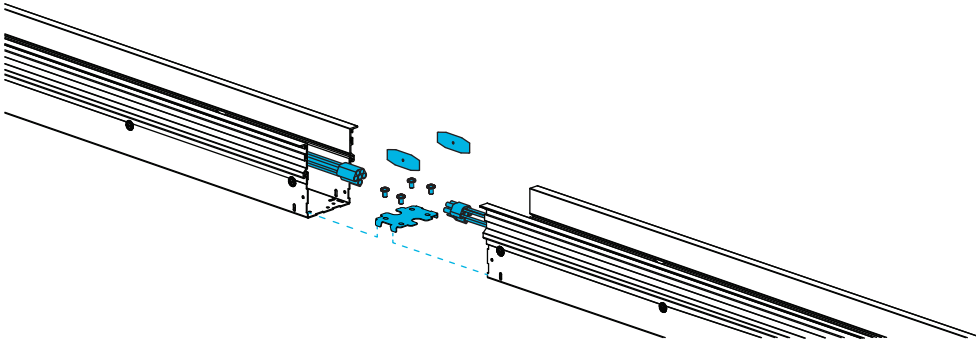
Carefully remove lens using putty knife (detail view on pg 11). Remove reflectors via matte black #8-23 screws. Disconnect reflector wiring. Mount fixture through mounting slot to 1/4" hardware (by others). (Note: Lens and reflector differ in shape between aperture sizes.)





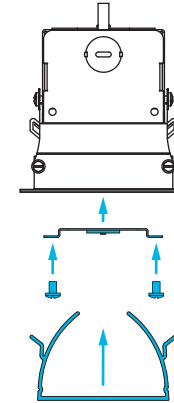
4 JOINING FIXTURES

Make wiring connections between fixtures, tap joining biscuit in to one fixture, slide fixtures together, and secure using joining bracket and four screws.



5 FINISHING

Re-install reflector with matte black #8-32 screws. Carefully re-install lens (detail view on pg 11).

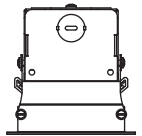




1 LAYOUT & DIMENSIONS

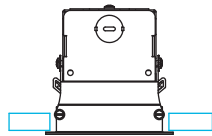
Rough in Fixture opening according to table. Fixture length can be found on fixture label inside fixture.

Flange Width



DIM A

Rough In



DIM B

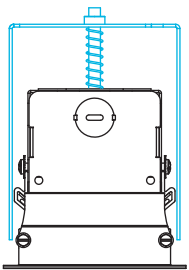
ROUGH - IN

FIXTURE	DIM A - FL	DIM A - NF	DIM B
EV2	3-3/8"	2-5/8"	2-7/8"
EV3	4-1/8"	3-5/8"	3-5/8"
EV4	5-1/8"	4-5/8"	4-5/8"

Rough-in for length is
Row or Fixture Length + 3/8"

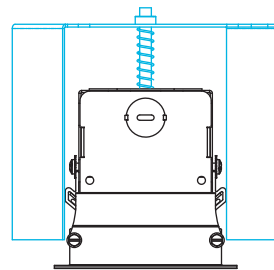
3 INDIVIDUAL FIXTURE

Carefully remove lens using putty knife. Remove reflectors via matte black #8-23 screws. Disconnect reflector wiring. Slide fixture into rough-in opening and rotate crossbar to lock in place using 1/4-20 screw inside fixture. If individual fixture replace reflector and lens (detail view on pg 11).
(Note: Lens and reflector differ in shape between aperture sizes.)



Before Installation

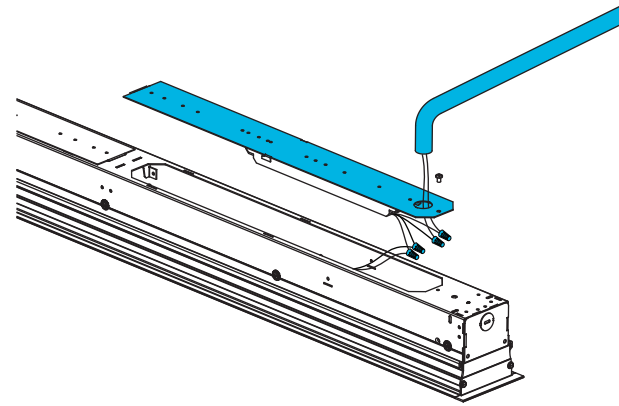
1/2" - 5/8"
drywall



After Installation

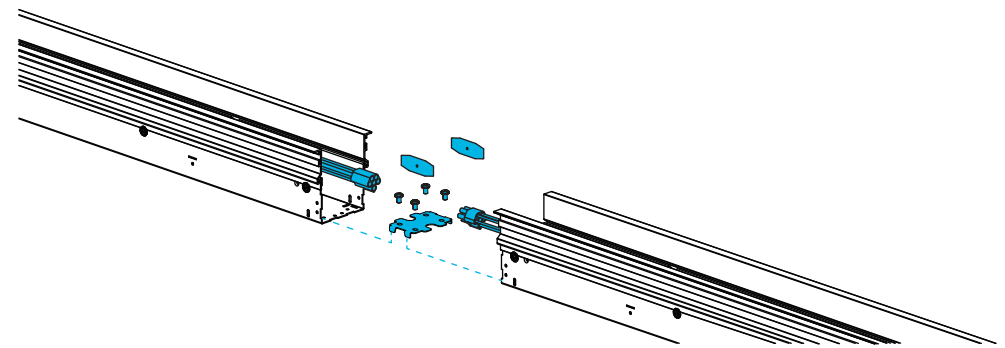
2 POWER

Remove Access plate via one screw. Make wiring connections to building power and replace Access Plate.



4 JOINING

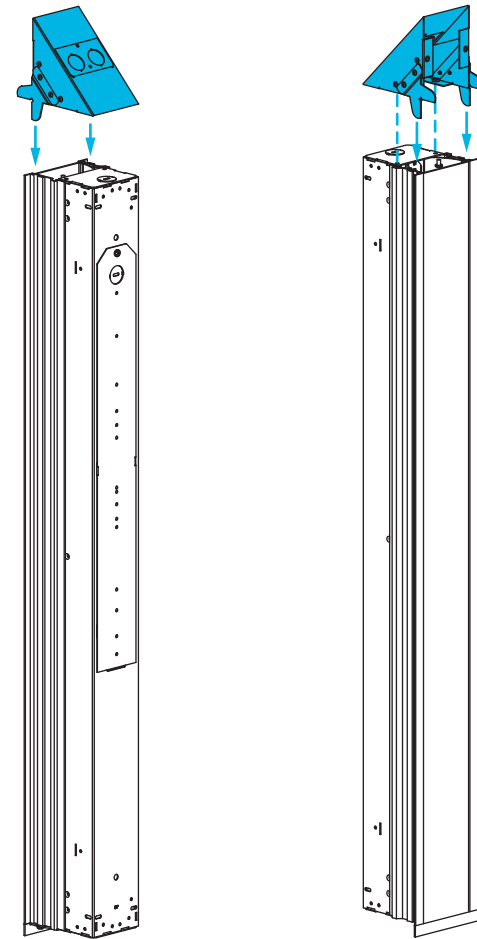
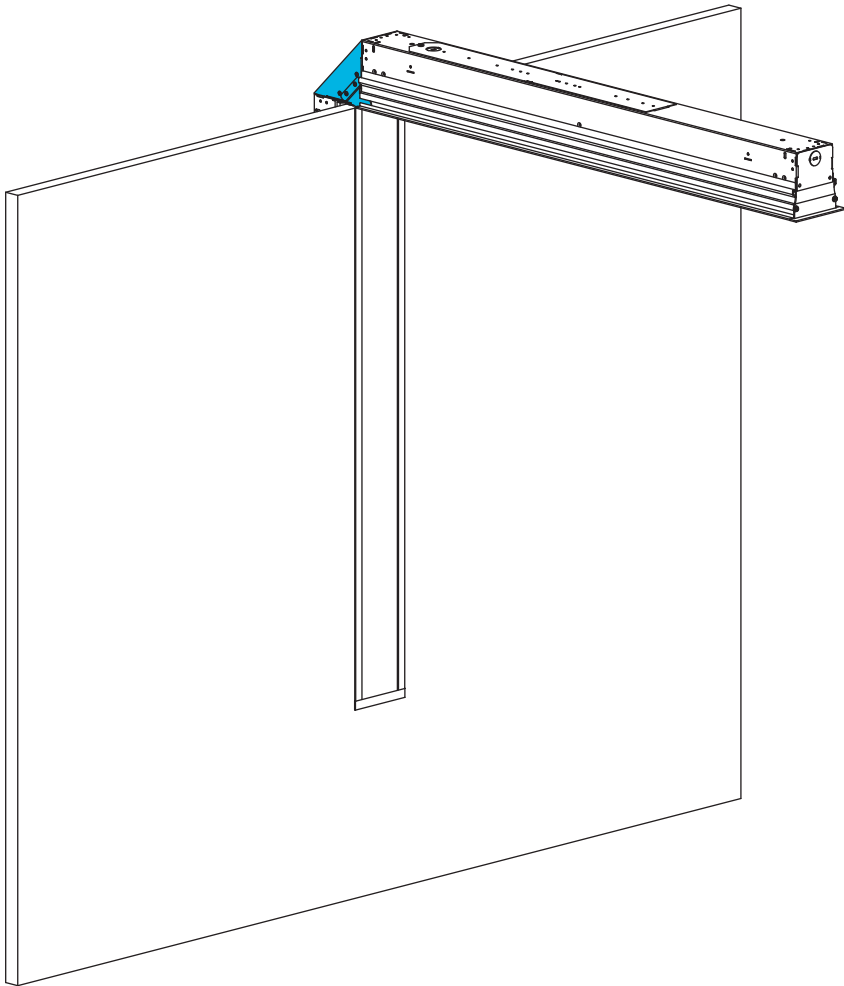
Make wiring connections between fixtures, tap joining biscuit in to one fixture, slide fixtures together, and secure using joining bracket and four screws. Once all fixtures in row are installed replace reflectors and lenses (detail view on pg 11).





1 CORNER PIECE

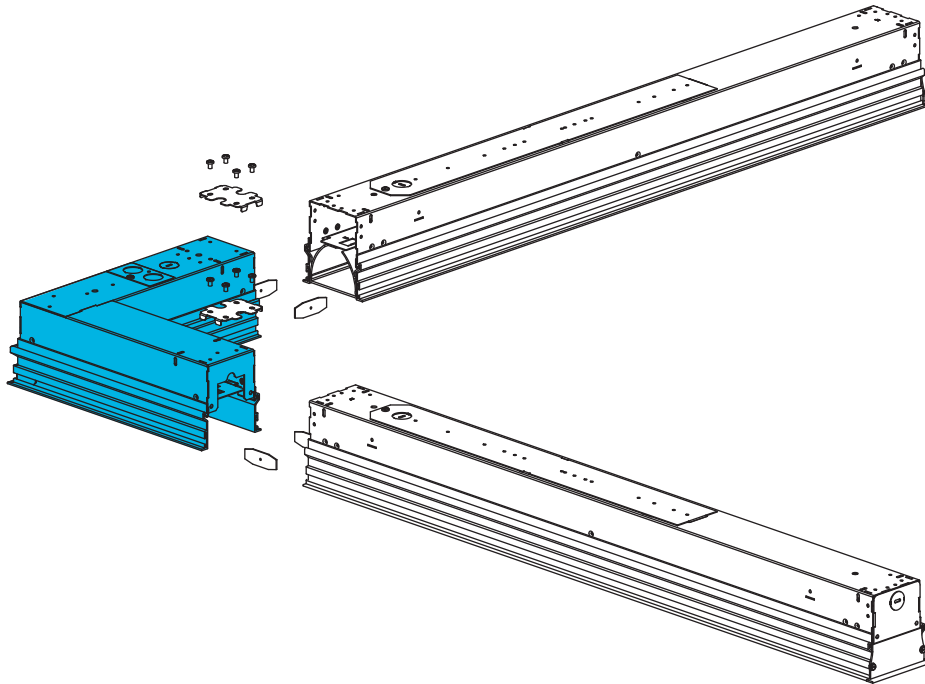
Fasten Corner housing to wall fixture. Route wires from wall fixture through corner housing. Install ceiling fixture wiring at corner.



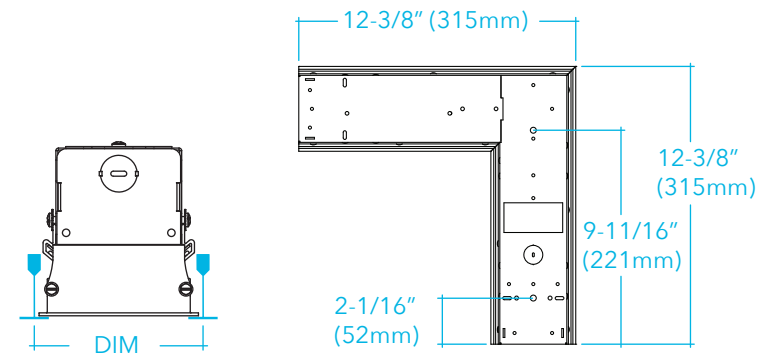


1 CORNER PIECE

Lay out fixture and rough-in location. Fixture requires secondary mains, or blocking along the length of fixture, both sides. *(Note: corners are 90°)* Corners install same as fixture(s) and are required to be tied to structure. Remove knock out between fixtures and make necessary wiring connections. Align fixtures using supplied Joining Biscuits (2) and secure fixtures together using Joint Bracket and screws.



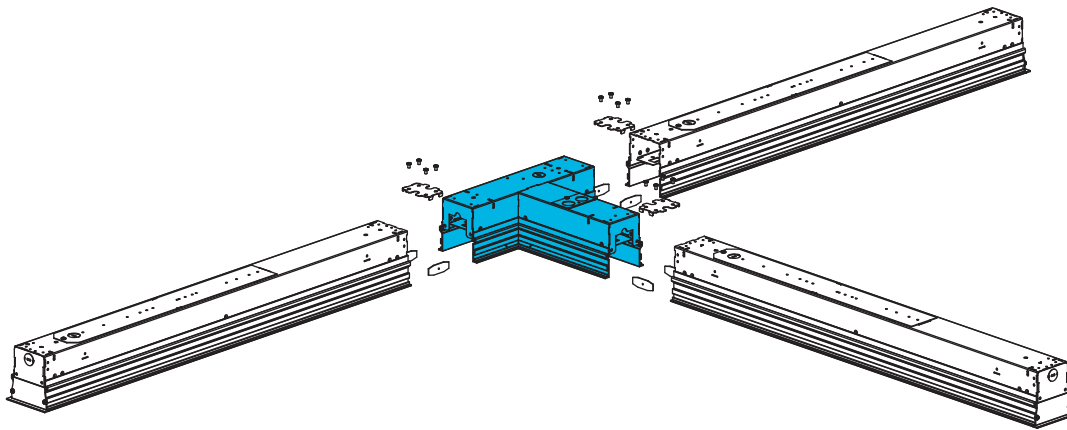
FIXTURE	LENS WIDTH	DIM G9/GS	DIM G1
EV2D	2-1/4"	3-1/4"	3-1/2"
EV3D	3"	4"	4-1/4"
EV4D	4"	5"	5-1/4"



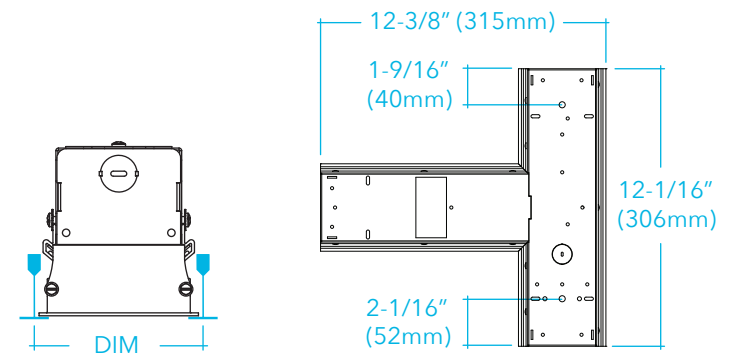


1 "T" CONNECTOR PIECE

Lay out fixture and rough-in location. Fixture requires secondary mains, or blocking along the length of fixture, both sides. *(Note: corners are 90°)* Connectors install same as fixture(s) and are required to be tied to structure. Remove knock out between fixtures and make necessary wiring connections. Align fixtures using supplied Joining Biscuits (2) and secure fixtures together using Joint Bracket and screws.



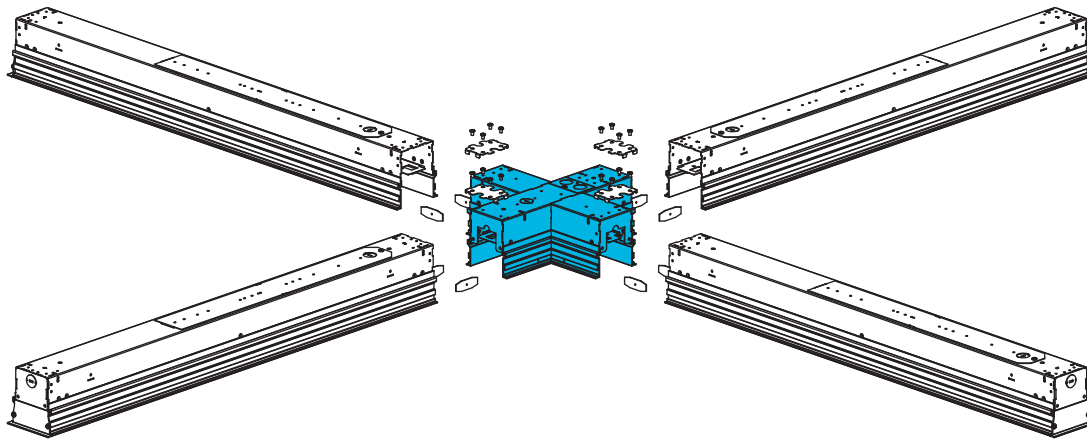
FIXTURE	LENS WIDTH	DIM G9/GS	DIM G1
EV2D	2-1/4"	3-1/4"	3-1/2"
EV3D	3"	4"	4-1/4"
EV4D	4"	5"	5-1/4"



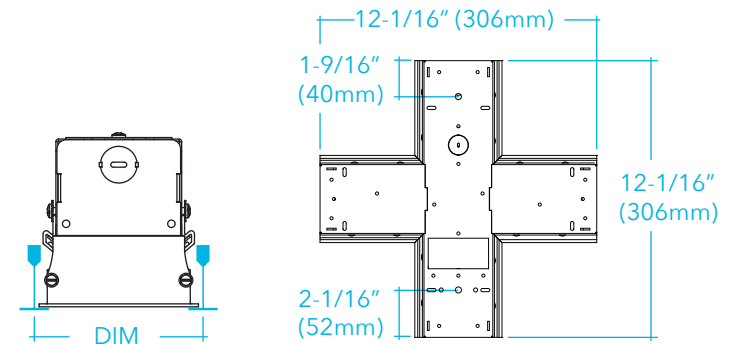


1 "X" CONNECTOR PIECE

Lay out fixture and rough-in location. Fixture requires secondary mains, or blocking along the length of fixture, both sides. *(Note: corners are 90°)* Connectors install same as fixture(s) and are required to be tied to structure. Remove knock out between fixtures and make necessary wiring connections. Align fixtures using supplied Joining Biscuits (2) and secure fixtures together using Joint Bracket and screws.



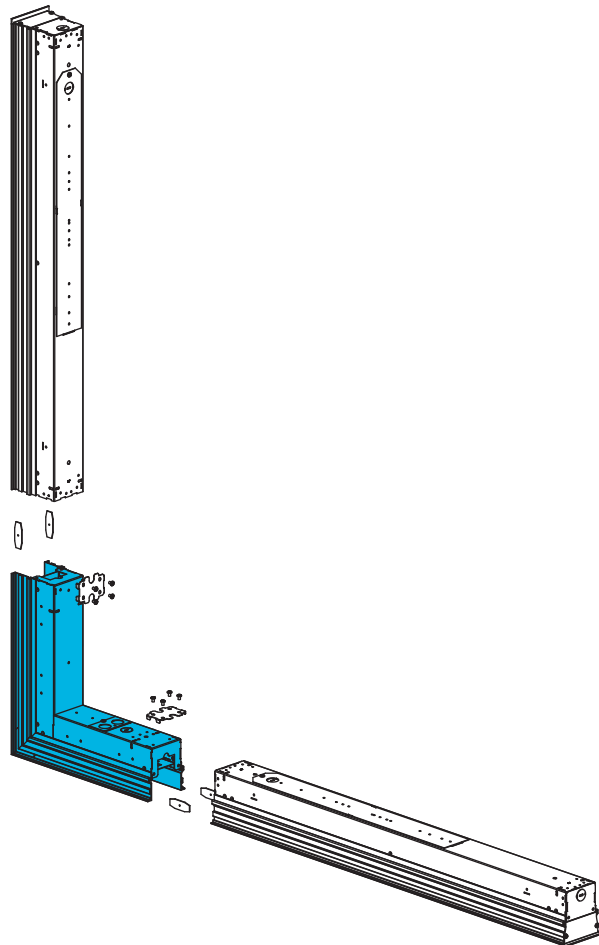
FIXTURE	LENS WIDTH	DIM G9/GS	DIM G1
EV2D	2-1/4"	3-1/4"	3-1/2"
EV3D	3"	4"	4-1/4"
EV4D	4"	5"	5-1/4"



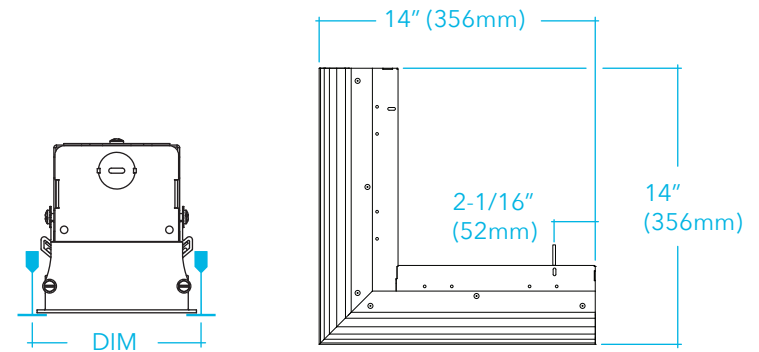


1 CORNER PIECE

Lay out fixture and rough-in location. Fixture requires secondary mains, or blocking along the length of fixture, both sides. (*Note: corners are 90°*) Corners install same as fixture(s) and are required to be tied to structure. Remove knock out between fixtures and make necessary wiring connections. Align fixtures using supplied Joining Biscuits (2) and secure fixtures together using Joint Bracket and screws.



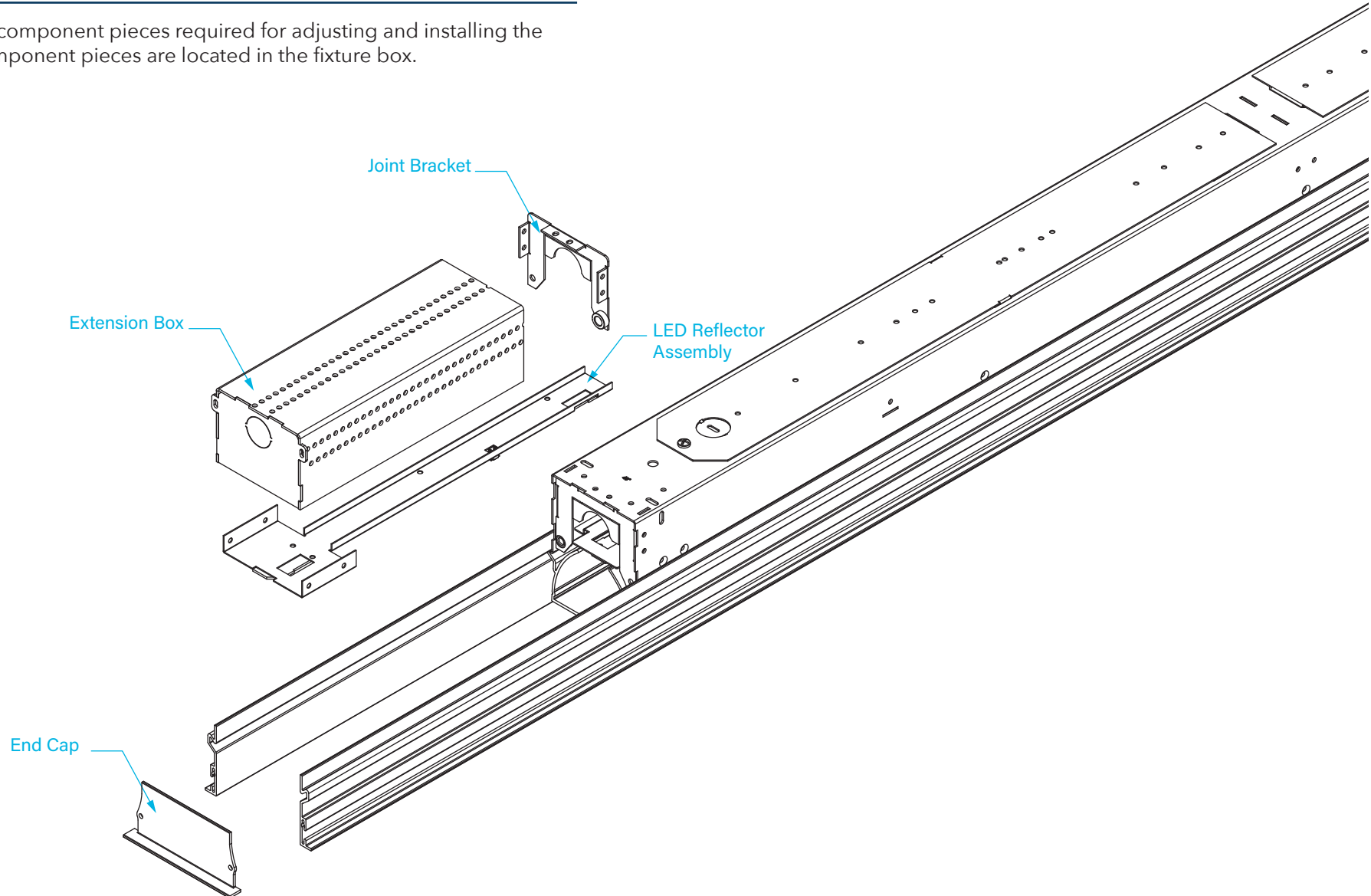
FIXTURE	LENS WIDTH	DIM G9/GS	DIM G1
EV2D	2-1/4"	3-1/4"	3-1/2"
EV3D	3"	4"	4-1/4"
EV4D	4"	5"	5-1/4"





ILLUMINATED EXTENSION OVERVIEW

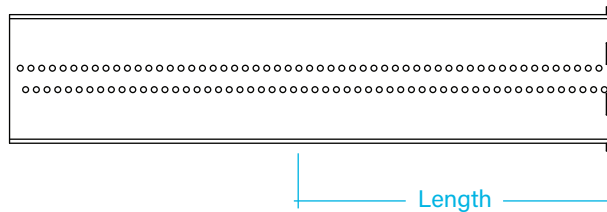
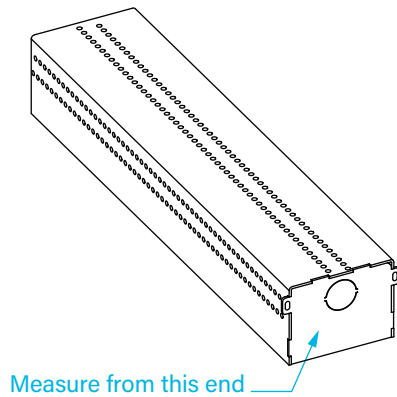
Below are the component pieces required for adjusting and installing the extension. Component pieces are located in the fixture box.





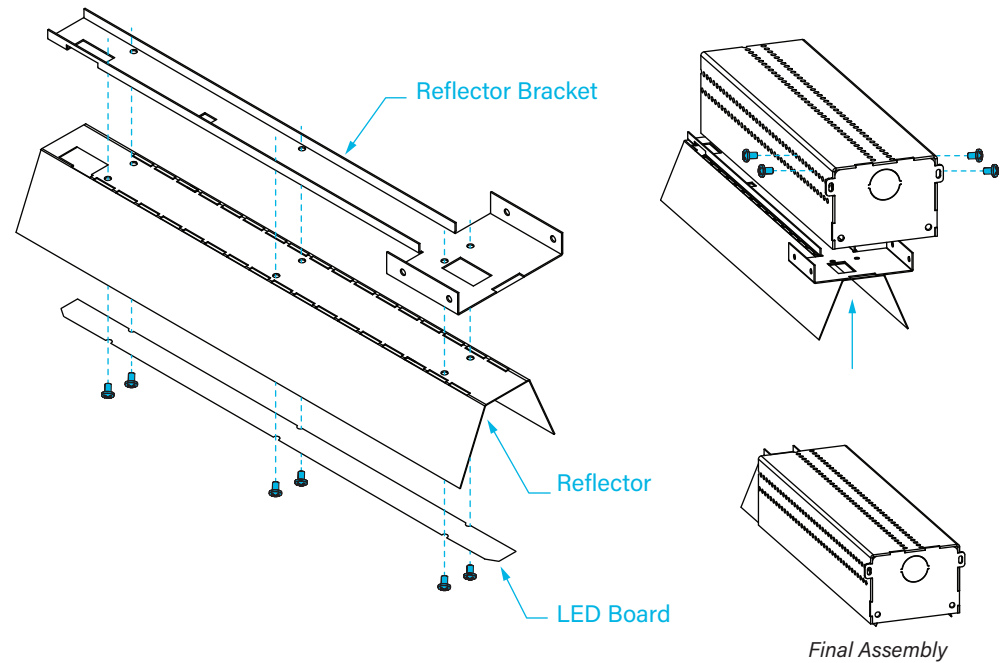
1 EXTENSION BOX PREP

Measure the desired length of the final assembled fixture (Extension Box + Main Fixture). Measure the required length from the end of the extension box. Make sure to measure from the closed end, that will become the end of the fixture.



2 LED INSTALLATION

After cutting the extension box, Assemble and install the LED Reflector Assembly. The LED Reflector assembly is made up of 3 parts. The LED board, the reflector, and the bracket. All three are connected using screws. Once the LED Reflector Assembly is together that gets installed in the extension box using 4 screws through the sides.

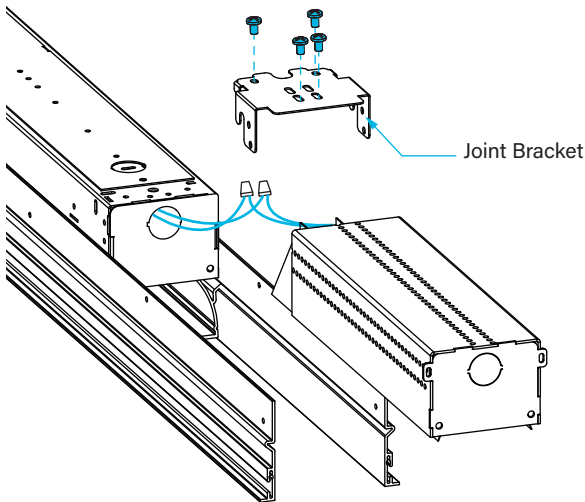


Final Assembly



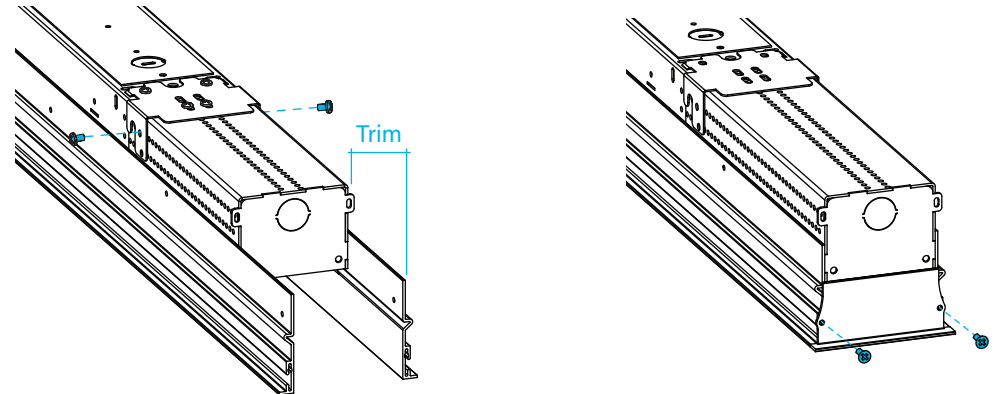
3 EXTENSION BOX INSTALLATION

Take the illuminated extension and connect the LED wires to the wires protruding from the main fixture. It is recommended to store any excess wiring in extension box. Slide the extension in between the rails and flush with fixture housing. Secure the extension to the fixture using the provided joint bracket. The joining bracket will connect on the top of the fixture and the top of the extension via 4 screws as show below.



4 FINISHING

Finish securing of extension to housing with two (2) additional screws, one for each side of the fixture. Once extension is full secured to main fixture trim the excess rails to be flush with end of extension. Once rails and extension box are flush install end cap with 2 screws to finish housing.

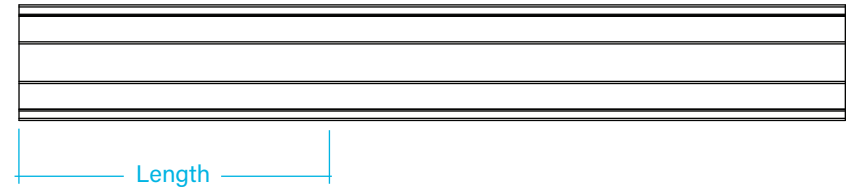
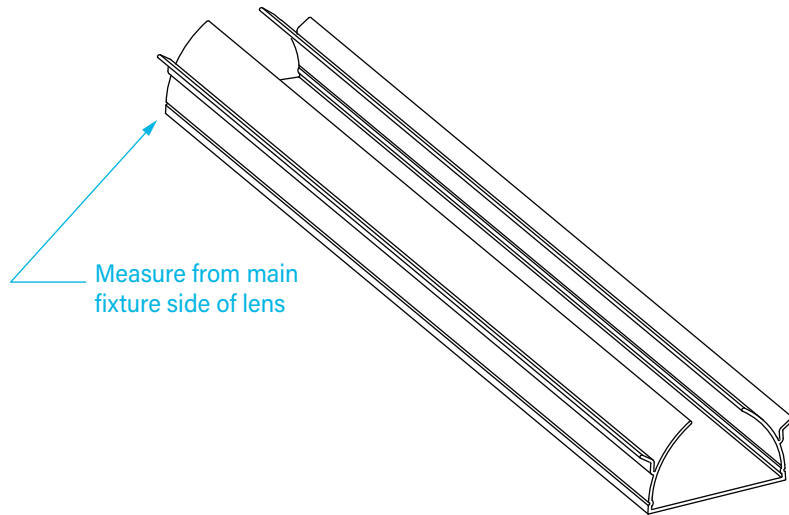




5 TRIM LENS AND INSTALL

Select and measure the desired lens length. The lens included in the kits are longer than required. Lens material expands with the heat of the LED boards. Run the saw at full speed and cut the lens slowly to avoid fracture and/or cracking. To account for this, subtract 1/32" from the total desired fixture length to account for thermal expansion.

(i.e. 96" fixture takes a total or combined lens length of 95.969")



DISCLAIMERS

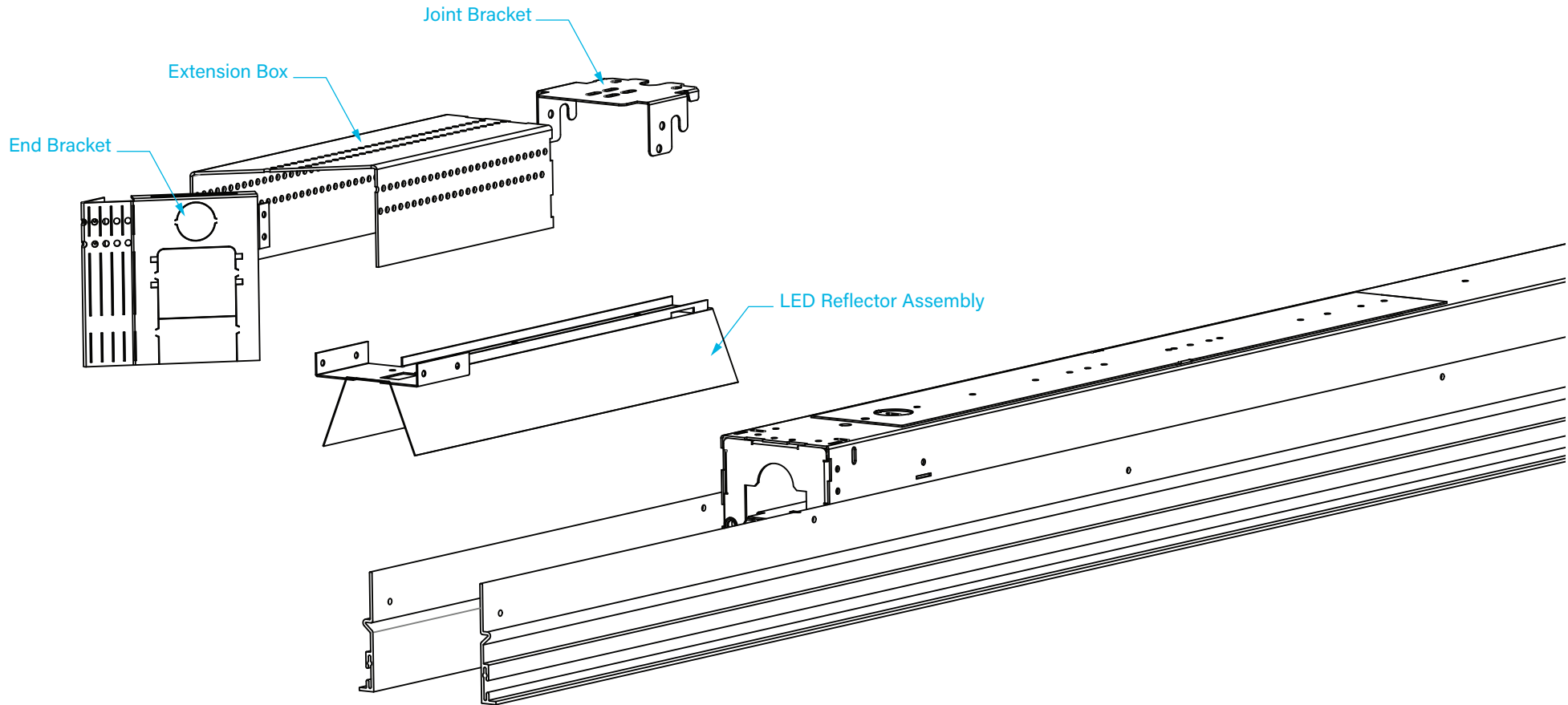
A carbide tipped saw blade for aluminum is recommended for cutting the extension box.
An AGE MD12-962 Industrial Carbide tipped plastic saw blade is recommended for cutting the lens.
This product must be installed in accordance with applicable installation and electrical codes by a professional familiar with the construction and operation of the product.
Minimum 90° C supply conductor.

All electrical connections must be performed by a certified electrician to applicable local and national electrical codes.
Damaged components must never be used.
Contact Pinnacle prior to making any fixture alterations.
Contact Pinnacle with any installation questions or field issues.



ILLUMINATED EXTENSION OVERVIEW

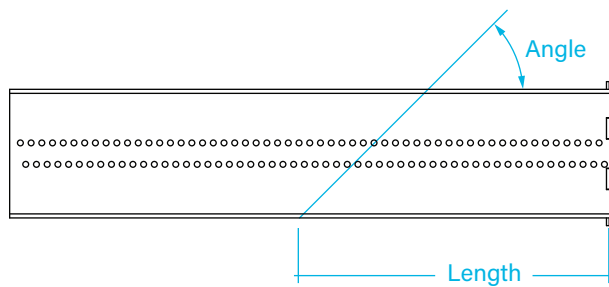
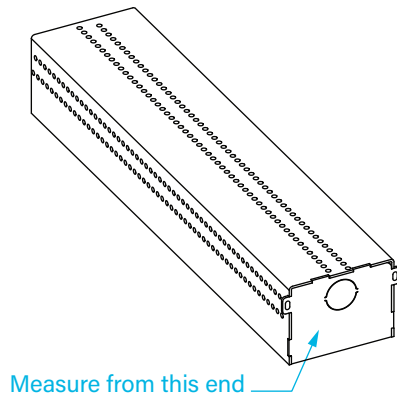
Below are the component pieces required for adjusting and installing the extension. Component pieces are located in the fixture box.





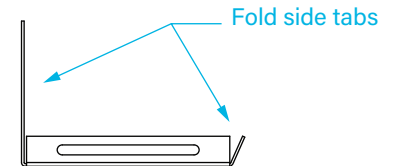
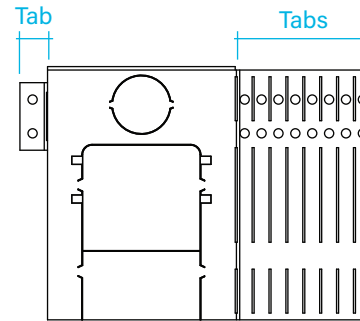
1 EXTENSION BOX PREP

Measure the desired length and angle of the final assembled fixture (Extension Box + Main Fixture). Measure the required length from the end of the extension box. Make sure to measure from the end that attached to the main fixture.



2 END BRACKET SETUP

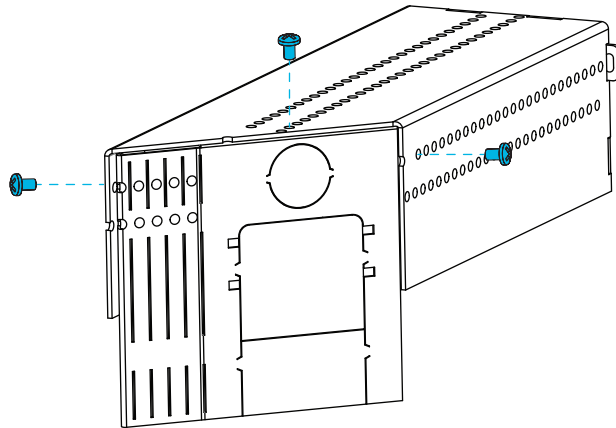
After cutting the extension box, locate end bracket. Fold the end bracket's tabs to a position that will minimize the gap between the extension box and the end bracket. The additional tabs may be cut if desired.





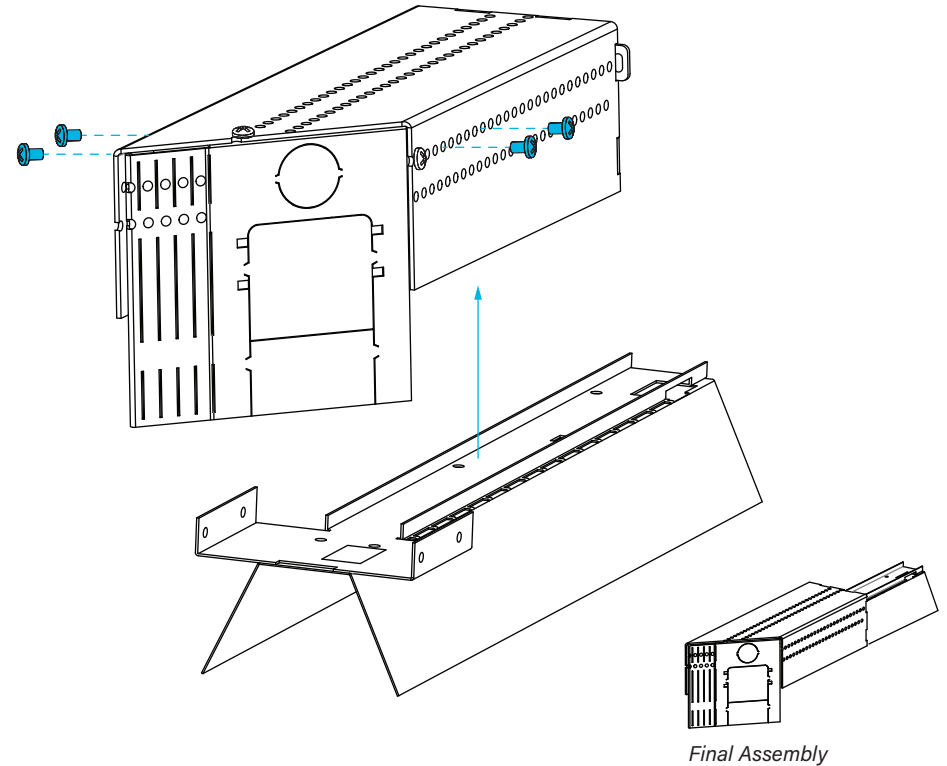
3 EXTENSION BOX ASSEMBLY

Secure the end bracket to the cut end of the extension box. Utilize 3 screws/rivets from kit and place them in the locations as shown below.



4 LED EXTENSION INSTALLATION

Install the LED board and reflector assembly as shown below using (4) screws/rivets from the kit. Secure the parts in the top row of holes when viewing from a room view perspective. *(note: the LED board in the extension box will sit "above", when viewing from a room side, the main fixture's LED board.)*

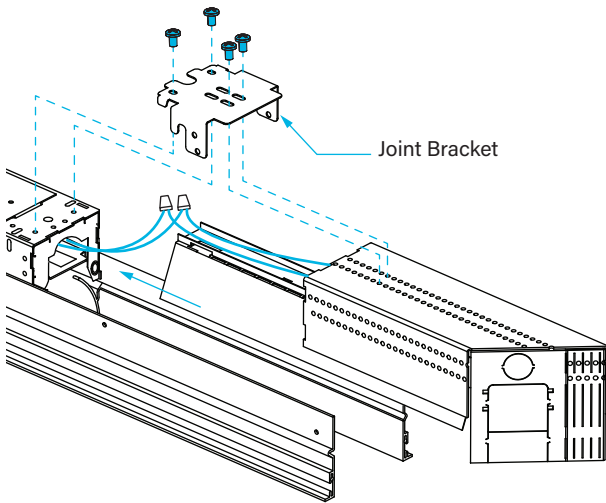


Final Assembly



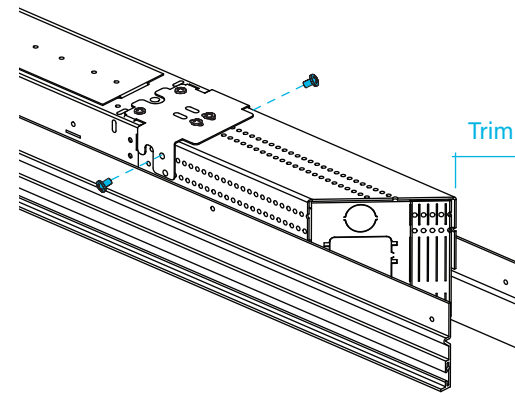
5 EXTENSION BOX INSTALLATION

Take the illuminated extension and connect the LED wires to the wires protruding from the main fixture. It is recommended to store any excess wiring in extension box. Slide the extension in between the rails and flush with fixture housing. Secure the extension to the fixture using the provided joint bracket. The joining bracket will connect on the top of the fixture and the top of the extension via 4 screws as show below.



6 FINISHING

Finish securing of extension to housing with two (2) additional screws, one for each side of the fixture. Once extension is full secured to main fixture trim the excess rails to be flush with end of extension.

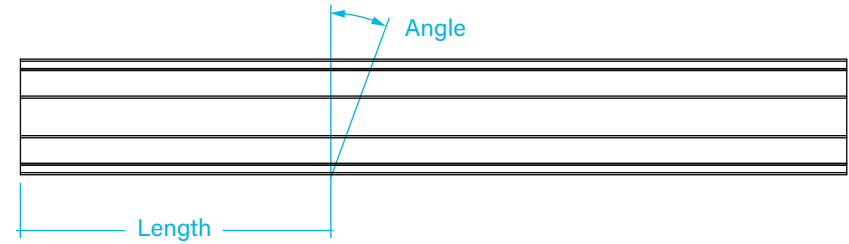
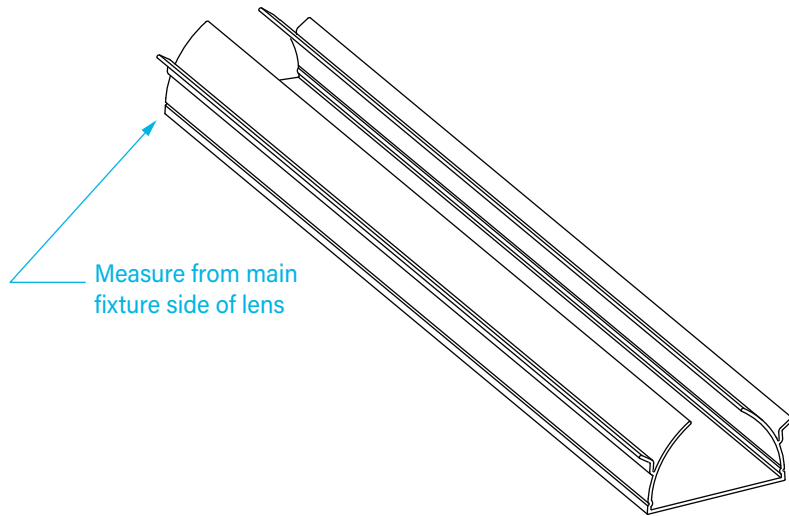




7 TRIM LENS AND INSTALL

Select and measure the desired lens length and angle. The lens included in the kits are longer than required. Lens material expands with the heat of the LED boards. Run the saw at full speed and cut the lens slowly to avoid fracture and/or cracking. To account for this, subtract 1/32" from the total desired fixture length to account for thermal expansion.

(i.e. 96" fixture takes a total or combined lens length of 95.969")



DISCLAIMERS

All of Pinnacle's packaging is recyclable with the exception of the straps on the pallets. Please reach out to the factory if you need assistance in recycling any packaging components.

A carbide tipped saw blade for aluminum is recommended for cutting the extension box.

An AGE MD12-962 Industrial Carbide tipped plastic saw blade is recommended for cutting the lens.

This product must be installed in accordance with applicable installation and electrical codes by a professional familiar with the construction and operation of the product.

Minimum 90° C supply conductor.

All electrical connections must be performed by a certified electrician to applicable local and national electrical codes.

Damaged components must never be used.

Contact Pinnacle prior to making any fixture alterations.

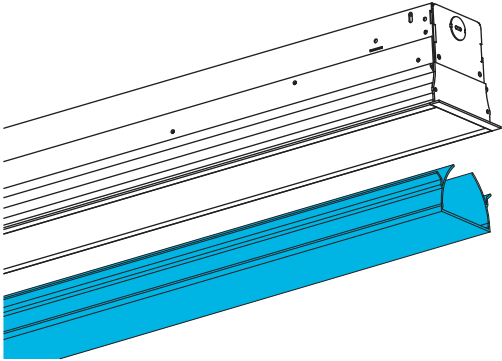
Contact Pinnacle with any installation questions or field issues.



Note: Low temperatures can effect the lens material making it brittle. Please allow the lenses to warm to room temperature before installation.

1 LENS INSTALLATION

Beginning at one end, squeeze lens legs and slide into fixture. Slowly insert rest of lens down the length of the fixture, snapping into place. At fixture end, use putty knife to hold light diffuser in place while snapping lens in.



2 LENS REMOVAL

Insert a putty knife into the edge between the lens and the fixture side about one inch from end. Gently pry lens away from fixture, using caution not to damage light diffuser at fixture end.

