



EDGE Evolution Fixtures



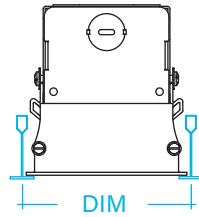
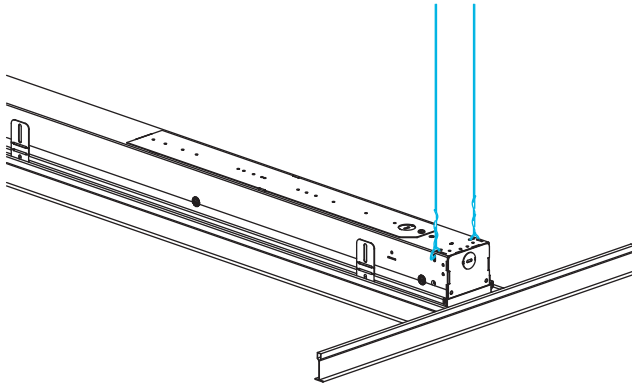
ET4D-WW

Grid Installation 2



1 GRID PREPARATION AND INSTALLATION

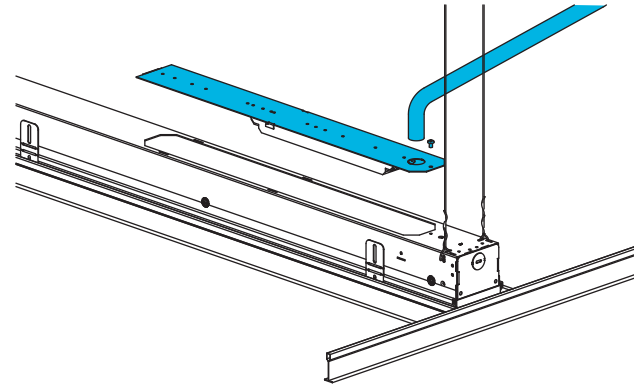
Prepare grid to the width needed to accommodate the fixture. Place fixture into grid opening and tie off fixture to support.



DIM G9/GS	DIM G1
4"	4-1/4"

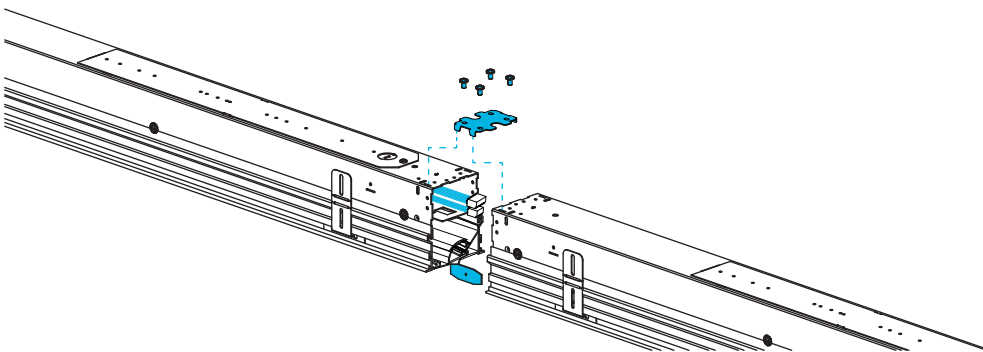
2 POWER

Remove Access Plate via one screw. Make wiring connections to building power and replace Access Plate.



3 JOINING

Make wiring connections between fixtures, tap joining biscuit in to one fixture, slide fixtures together, and secure using joining bracket and four screws.



4 SECURING TO GRID

Center fixture on grid, bend grid brackets over and fasten to grid.

