



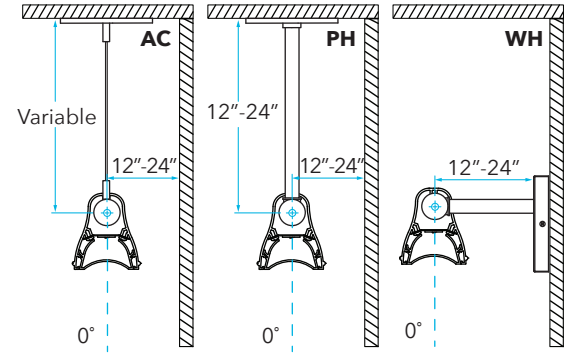
Guidelines

- For lengthwise shielding of aperture, Parabolic Louver is recommended.
- Visor is recommended if aperture is within viewing angle in the Wall Wash Application.
- Fixture head is fully rotatable for achieving any needed angle.
- When using AC mount ensure fixture side coupler is aligned to allow for swivel.
- IES files were tested in the direct orientation, adjust angle as required in lighting calculation software.

Wall Wash Application - WHE Lens

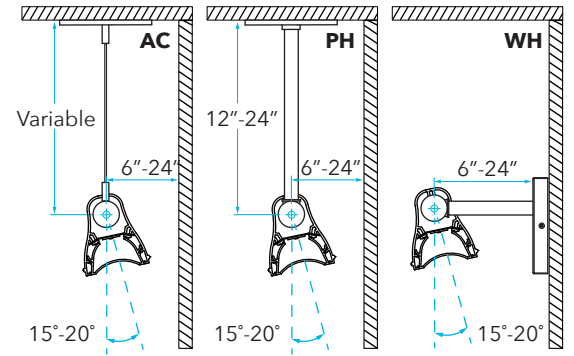
Application Height up to 12'

- 6": Not recommended
- 12": Narrow coverage, high brightness, 16:1 uniformity (3' vertical focus)
- 18": General coverage, bright accent, 9:1 uniformity (5' vertical focus)
- 24": Wall coverage, accent, 6:1 uniformity (6' vertical focus)



Highlight a Feature on a Wall - HE Lens

- Highlight will range between 3 to 4 feet below fixture aperture
- 6"-24": 15° to 20° tilt
- Above 20° tilt is not recommended
- FL mounting not recommended

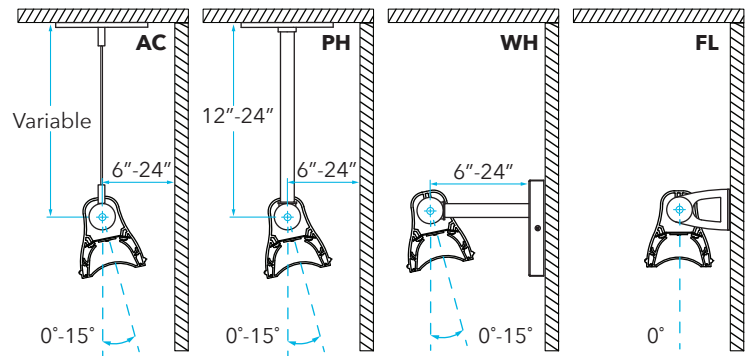


Wall Wash Application - HE Lens

- Application height is considered Floor to Fixture
- Wall wash applications above 12' not recommended

Application Height 8' - 10'

- 6" or FL: No tilt
- 12": 5° to 8° tilt
- 18": 8° to 12° tilt
- 24": 12° to 15° tilt
- Above 15° is NOT recommended for wall wash



Application Height 10' - 12'

- 6" or FL: Not recommended
- 12": Not recommended
- 18": Not recommended
- 24": 5° tilt
- Above 5° is NOT recommended for wall wash
- FL mounting not recommended

