

EDGE Evolution 2, 3, & 4 INSTALLATION INSTRUCTIONS



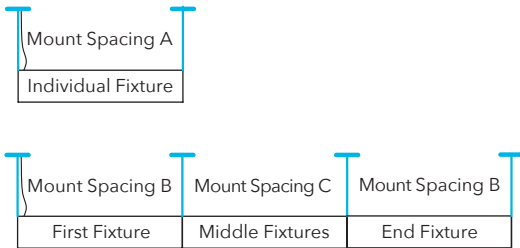
AC Cable Installation	2
Wall Mount Installation	3
Surface Mount Installation	4
Joint Details	5
Horizontal Corner Installation	6
“T” Connector Installation	7
“X” Connector Installation	8
Lens Details	9
Top Cover Details	10



1 LAYOUT

Lay out mounting and J-Box locations.

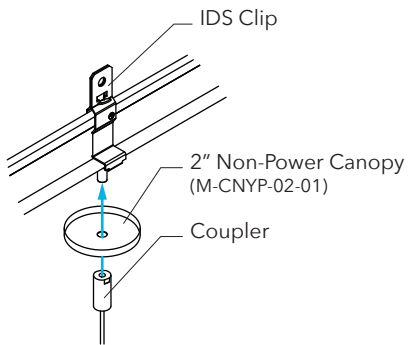
Mount Spacing Aircraft Cable Examples



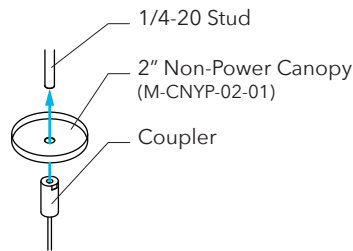
FIXTURE	A	B	C
2'	23-3/8"	23-5/8"	24"
3'	35-3/8"	35-5/8"	36"
4'	47-3/8"	47-5/8"	48"
5'	59-3/8"	59-5/8"	60"
6'	71-3/8"	71-5/8"	72"
7'	83-3/8"	83-5/8"	84"
8'	95-3/8"	95-5/8"	96"

3 NON-POWER MOUNT

Install 1/4-20 stud (by others) or IDS Clip (by others) for non-power mounts (1/2" below ceiling plane). Secure canopy to stud or IDS clip using coupler.



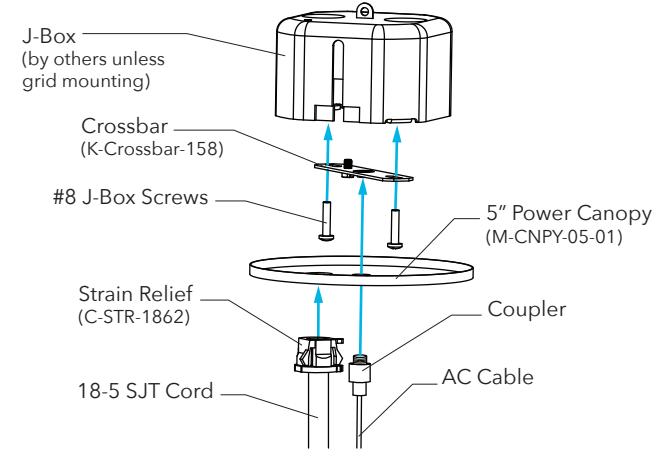
Grid Mounting



Inaccessible Mounting

2 POWER SIDE MOUNT

Install crossbar to J-Box (by others unless grid mounting). Run SJT cord through canopy, secure with strain relief, and make wiring connections inside of J-Box. Feed aircraft cable through coupler, secure canopy to crossbar using coupler.

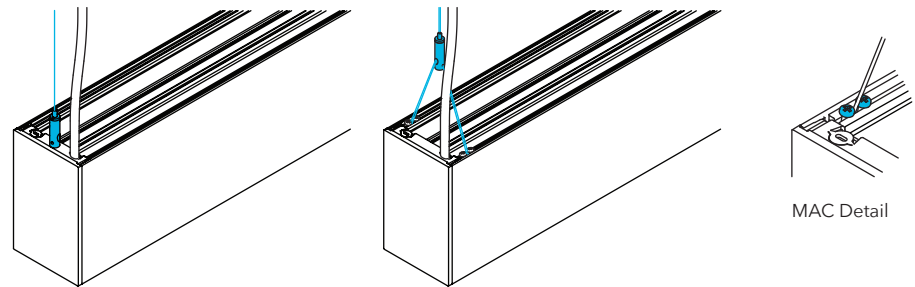


4 MOUNTING FIXTURE

Single AC Cable: Attach gripper to stud at each end of fixture. Level fixture.

MAC Mounting: Run AC cable through gripper. Level fixture. To move MAC location, remove screws from holding Y cable in place, slide to desired location and re-install screws (max distance of 17" from fixture end).

If part of a run, see page 5 for joining instructions.



Single AC Cable

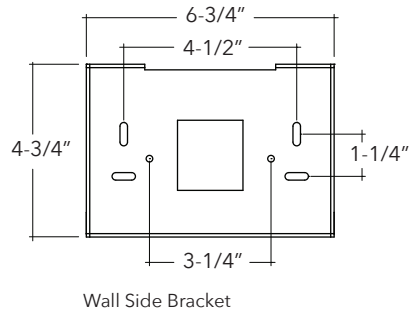
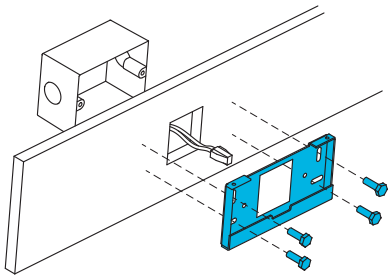
MAC Mounting

MAC Detail



1 LAYOUT

Lay out junction boxes and fasten wall mounting brackets to the proper spacing for fixture type.

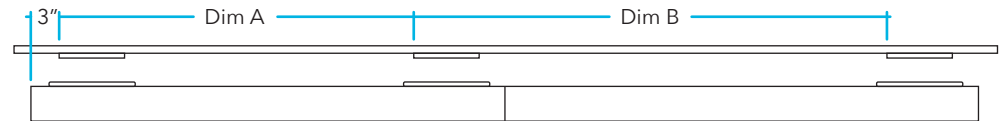


BEGINNING OF ROW OR INDEPENDENT FIXTURE (2 Mounting Brackets)

FIXTURE	DIM A
2'	12"
3'	24"
4'	36"
5'	48"
6'	60"
7'	72"
8'	84"

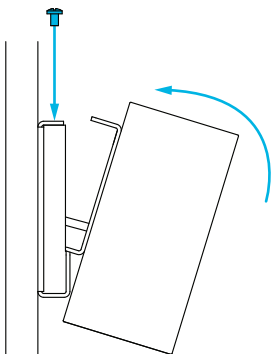
MIDDLE OR END OF ROW FIXTURES (1 Mounting Bracket)

FIXTURE	DIM B
2'	24"
3'	36"
4'	48"
5'	60"
6'	72"
7'	84"
8'	96"



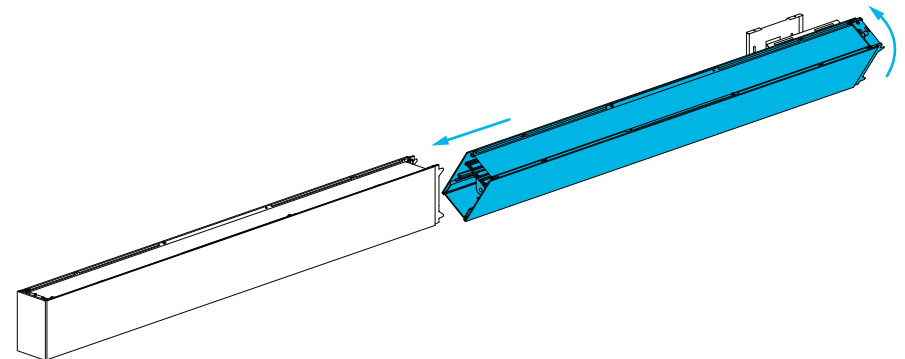
2 POWER AND MOUNTING

Hang first fixture from mounting brackets for hands-free wiring. Connect fixture wiring to building power and recess wires into junction box. Rotate fixture upright and fasten with screws.
(Note: Asymmetric lens option will have sticker on lens indicating wall side.)



3 ADDITIONAL FIXTURES

If installing a run, hang additional fixture on right end and support fixture on left. Connect wires and join to mounted fixture (see additional joining detail on page 5). Fasten with screws.

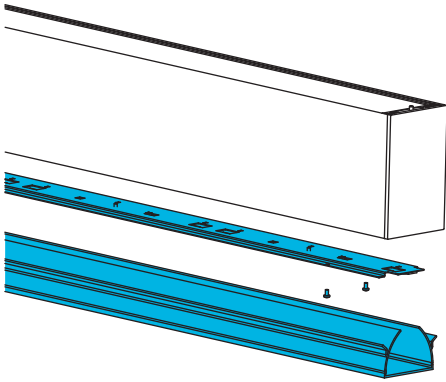
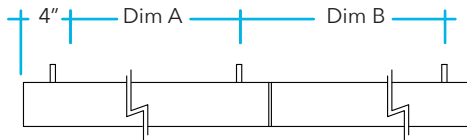




1 LAYOUT

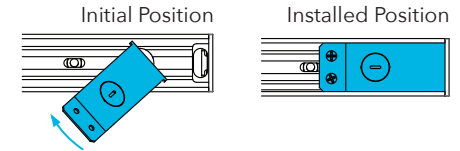
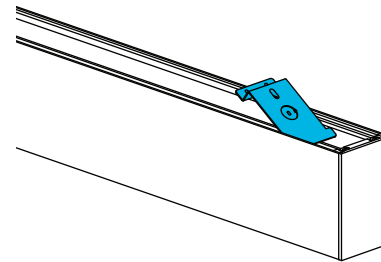
Ensure proper support above fixture (see chart below for mounting dimensions). Remove lens (see page 9 for details) and reflector assembly by removing matte black #8-32 screws.

FIXTURE	A	B
2'	16"	24"
3'	28"	36"
4'	40"	48"
5'	52"	60"
6'	64"	72"
7'	76"	84"
8'	88"	96"



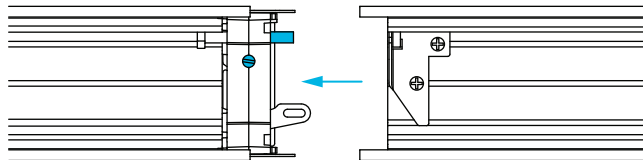
2 MOUNTING AND POWER

Install flex whip to knockout on surface bracket knockout. Insert surface mount brackets on either end of fixture and secure with two #8-32 screws. Make wiring connections inside fixture. Mount fixture to surface using 1/4-20 hardware (by others) based on mounting dimensions in Step 1. Re-install reflector and lens (see page 9 for details).



3 ADDITIONAL FIXTURES

If installing a run, secure opposite end of additional fixture with 1/4-20 hardware. Raise leading end of additional fixture and make electrical connections between fixtures. Align to the second fixture and slide together. Using a flathead drill driver, tighten joiner screw until the two housings are pulled together. Stop when housings meet and **do not over tighten**.



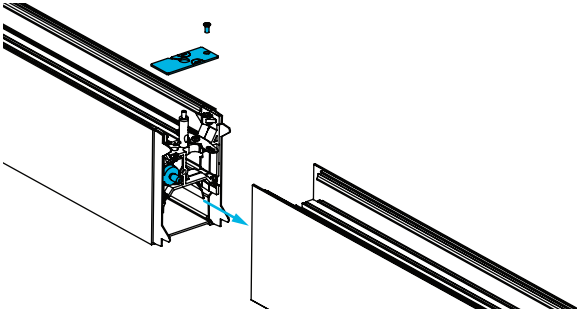


Do not remove lenses of reflectors for standard installations



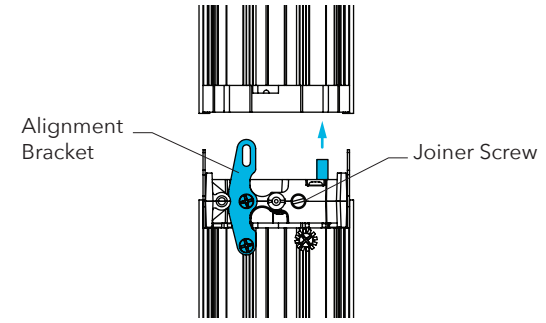
1 FIXTURE CONNECTION

After first fixture in run is installed remove joiner top cover from end of first fixture. Suspend second fixture at the opposite end (*gripper installation may be required*). Raise leading end of second fixture and make electrical connections between fixtures. Align to the second fixture and slide together. Ensure fixtures are level when joining.



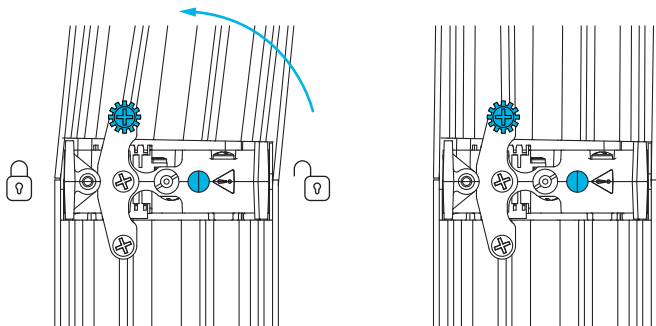
2 TIGHTEN JOINT

Using a flathead drill driver, tighten joiner screw until the two housings are pulled together. Stop when housings meet and **do not over tighten**. Remove extra sems screw from top of housing and install into alignment bracket hole. If fixtures are aligned, reinstall joiner top cover and stop here - installation is complete. If fixtures are not aligned, move to Step 3



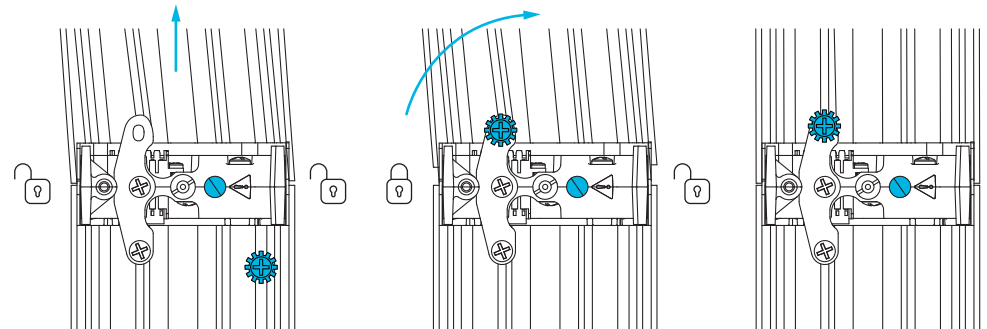
IF NEEDED: FIXTURE ALIGNMENT (counter clockwise)

If fixture needs to rotate counter clockwise to straighten, drive the Straight Joint Mechanism in reverse to straighten the alignment of the housings. Reinstall top cover.



IF NEEDED: FIXTURE ALIGNMENT (clockwise)

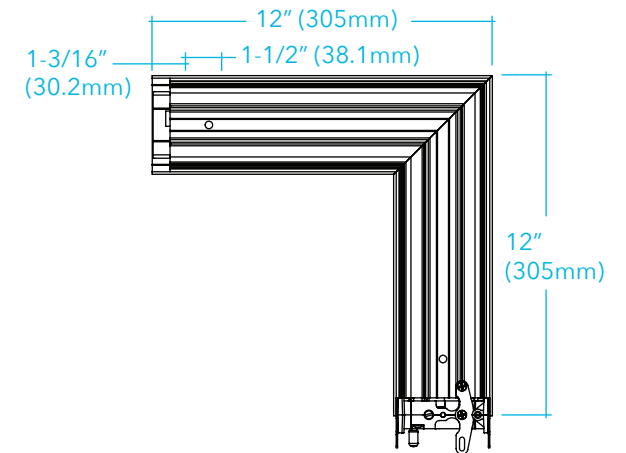
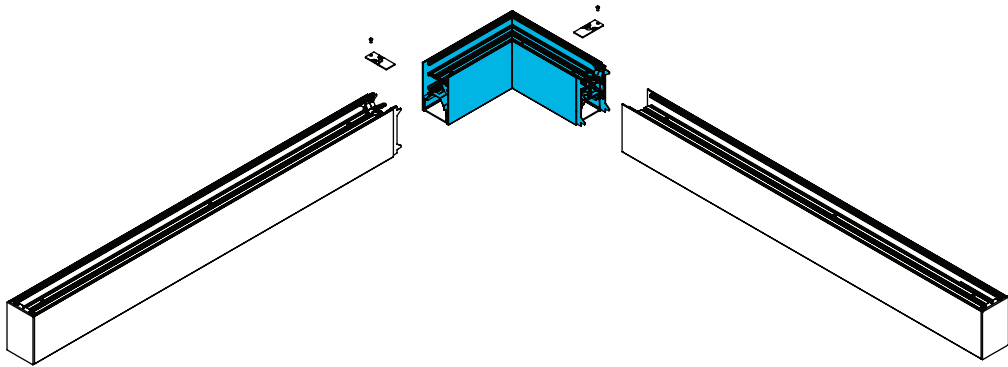
If fixture needs to rotate clockwise to straighten, remove sems screw. Reverse the Straight Joint Mechanism until the housings are separated slightly. Reinstall sems screw in to the bracket; then tighten the Straight Joint Mechanism until housings are aligned. Reinstall top cover.





1 CORNER PIECE

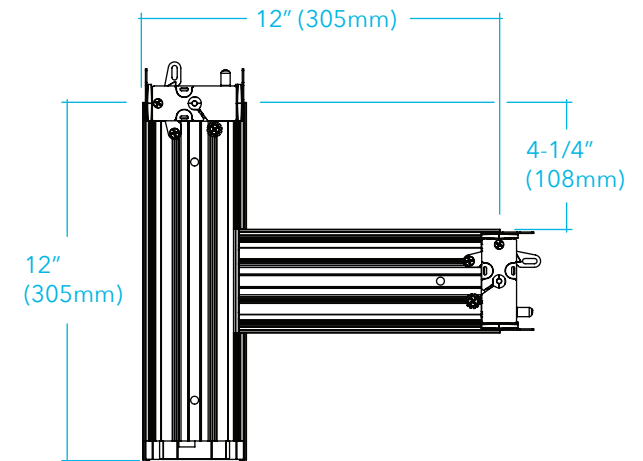
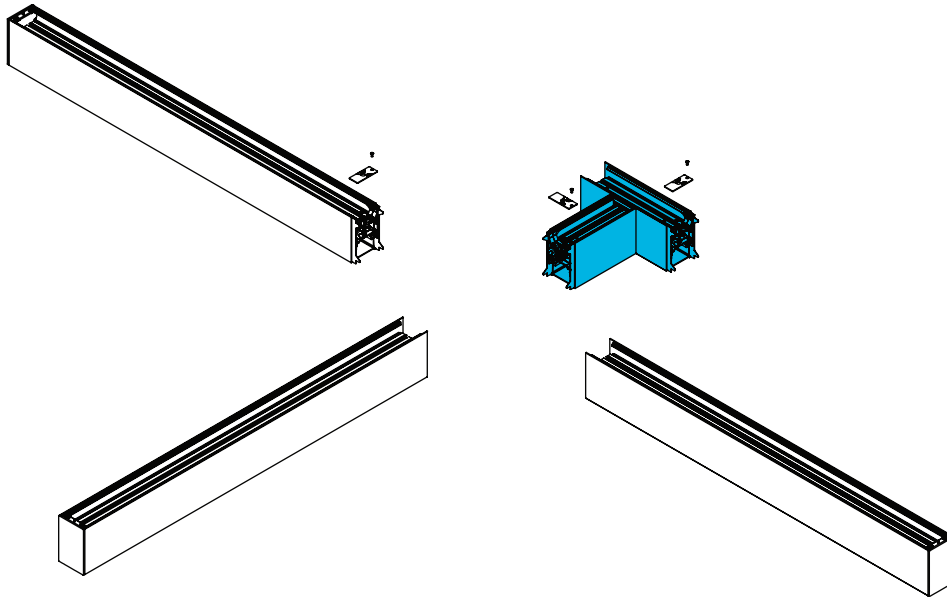
Lay out run pattern, and install mounting hardware. (*Note: corner piece has one mount point per end.*) Remove top cover from corner, attach corner to first fixture. Join fixtures together. Replace top cover. See page 5 for joining details.





1 "T" CONNECTOR PIECE

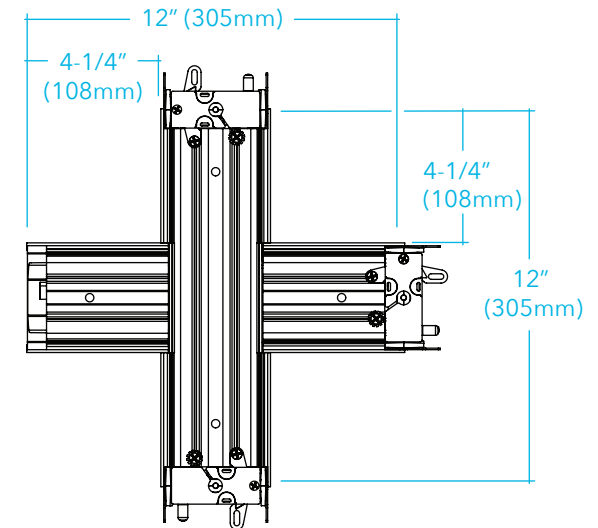
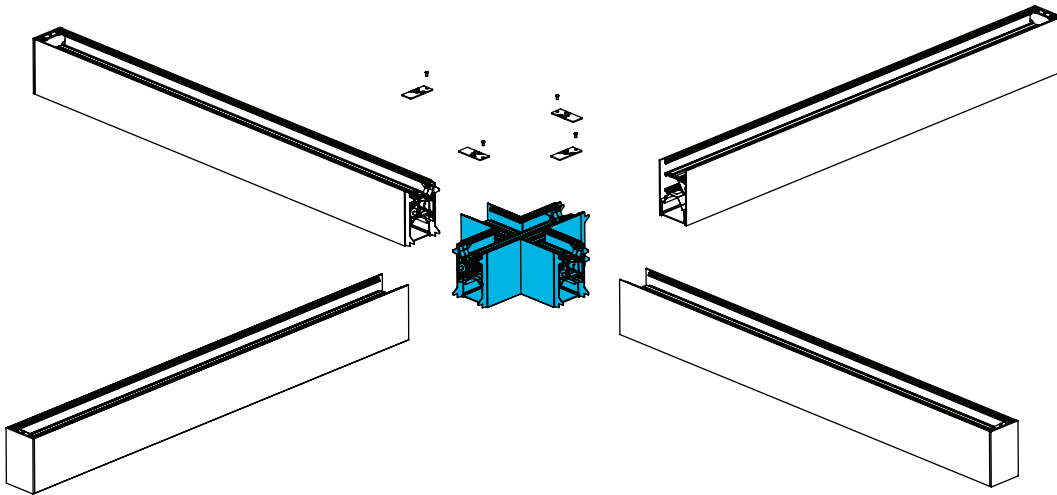
Lay out run pattern, and install mounting hardware. (*Note: corner piece has one mount point per end.*) Remove top cover from corner, attach corner to first fixture. Join fixtures together. Replace top cover. See page 5 for joining details.





1 "X" CONNECTOR PIECE

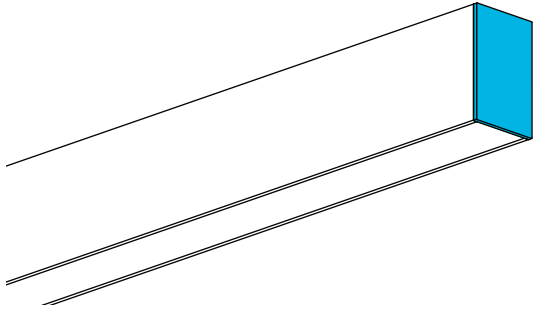
Lay out run pattern, and install mounting hardware. (*Note: corner piece has one mount point per end.*) Remove top cover from corner, attach corner to first fixture. Join fixtures together. Replace top cover. See page 5 for joining details.





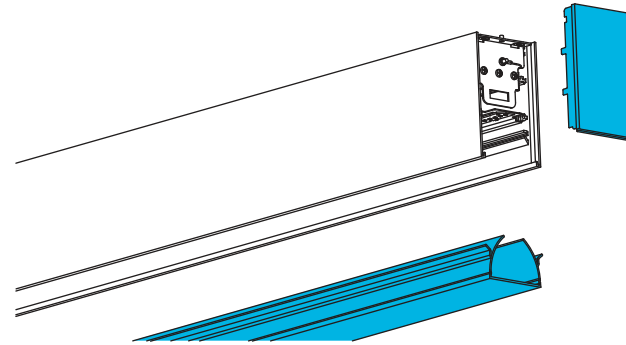
1 LENS REMOVAL

Pry away endcap and remove from fixture. Starting from end of fixture, gently pry lens out of fixture until it is released from the groove.



2 LENS INSTALLATION

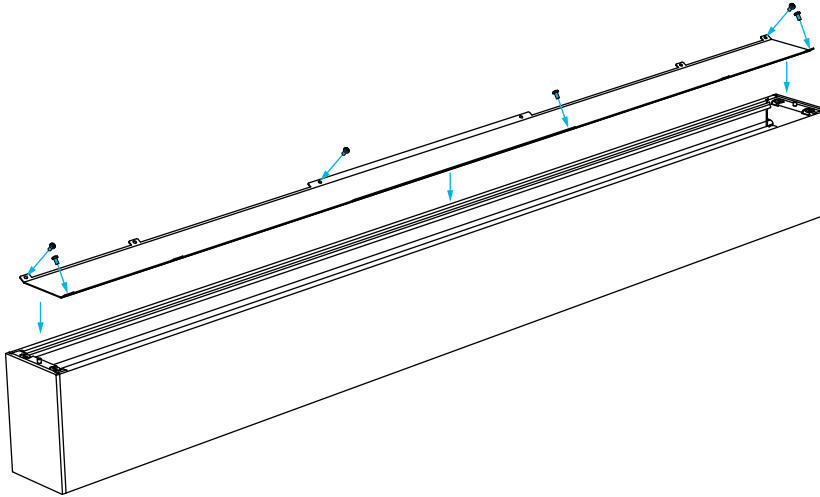
Beginning at one end, squeeze lens legs together and slide into fixture. Slowly insert rest of lens down the length of the fixture, snapping into place. Re-install endcap by snapping on to end of fixture.





1 TOP COVER INSTALLATION

Top Covers are 4ft pieces, each 4ft piece uses 6 screws as shown below. Lay in first top cover against endcap of fixture/run, screw top cover into screw channel to secure, repeat as needed for length of fixture/run.



DISCLAIMERS

All of Pinnacle's packaging is recyclable with the exception of the straps on the pallets. Please reach out to the factory if you need assistance in recycling any packaging components.
This product must be installed in accordance with applicable installation and electrical codes by a professional familiar with the construction and operation of the product.
Minimum 90° C supply conductor.

All electrical connections must be performed by a certified electrician to applicable local and national electrical codes.
Damaged components must never be used.
Contact Pinnacle prior to making any fixture alterations.
Contact Pinnacle with any installation questions or field issues.