

# EDGE EV3DPM

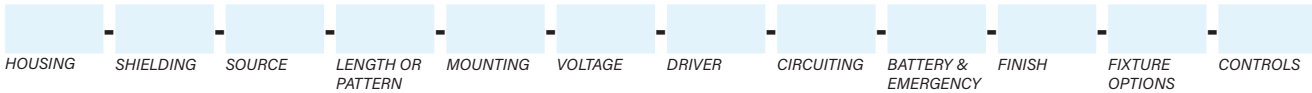
## 3" Recessed Perimeter

### Key Features

- Extruded aluminum trim with formed cold rolled 18 gauge steel back box housing
- Highly reflective white painted steel reflector
- 5-year limited warranty covers LED, driver and fixture
- UL and cUL listed. IC rated
- Approved for dry/damp location unless otherwise noted
- Maximum fixture weight is 15lbs per 4ft fixture
- Room-Side Maintenance for LED system
- Buy American Act compliant
- Indigo-Clean available, see Indigo-Clean specification sheets for details



Example Part #: EV3DPM-HE-830HO-26'-G1-U-PL2-1-0-W



HOUSING	SHIELDING	SOURCE	LENGTH OR PATTERN <sup>2</sup>
<b>EV3DPM</b> - Edge 3, Perimeter <b>EV3DPM2</b> - Edge 3, Perimeter, 2" Regress <b>EV3DPM3</b> - Edge 3, Perimeter, 3" Regress <b>EV3DPM4</b> - Edge 3, Perimeter, 4" Regress <b>MOD</b> - Modifications Available <i>Housing pg. 2</i>	<b>A</b> - Satine Lens <b>HE</b> - High Efficiency Lens <b>R</b> - Regress Lens <b>WHE</b> - Asymmetric Lens <i>Shielding pg. 2</i>	<b>_27_</b> - 2700K <b>_30_</b> - 3000K <b>_35_</b> - 3500K <b>_40_</b> - 4000K <b>CL_</b> - Custom Lumens <b>CW_</b> - Custom Watts <b>MOD</b> - Mod options available <i>Lumen Output pg. 2-3</i>	<b>_</b> - Individual Fixture <b>_</b> - Continuous Row <b>SI</b> - Inside Square <b>SO</b> - Outside Square <b>RI_x_</b> - Inside Rectangle <b>RO_x_</b> - Outside Rectangle <b>UI_x_</b> - Inside U Shape <b>UO_x_</b> - Outside U Shape <b>LI_x_</b> - Inside L Shape <b>LO_x_</b> - Outside L Shape <i>Length pg. 3</i>
MOUNTING <sup>3</sup>	VOLTAGE	DRIVER	CIRCUITING
<b>G1</b> - 1" (15/16") T Bar <b>G9</b> - 9/16" T Bar <b>GB</b> - 9/16" Bevel T Bar <b>GS</b> - Screw Slot T Bar <b>FL</b> - 1/2" Flange <b>NF</b> - Non Flange <b>SF</b> - Spackle Flange <b>MOD</b> - Mod options available <i>Mounting pg. 4</i>	<b>U</b> - Universal <i>(120 thru 277V)</i> <b>1</b> - 120V <b>2</b> - 277V <b>3</b> - 347V <i>Voltage pg. 4</i>	<b>FSD</b> - Factory Select Driver (1%, 0-10v) <b>PL2</b> - Advance Xitanium (1%, 0-10v) <b>OL2</b> - eldoLED Optotronic (1%, 0-10v) <b>OL4</b> - eldoLED Optotronic 347v (1%, 0-10v) <b>EE1</b> - eldoLED ECOdrive (1%, 0-10v) <b>ES1</b> - eldoLED SOLOdrive (0.1%, 0-10v) <b>LH1</b> - Lutron Hi-Lume (1%, EcoSystem) <b>L51</b> - Lutron 5-Series (5%, EcoSystem) <b>PR1</b> - Advance Xitanium SR <b>MOD</b> - Mod options available <i>Driver pg. 5</i>	<b>1</b> - Single Circuit <b>M</b> - Multi Circuit <b>E</b> - Emergency <i>(entire fixture)</i> <b>N</b> - Night Light <i>(entire fixture)</i> <i>Circuiting pg. 6</i>
BATTERY & EMERGENCY <sup>4</sup>	FINISH	FIXTURE OPTIONS	CONTROLS <sup>5</sup>
<b>0</b> - None <b>_FSB</b> - Factory Select Battery <b>_FSG</b> - Factory Select ALCR <b>_GB</b> - Bodine GTD <b>_GI</b> - Iota ETS DR <b>_IC</b> - Iota 10W (CEC Listed) <b>_P</b> - Bodine 10W <b>_E</b> - Emergency Circuit Section <b>_N</b> - Night Light Circuit Section <b>_L</b> - Life Safety Circuit Section <i>Battery and Emergency pg. 6</i>	<b>W</b> - White <b>S</b> - Metallic Silver <b>BL</b> - Textured Black <b>BR</b> - Bronze <b>GR</b> - Graphite <b>CC</b> - Custom Color <i>Finish pg. 6</i>	<b>CP</b> - Chicago Plenum <b>GLR</b> - Internal Fast Blow Fuse <b>FIL</b> - Field Cut Illuminated Extension <b>DSP</b> - Customer Supplied Battery/Driver/ Sensor <b>MOD</b> - Mod options available <i>Fixture Options pg. 6</i>	<b>MOD</b> - Mod options available <i>Controls pg. 7</i>

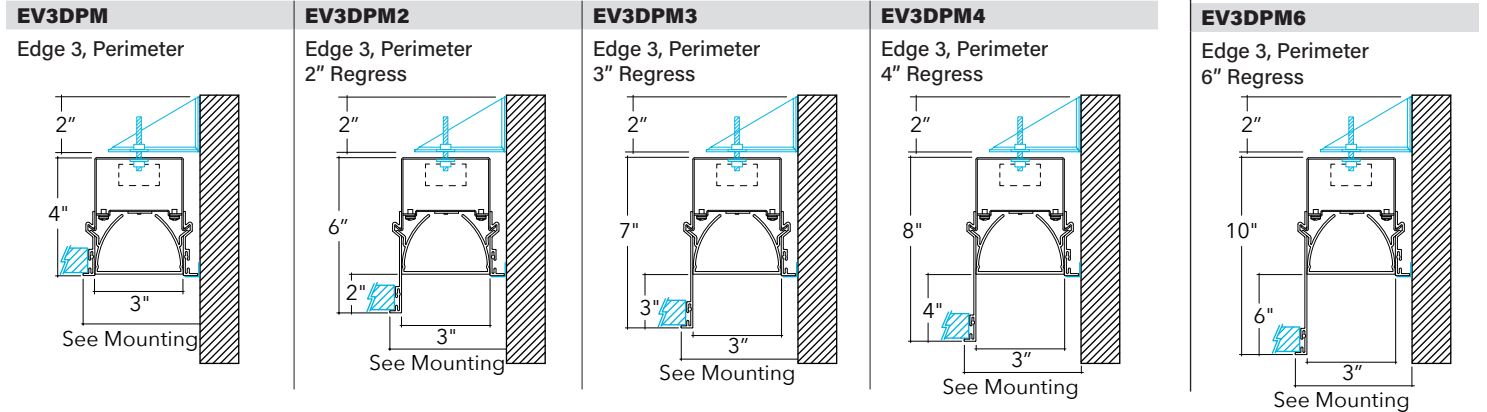
<sup>1</sup>When specifying SOURCE the first \_ is for specifying either 8 - 80CRI or 9 - 90CRI The ending \_ are for specifying output, example HO - High Output. See output charts for more information. <sup>2</sup>Individual fixtures come in 2', 3', 4', 5', 6', 7' & 8' lengths. Continuous row come in 1/8" increments. <sup>3</sup>Specify mounting for individual or continuous length: G1, G9, GS, FL, NF & SF for continuous rows, G1G, G9G, GSG, FLF, NFN & SFS for individual lengths. <sup>4</sup>Enter quantity for Battery and Emergency, Example 2P. <sup>5</sup>Controls can only be used with Single Circuit (1) or Emergency Circuit (E). See Controls chart on page 5 for driver options and more information.

Specifications and dimensions subject to change without notice. Specification sheets that appear on pinnacle-ltg.com are the most recent version and supersede all other previously printed or electronic versions.



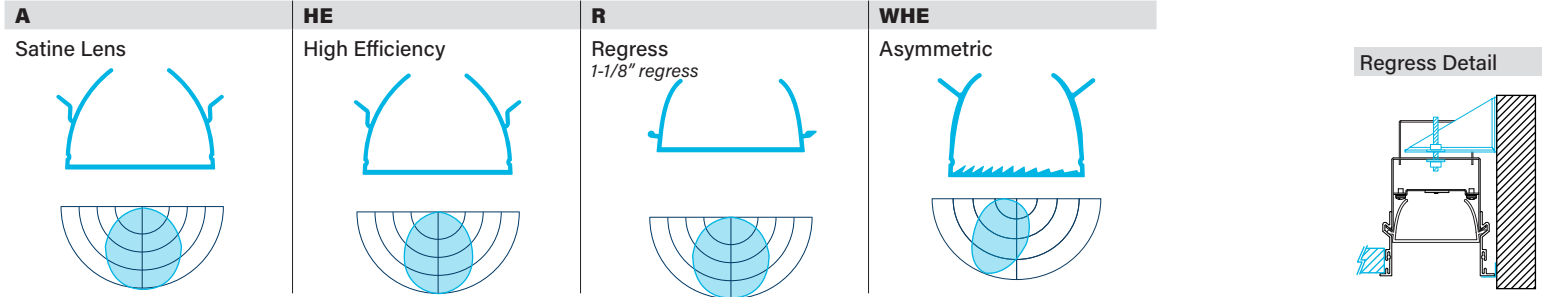
### Housing

- Mounting bolt allows for adjustability of mount height. If fixture is flushed to mount bracket, distance to ceiling would be bracket height (2") + fixture height (dependent on regress).



### Shielding

- Regress Lens option uses housing with backbox. Back box does not impact mounting, see detail.
- Asymmetric Lens option recommended for use pointing away from wall.
- Regress Lens option not available with corners.



### Source: White LED<sup>1</sup>

- Specify either 80 or 90 CRI
- Longer lead-time may apply for 90 CRI. Consult factory
- 90 CRI = R9≥50

### Custom Output - Lumens OR Wattage

<b>CL</b> _____	Specify CRI, CCT and desired lumens (i.e. CL835500)	Specify lumens between standard offering listed below. Lumens are specified per color temp
<b>CW</b> _____	Specify CRI, CCT and desired wattage (i.e. CW9407)	Specify watts between standard offering listed below

### 80 CRI

	Color	Lumens per foot	Shielding <sup>1</sup>							
			A Satine		HE High Efficiency		R Regress		WHE Asymmetric	
			LPW	Watts/ft	LPW	Watts/ft	LPW	Watts/ft	LPW	Watts/ft
<b>830</b>	3000K	500	119	4.2	134	3.7	117	4.3	131	3.8
<b>830HO</b>	3000K	750	119	6.3	139	5.4	117	6.4	135	5.5
<b>830VHO</b>	3000K	1000	122	8.2	140	7.1	119	8.4	136	7.3
<b>835</b>	3500K	500	123	4.1	138	3.6	121	4.1	135	3.7
<b>835HO</b>	3500K	750	123	6.1	144	5.2	120	6.2	140	5.3
<b>835VHO</b>	3500K	1000	126	7.9	144	6.9	123	8.1	141	7.1
<b>840</b>	4000K	500	123	4.1	138	3.6	121	4.1	135	3.7
<b>840HO</b>	4000K	750	123	6.1	144	5.2	120	6.2	140	5.3
<b>840VHO</b>	4000K	1000	126	7.9	144	6.9	123	8.1	141	7.1

### 90 CRI

<b>927</b>	2700K	500	100.3	5.0	113	4.4	97	5.2	110	4.5
<b>927HO</b>	2700K	750	102.7	7.3	112	6.7	98	7.6	109	6.9
<b>930</b>	3000K	500	108.3	4.6	123	4.1	103	4.8	120	4.2
<b>930HO</b>	3000K	750	105.9	7.1	123	6.1	106	7.1	120	6.3
<b>935</b>	3500K	500	107.9	4.6	122	4.1	103	4.9	119	4.2
<b>935HO</b>	3500K	750	105.5	7.1	123	6.1	105	7.1	119	6.3
<b>940</b>	4000K	500	107.9	4.6	122	4.1	103	4.9	119	4.2
<b>940HO</b>	4000K	750	105.5	7.1	123	6.1	105	7.1	119	6.3

<sup>1</sup>LPW and watts/ft based off 47" fixture size.

Specifications and dimensions subject to change without notice. Specification sheets that appear on pinnacle-ltg.com are the most recent version and supersede all other previously printed or electronic versions.

Designed in Denver, CO - USA | pinnacle-ltg.com | O: 303-322-5570 F: 303-322-5568

EV3DPM\_LED\_SPEC\_NOV2023



### Source: MOD Options

- Specify **MOD** in the part number for any of the below options
- All **RGB**\_ Source Options will require specific driver and control
- Consult factory for **MOD** specification details, pricing, and lead-time information

		Required Driver	Required Control
<b>MOD</b>	Color Changing RGB LED	EC1/EC4	DMX
	Color Changing RGB-W LED	EC1/EC4	DMX
	Color Changing RGB-A LED	EC1/EC4	DMX
	2 Channel Tunable White		
	Dynamic BIOS		

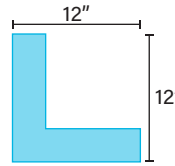
### Length

- All individual units cannot be joined, end trims are factory installed and cannot be removed
- Refer to Pattern section for specification and ordering options
- Continuous Rows are made up of even and odd length fixtures; designed to fall on-grid

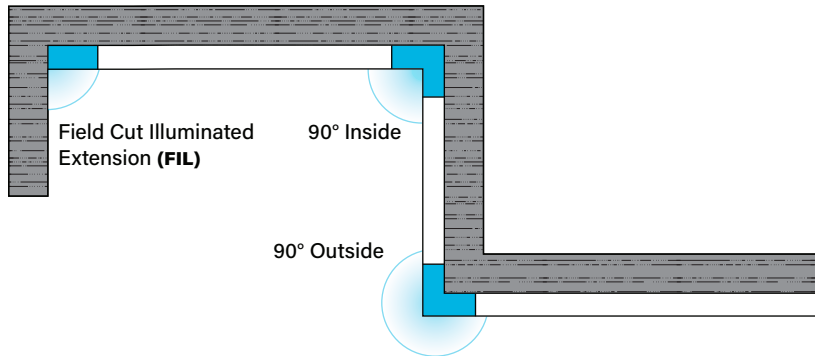
2	3	4	5	6	7	8	—
Indiv. Fixture	Indiv. Fixture	Indiv. Fixture	Indiv. Fixture	Indiv. Fixture	Indiv. Fixture	Indiv. Fixture	Cont. Run Specify nominal overall row length to the 1/8"
23" (584.2mm)	35" (889mm)	47" (1193.8mm)	59" (1498.6mm)	71" (1803.4mm)	83" (2108.2mm)	95" (2413mm)	
							Specify to the 1/8" >>>

### Pattern

- Specify pattern shape and overall dimensions (includes corner dimensions)
- 90 degree horizontal corners are 12"x12" (overall, outside dimension)
- Use with Field Cut Illuminated extensions (**FIL**) to fit to wall to wall dimensions
- Not all drivers available with all patterns; consult factory



<b>SI_</b>	<b>SO_</b>	<b>RI_x_</b>	<b>RO_x_</b>	<b>UI_x_x_</b>	<b>UO_x_x_</b>	<b>LI_x_</b>	<b>LO_x_</b>
Square, Inside ( <b>SI</b> ) or Outside ( <b>SO</b> ) Provide overall length dimension for each fixture leg		Rectangle, Inside ( <b>RI</b> ) or Outside ( <b>RO</b> ) Provide overall length dimension for each fixture leg		U-Shape, Inside ( <b>UI</b> ) or Outside ( <b>UO</b> ) Provide overall length dimension for each fixture leg		L-Shape, Inside ( <b>LI</b> ) or Outside ( <b>LO</b> ) Provide overall length dimension for each fixture leg	



Specifications and dimensions subject to change without notice. Specification sheets that appear on pinnacle-ltg.com are the most recent version and supersede all other previously printed or electronic versions.



## Mounting

- Individual units cannot be joined, end trims are factory installed and cannot be removed
- Designed to install into acoustical grid and inaccessible ceilings
- Grid retention brackets integral to housing and require mechanical attachment
- Each housing contains 4 grid retention brackets
- Tie off fixture to structure with retention wires
- Approved for dry/damp location unless otherwise noted

G1	G9	GB	GS	FL	NF	SF
<p>1" (15/16") T-Bar Flange to Flange: 3-13/16" (96.5mm)</p> <p>Standard Tile</p> <p>Tegular Tile</p>	<p>9/16" T-Bar For tegular tile installations, fixture position will not be flush to the bottom of the tile Flange to Flange: 3-13/16" (96.5mm)</p> <p>Standard Tile</p> <p>Tegular Tile</p>	<p>9/16" T-Bar Rail has bevel edge details. For tegular tile installations, fixture position will be flush to the bottom of the tile Flange to Flange: 3-13/16" (96.5mm)</p> <p>Tegular Tile</p>	<p>Screw Slot &amp; 9/16" T-Bar For 9/16" installations with tegular tile, fixture position will be flush to the bottom of the tile Flange to Flange: 3-13/16" (96.5mm)</p> <p>Tegular Tile</p>	<p>Exposed Standard 1/2" Flange Detail Flange to Flange: 4-1/8" (104.1mm)</p>	<p>Metal Pan or Millwork Flange to Flange: 3-7/16" (86.6mm)</p>	<p>Drywall, Flangeless Detail Flange to Flange: 4-15/16" (126.5mm)</p>

## Mounting: MOD Options

- Specify **MOD** in the part number for any of the below options
- Consult factory for **MOD** specification details, pricing, and lead-time information

	Description
<b>MOD</b>	Alternative Ceiling Solutions

## Voltage

- Some EV3D configurations will not accommodate all voltage options; consult with factory

<b>U</b>	Universal
<b>1</b>	120 volt
<b>2</b>	277 volt
<b>3</b>	347 volt



## Driver

- Standard Driver Option = FSD
- Driver Lifetime: 50,000 hours at 25°C ambient operating conditions
- For more driver options see Pinnacle Resource Guide
- Some EV3D configurations will not accommodate all driver options; consult with factory

### 0-10V Drivers

<b>FSD</b>	Factory Select Driver 1%, 0-10v
<b>PL2</b>	Signify Advance Xitanium 1%, 0-10v
<b>PL4</b>	Advance Xitanium 347v 1%, 0-10v, requires 347v
<b>OL2</b>	eldoLED Optotronic, 1%, 0-10v
<b>OL4</b>	eldoLED Optotronic 347v, 1% 0-10v, requires 347v option
<b>EE1</b>	eldoLED ECOdrive 1%, 0-10v Logarithmic
<b>EE2</b>	eldoLED ECOdrive 1%, 0-10v Linear
<b>ES1</b>	eldoLED SOLOdrive 0-10v, 0.1% Logarithmic
<b>ES2</b>	eldoLED SOLOdrive 0-10v, 0% Linear
<b>OL5</b>	eldoLED Optotronic 1%, 0-10v, AUX
<b>PL5</b>	Advance Xitanium 1%, 0-10c, AUX

### DALI Drivers

<b>EE3</b>	eldoLED ECOdrive .1%, DALI (logarithmic)
<b>ES3</b>	eldoLED SOLOdrive .1%, DALI (logarithmic)
<b>OD1</b>	eldoLED Optotronic 1%, DEXAL
<b>OD2</b>	eldoLED Optotronic 1%, DALI 2 Channel

### Lutron Drivers

<b>LH1</b>	Lutron Hi-lume Soft-on, Fade-to-black 1%, EcoSystem, LDE1
<b>LH4</b>	Lutron Hi-Lume 1%, 2-wire, Lutron-LTEA2W, 120v only

### Alternate Drivers

<b>PS1</b>	Signify Advance Xitanium Step Dimming 50%/100%
<b>PR1</b>	Philips Advance Xitanium SR, requires EASYS, VDO, or VRF
<b>EH1</b>	ELV 120v only, 0-10v universal

## Driver: MOD Options

- Specify **MOD** in the part number for any of the below options
- Consult factory for **MOD** specification details, pricing, and lead-time information

	Description
<b>MOD</b>	Power Over Ethernet

## How to specify Circuiting, Battery and Emergency

- Select fixture circuiting from options below
  - Some EV3D configurations will not accommodate all circuiting options, consult with factory

### Circuiting

<b>1</b>	Single Circuit
<b>M</b>	Multi Circuit <i>(Not available with controls)</i>
<b>E</b>	Emergency Circuit only <i>(uses nIO EZ PH ER with NLIGHT)</i>
<b>N</b>	Night Light Circuit only

- Battery and emergency section options are available in addition to fixture circuit
  - Select battery and emergency section options below; factory shop drawing required
  - Some EV3D configurations will not accommodate all circuiting options, consult with factory

### Battery and/or Emergency *If Required*

<b>0</b>	No battery or specific emergency section required
----------	---



## Battery

- Select battery section type if required, indicate total QTY. *Example 2P*
- 90 minute battery runtime; test button is remote
- No battery option available for 2' & 3' lengths

- Entire fixture is on battery for lengths up to 5'
- Half of fixture is on battery for 6' or 8' housing lengths
- For more battery options available, see Pinnacle Resource Guide

<b>0</b>	No Battery
<b>_FSB</b>	Factory Select Battery (10w option)
<b>_FSBST</b>	Factory Select Battery (10w, Self Testing)
<b>_IC</b>	lota 10w Integral
<b>_ILL</b>	lota 10w Integral Lithium, Self Testing
<b>_IRH</b>	lota 20w Remote
<b>_P</b>	Bodine 10w Integral
<b>_PRH</b>	Bodine 20w Remote
<b>_PLL</b>	Bodine 10w Integral Lithium, Self Testing

### For Approximate Battery Lumen Output

- Multiply battery wattage X fixture LPW shown on Lumen Table
- 92.3 (LPW) x 10 (watts) = 923 battery lumen output

## Emergency

- Select emergency section type if required, indicate total QTY. *Example 1E*
- Combine battery and emergency section ordering codes if both options are selected

<b>_FSG</b>	Factory Select Automatic Load Control Relay (ALCR), UNV
<b>_GI</b>	Emergency Transfer Switch (ETS) DR Emergency Control Device, UNV
<b>_GB</b>	Bodine GTD, Generator Transfer Device, 120v or 277v
<b>_E</b>	Emergency circuit section
<b>_N</b>	Night Light circuit section
<b>_L</b>	Life Safety circuit section NO THROUGH WIRE

### Battery OR Emergency Ordering Examples

- Single circuit, 10w Integral Battery      Ordering Code: 1-1P
- Emergency only, 10w Integral Battery      Ordering Code: E-1P
- Single circuit, GTD required                  Ordering Code: 1-1G

### Combination Section Ordering Examples

- Single circuit, (1) 10w battery, (1) emergency section      Ordering Code: 1-1P1E
- Multi circuit, (2) 10w battery, (2) emergency sections      Ordering Code: M-2P2E
- Single circuit, (1) night light section                              Ordering Code: 1-1N

## Finish

- Standard powder-coat textured white, metallic silver, textured black, graphite or bronze painted finish; consult factory for chip of standard paint finishes
- Selecting a fixture finish other than white may impact lumen output; consult factory for more information

<b>W</b>	White
<b>S</b>	Metallic Silver
<b>BL</b>	Textured Black
<b>GR</b>	Graphite
<b>BR</b>	Bronze
<b>CC</b>	Custom Color

## Fixture Options

- Additional options to enhance the fixture and finish of the product
- FIL has 2" min - 12" max length

- FIL Option angle range is 40° to 90°
- FIL Option is not IC rated

<b>CP</b>	Chicago Plenum
<b>GLR</b>	Internal Fast Blow Fuse
<b>DSP</b>	Customer Supplied Battery/Driver/Sensor
<b>FIL</b>	Field Cut Illuminated Extension

## Fixture Options: MOD Options

- Specify **MOD** in the part number for any of the below options
- Consult factory for **MOD** specification details, pricing, and lead-time information

<b>MOD</b>	Remote Driver
------------	---------------



## Controls: MOD Options

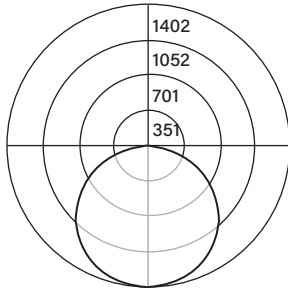
- Specify **MOD** in the part number for any of the below options
- Control** Options may require specific driver. Refer to the chart below
- Consult factory for **MOD** specification details, pricing, and lead-time information

MOD	Legrand Wattstopper DLM	Required Driver
	Encelium Sensilum	OL2, OL4
	Enlighted (Wireless) - ENLI	OD1, OL5
	Enlighted (Wireless) - ENLC	Any 0-10v
	Acuity nLight Air Wireless Connected	Any 0-10v
		EE6, ES6

## Photometrics

### Satine Lens

Test #	91432, 93985 <sup>1</sup>
Catalog #	EV3D-A-840VHO-4
Lumens	4020 lm
Watts	32.3 w
Efficacy	124.6 LPW



### Candela Distribution

Vert Angle	Horizontal Angle				
	0	22.5	45	67.5	90
0	1400	1400	1400	1400	1400
5	1393	1395	1397	1398	1399
15	1348	1344	1350	1350	1348
25	1253	1245	1253	1254	1247
35	1112	1104	1112	1108	1105
45	940	932	935	932	930
55	734	730	730	729	727
65	507	504	503	501	503
75	269	268	271	273	274
85	65	66	70	73	73
90	0	0	0	0	0

### Luminance Data (cd/sq.m)

Angle In Degrees	Average 0-Deg	Average 45-Deg	Average 90-Deg
45	10950	10892	10833
55	10541	10483	10440
65	9882	9804	9804
75	8561	8625	8720
85	6143	6616	6899

<sup>1</sup>Based on ITL Reports 91432 and 93985.

For all available IES files, please visit our website at [pinnacle-ltg.com](http://pinnacle-ltg.com). Photometry testing in accordance to IESNA-LM-79-08 at an NVLAP accredited testing laboratory. Testing conducted at 25°C ambient conditions.



## Applications & Certificates

**Housing:** Formed cold-rolled 18 gauge steel housing. Highly reflective die-formed white painted steel reflector.

**Shielding:** Diffuse snap-in acrylic lens, removable for maintenance.

**Mounting:** EDGE is designed to install into acoustical grid and inaccessible ceilings. Specify GXG, FLF, SFS, NFN for individual, unjoinable units (individual units will fall on-grid). Specify GX, FL, SF, NF for continuous runs (runs designed to fall on-grid). Consult factory for detailed installation instructions. Maximum fixture weight is 15lbs per 4' fixture.

**LED:** 25°C test environment. Lumen output/wattage has a margin of +/- 5%; 2' or 3' lengths may have a greater wattage deviation. Luminaire configurations tested in accordance with IES LM-79. Diodes tested in accordance with IES LM-80. Lifetime calculated using IES TM-21. Minimum lifetime greater than 60,000 hours. Lifetime Projection L70 = 121,600 hours and L90 = 36,200 hours. MacAdam 3-Step Ellipses. Not all products are Lighting Facts listed. For all available IES files, please visit our website at [pinnacle-ltg.com](http://pinnacle-ltg.com).

**BIOS LED:** Spectrum focused lighting for circadian stimulus. EML or M/P ratio: .8 for 3500K, .9 for 4000K. COI >3.0. Not all lumen packages available. Two lumen packages available. Standard, and High (HO). Custom outputs are available. Specify custom lumens or watts between standard offering listed on CRI, CCT & Output page.

**CRI, CCT & Lumen Output:** Three lumen packages available. Standard, High (HO) and Very High (VHO). Custom outputs are available. Specify custom lumens or watts between standard offering listed on CRI, CCT & Output page. 80 CRI is available for 3000K, 3500K, and 4000K. 90 CRI is available for 2700K, 3000K, 3500K, and 4000K. 90 CRI = R9≥50.

**Voltage:** Universal (U), 120 volt (1), 277 volt (2) and 347 volt (3) options available. Must specify OL4 in Driver section when 347 volt (3) is selected. Some EDGE configurations will not accommodate all voltage options; consult with factory.

**Driver:** Standard Driver Option is Advance Xitanium 0-10V, 1% = PL2. Electronic driver, power factor is >0.9 with a THD <20%. Driver Lifetime: 50,000 hours at 25°C ambient operating conditions. Ambient operating range: -20°F/-30°C to 98°F/37°C. For more driver options, see Pinnacle Resource Guide. Some EDGE configurations will not accommodate all driver options.

**Circuiting:** Select from single circuit (1), Multi circuit - For multiple circuiting and zone control, requires factory shop drawing (M), Emergency circuit (E), Life Safety (L) or Night Light circuit (N). For emergency circuiting situations that require no through wire or circuit separation, Life Safety Circuit should be selected. This will provide a separate power feed and only the Life Safety Circuit in that section. Some EDGE configurations will not accommodate all circuiting options; consult with factory.

**Battery & Emergency:** Select battery or emergency options if required. If battery or emergency option is not required, enter 0. Battery duration is 90 minutes as standard. Test button is remote to fixture. For more Battery options, see Pinnacle Resource Guide.

**Finish:** Standard powder-coat textured white, metallic silver, textured black, graphite or bronze painted finish; consult factory for chip of standard paint finishes or for additional custom color and finish options.

**Controls:** (B3LM) Wattstopper control of Intensity and CCT for tunable white, allows simple integration into a Wattstopper DLM control system. Blanco 3 offers the highest quality tunable white by mixing three channels of white LEDs for precise black body curve CCT. Uses constant voltage LED driver (EC2), BLM and Blanco 3 channel LED arrays (TW3).

**Labels:** UL and cUL 1598 listed. Standard, HO and VHO lumen packages are IC Rated, approved for dry/damp location unless otherwise noted.

**Fixture Weight:** Maximum fixture weight is 15lbs per 4' fixture.

**Buy American Act Compliant**

**Warranty:** EDGE LED offered with a 5-year limited warranty. Covers LED, driver and fixture.