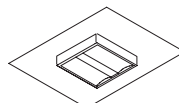
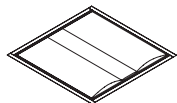
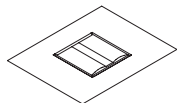
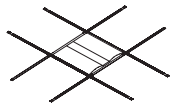




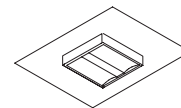
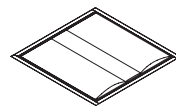
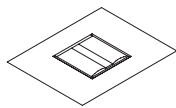
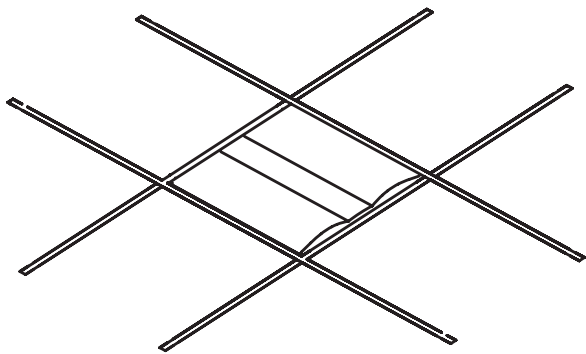
ADEO INSTALLATION INSTRUCTIONS

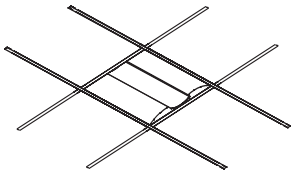
Grid Ceiling Installation	2-3
Inaccessible Installation	4-7
Surface Mount Box Installation	8-10
Maintenance Sheet	11





ADEO GRID CEILING INSTALLATION

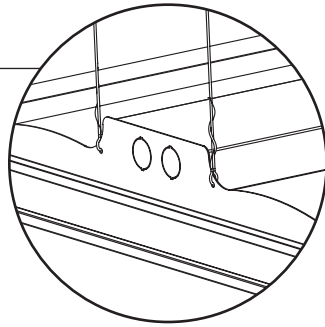
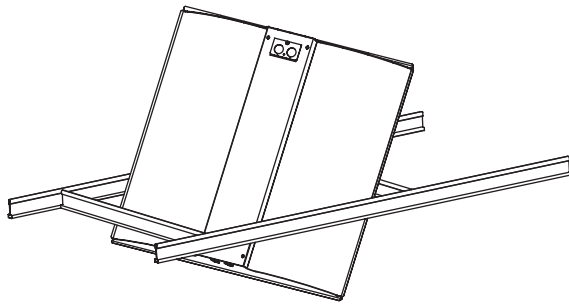




ADEO Grid Ceiling Installation

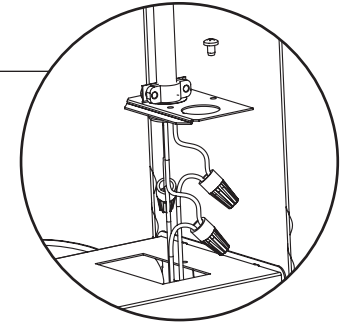
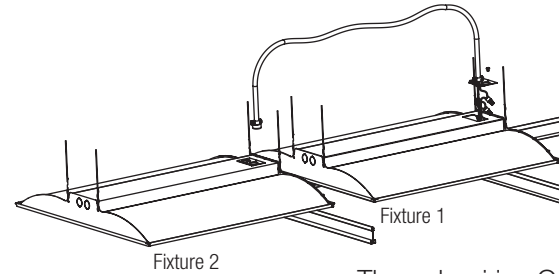
Step 1: T-Grid Installation

1. Position fixture up through grid opening.
2. Lower fixture so fixture flanges rest on T-Grid.
3. Tie off fixture to structure with retention wires (by others).



Step 2: Making the Connections

1. Remove electrical cover, remove knockout, attach building supplied conduit.
2. Make electrical connections, recess wires into fixture cavity and attach cover.

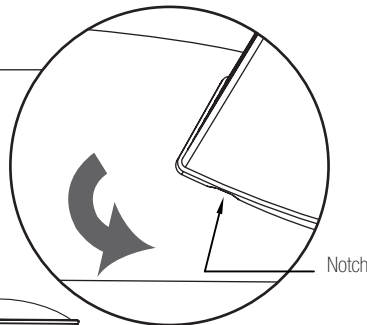
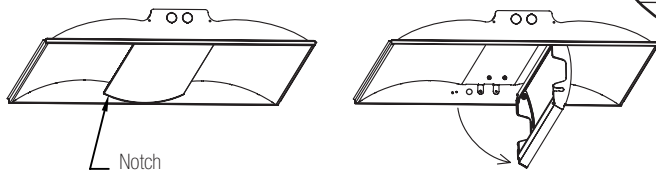


Through-wiring Option *shown with optional flex whip.

1. Pull wiring from fixture 1 into fixture 2 using whip assembly with snap in connectors.
2. Make wiring connections in fixture 2.

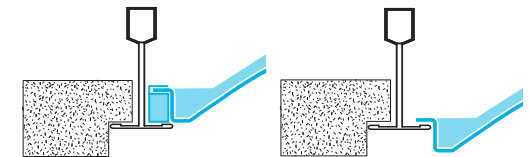
Step 3: Installing Lamps

1. Locate notch on lens endcap, pull down from notched side of lens to open.
2. Lens remains captive to fixture for lamp installation and maintenance.



G9 mounting option

Please note, G9 mounting type included plastic bumper on fixture rail to allow fixture to sit flush on grid. If you want fixture to hang below G9 grid simply remove and discard bumper.



Designed in Denver Colorado

Phone: 303.322.5570

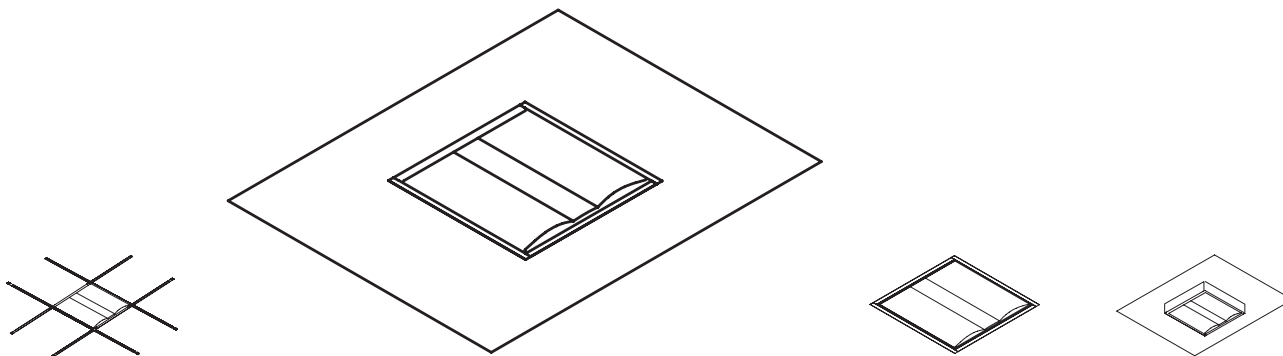
www.pinnacle-ltg.com

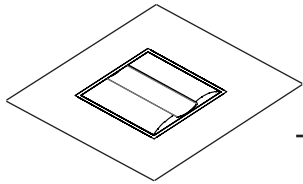
A brand of Legrand®

1. This product must be installed in accordance with applicable installation and electrical codes by a professional familiar with the construction and operation of the product.
2. Minimum 90°C supply conductors.
3. All electrical connections must be performed by a certified electrician to applicable local and national electrical codes.
4. Contact Pinnacle prior to making any fixtures alterations.
5. Contact Pinnacle with any installation questions or field issues.



ADEO INACCESSIBLE INSTALLATION

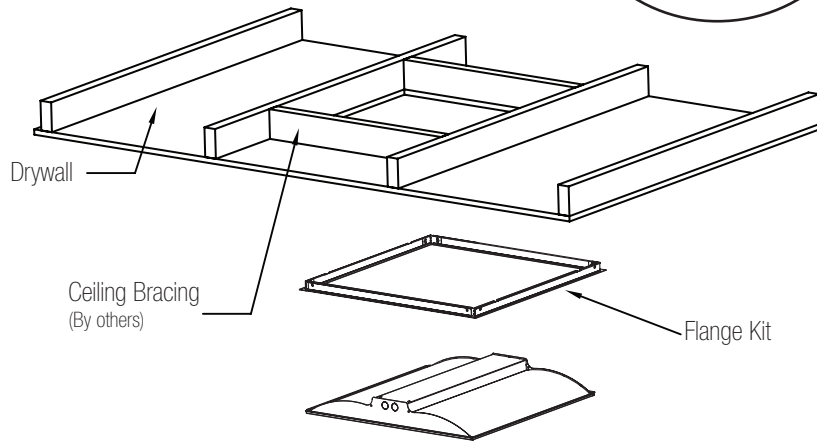
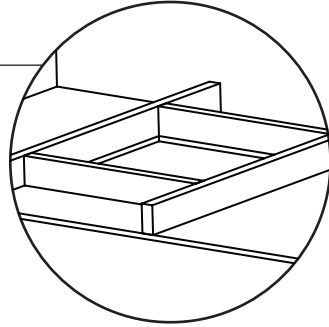




ADEO Inaccessible Installation

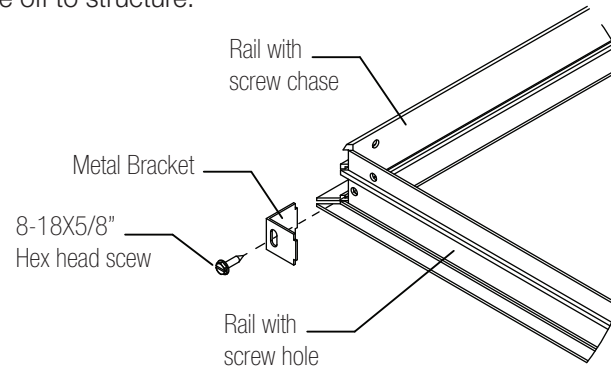
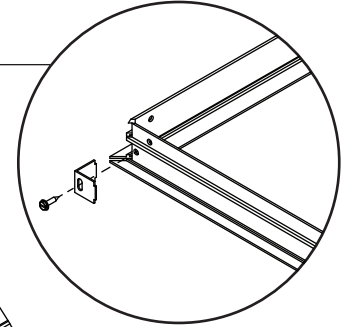
Step 1: Rough in

1. Build ceiling framing.
2. Make appropriate cut out in drywall (see Dimension chart below).
3. Install flange kit.



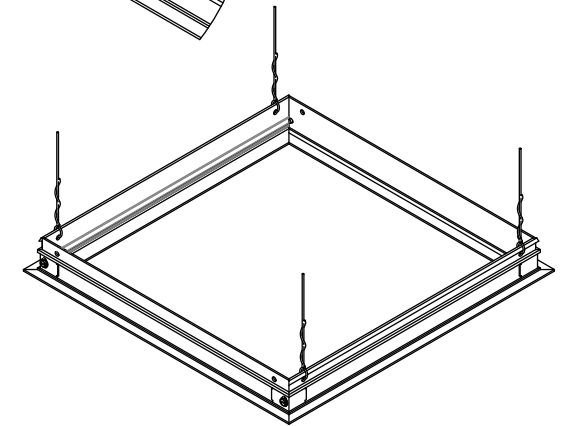
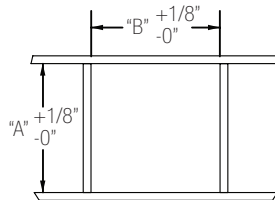
Step 2: Setting up the Flange Kit

1. Slide bracket into the rail with the screw chase and rail with the screw hole making sure the screw slot lines up with the whole.
2. Use the four 8-18x5/8" Hex head screws provided to screw the brackets into the corners.
3. Place assembled flange kit into ceiling cut out and tie off to structure.



Dimension Chart

Fixture Size	Dim "A"	Dim "B"
1x4	12-3/4"	48-3/4"
2x2	24-3/4"	24-3/4"
2x4	24-3/4"	48-3/4"



Designed in Denver Colorado

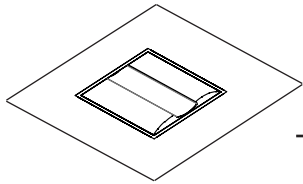
Phone: 303.322.5570

www.pinnacle-ltg.com

A brand of **legrand**

All of Pinnacle's packaging is recyclable with the exception of the straps on the pallets. Please reach out to the factory if you need assistance in recycling any packaging components. © 2023 Pinnacle Architectural Lighting

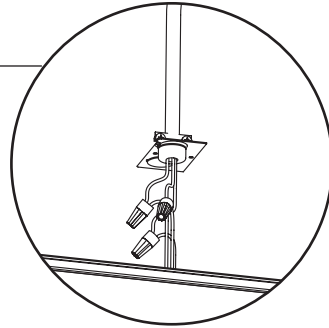
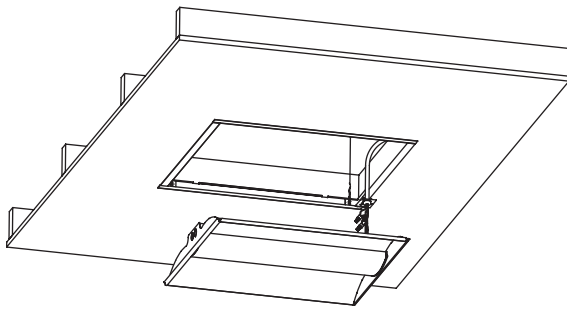
1. This product must be installed in accordance with applicable installation and electrical codes by a professional familiar with the construction and operation of the product.
2. Minimum 90°C supply conductors.
3. All electrical connections must be performed by a certified electrician to applicable local and national electrical codes.
4. Contact Pinnacle prior to making any fixtures alterations.
5. Contact Pinnacle with any installation questions or field issues.



ADEO Inaccessible Installation

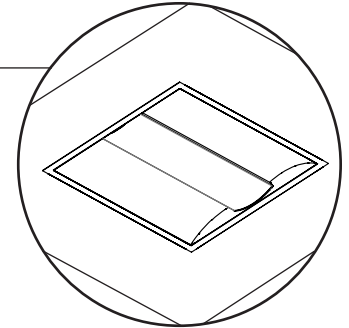
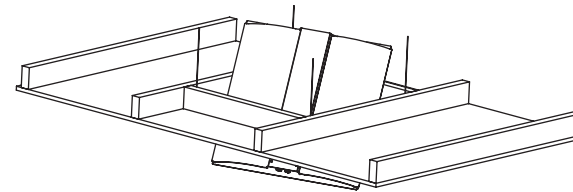
Step 3: Making the Connections

1. Remove electrical cover, remove knockout, attach building supplied conduit.
2. Make electrical connections, recess wires into fixture cavity and attach cover.



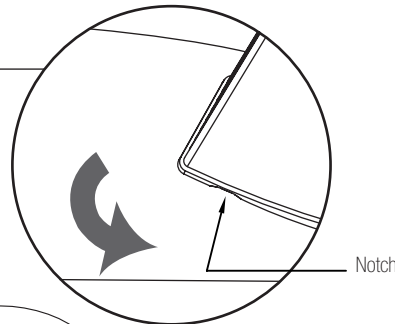
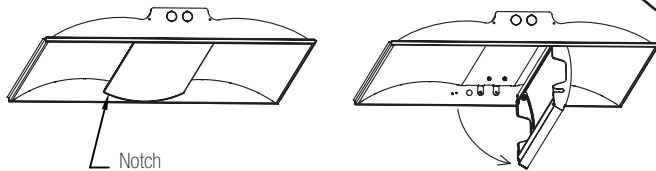
Step 4: Install Fixture into Ceiling

1. After wiring the fixture and checking all connections, carefully install fixture by angling it up through drywall frame kit and rest the housing on the frame.



Step 5: Installing Lamps

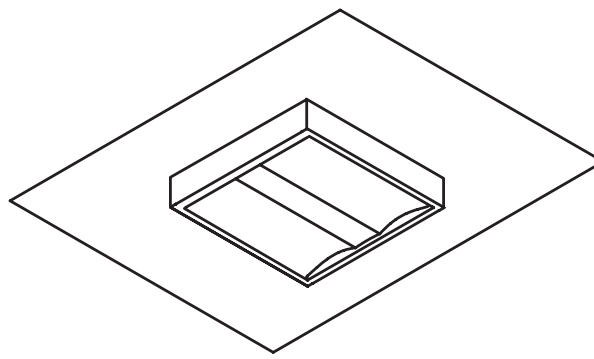
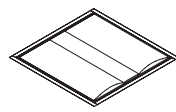
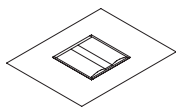
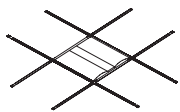
1. Locate notch on lens endcap, pull down from notched side of lens to open.
2. Lens remains captive to fixture for lamp installation and maintenance.

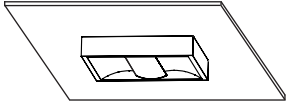


1. This product must be installed in accordance with applicable installation and electrical codes by a professional familiar with the construction and operation of the product.
2. Minimum 90°C supply conductors
3. All electrical connections must be performed by a certified electrician to applicable local and national electrical codes.



ADEO SURFACE MOUNT BOX INSTALLATION

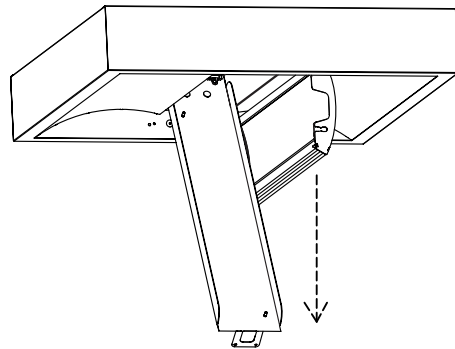
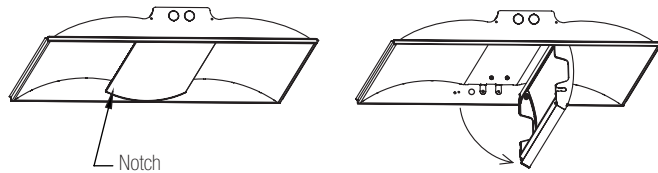
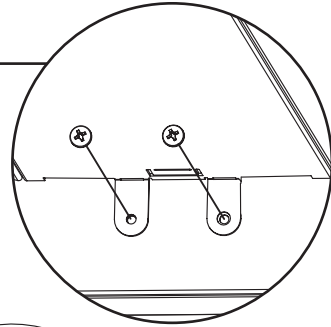




ADEO Surface Mount

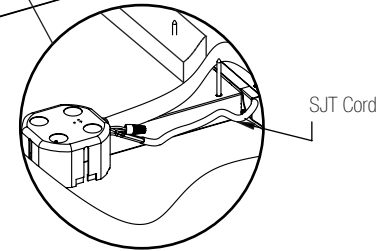
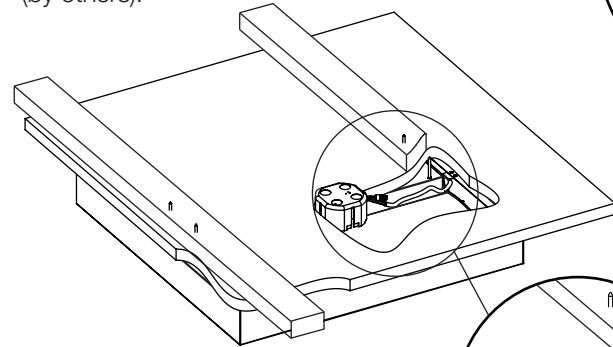
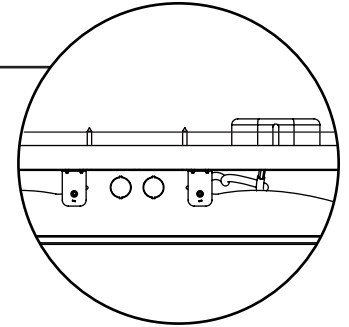
Step 1: Remove Driver Cover

1. Located lens notch and pull lens down from that side.
2. Remove (2) #8-32 screws.
3. Pull driver tray down to remove it from fixture.

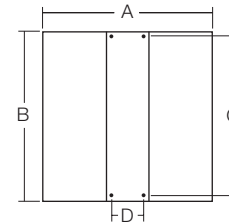


Step 2: Making the Connections

1. Using the power cord from the fixture make necessary wiring connections to building power.
2. After making connections recess the wires into the J-Box and cover with appropriate canopy (by others).



J-Box CANNOT be installed over center channel! Channel is 4.60" wide in 2x2 and 2x4 and 3.24" wide in 1x4



Fixture Size	Dim "A"	Dim "B"	Dim "C"	Dim "D"
1x4	13-1/2"	49-1/2"	40"	2-3/5"
2x2	25-1/2"	25-1/2"	21"	4"
2x4	25-1/2"	49-1/2"	45"	4"



Designed in Denver Colorado

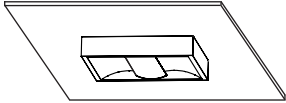
Phone: 303.322.5570

www.pinnacle-ltg.com

A brand of LeGrand®

All of Pinnacle's packaging is recyclable with the exception of the straps on the pallets. Please reach out to the factory if you need assistance in recycling any packaging components. © 2023 Pinnacle Architectural Lighting

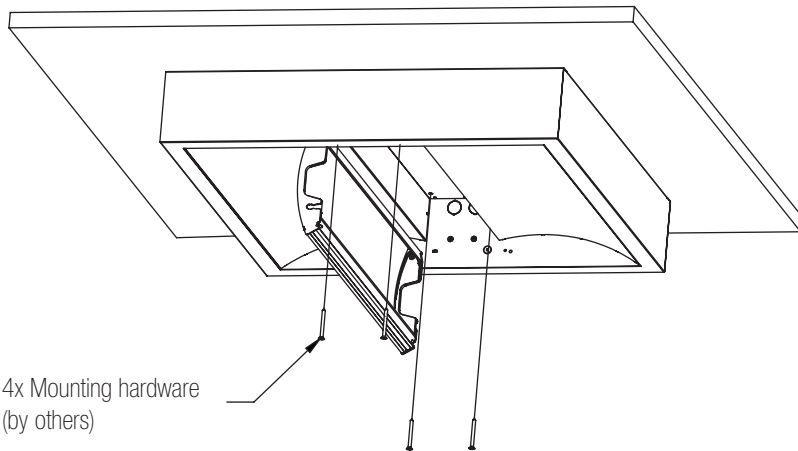
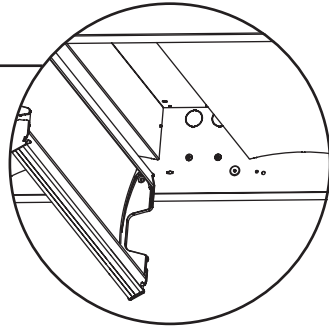
1. This product must be installed in accordance with applicable installation and electrical codes by a professional familiar with the construction and operation of the product.
2. Minimum 90°C supply conductors.
3. All electrical connections must be performed by a certified electrician to applicable local and national electrical codes.
4. Contact Pinnacle prior to making any fixtures alterations.
5. Contact Pinnacle with any installation questions or field issues.



ADEO Surface Mount

Step 3: Mounting / Finishing.

1. Inside driver channel locate holes in corners (one in each corner) .
2. Using these holes (4) mount fixture to structure with appropriate mounting hardware (by others).
3. Re-install driver cover, Install lamps, close fixture.



4x Mounting hardware
(by others)



Designed in Denver Colorado

Phone: 303.322.5570

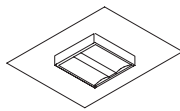
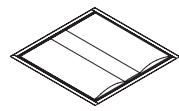
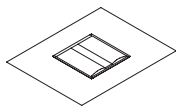
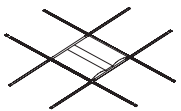
www.pinnacle-ltg.com

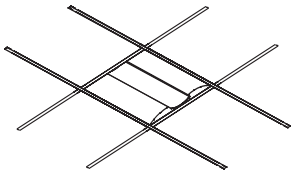
A brand of  **legrand**

1. This product must be installed in accordance with applicable installation and electrical codes by a professional familiar with the construction and operation of the product.
2. Minimum 90°C supply conductors.
3. All electrical connections must be performed by a certified electrician to applicable local and national electrical codes.
4. Contact Pinnacle prior to making any fixtures alterations.
5. Contact Pinnacle with any installation questions or field issues.



ADEO MAINTENANCE SHEET





ADEO Maintenance Sheet

Figure 1

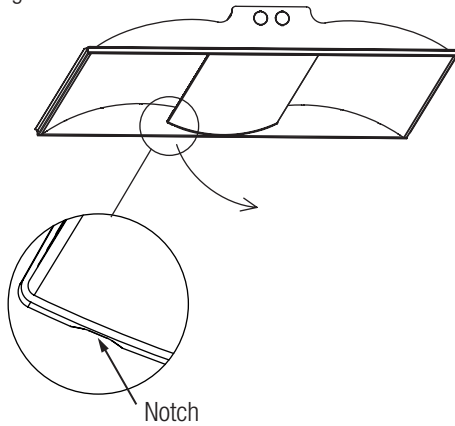
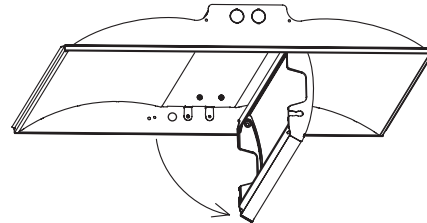


Figure 2



Access to board

1. Disconnect power.
2. Locate lens notch (located on one side only) and pull lens down from that side (Fig 1).
3. Lens swings open allowing access to boards (Fig 2).
4. Lens remains captive to fixture during maintenance (Fig 2).

Lens Cleaning

1. Open lens (as instructed)
2. Lens remains captive to fixture during maintenance/cleaning.
3. Wipe top and bottom of lenses with Isopropyl alcohol and a clean rag (DO NOT USE AMMONIA).
4. Close by rotating and pushing lens up until it snaps in place.

Figure 1

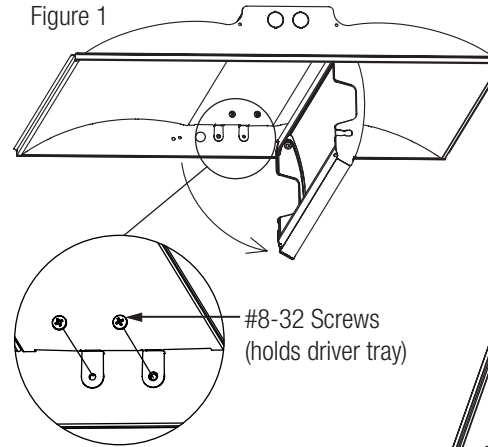
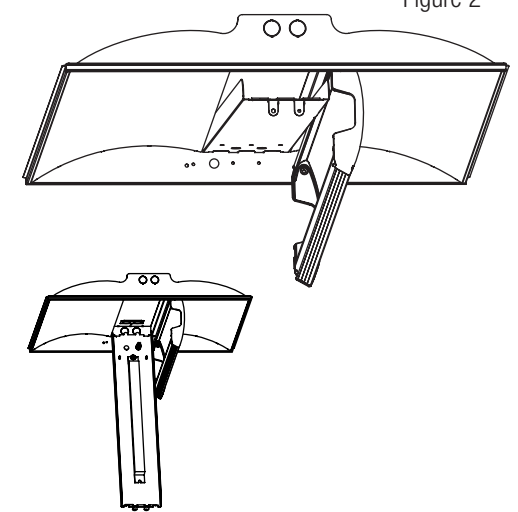


Figure 2



Access to driver

1. Disconnect power.
2. To access the driver, remove #8-32 screws (fig. 1).
3. Pull driver tray off as shown (fig. 2) and driver will be fully accessible.
4. Reverse step 2 prior to closing lens.
5. Close by rotating and pushing lens up until it snaps in place.



Designed in Denver Colorado

Phone: 303.322.5570

www.pinnacle-ltg.com

A brand of  **legrand**

All of Pinnacle's packaging is recyclable with the exception of the straps on the pallets. Please reach out to the factory if you need assistance in recycling any packaging components. © 2023 Pinnacle Architectural Lighting