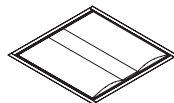
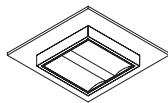
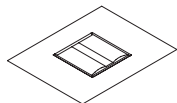
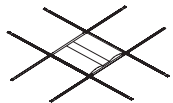




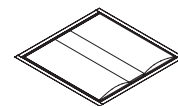
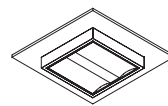
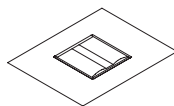
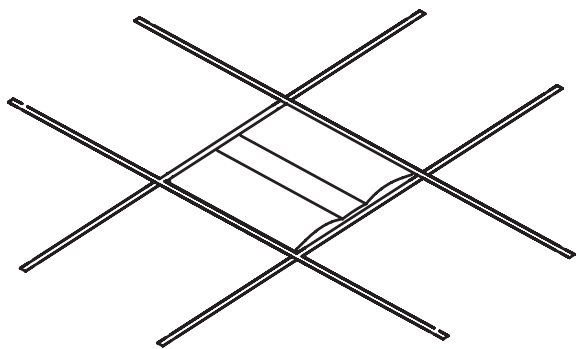
LUCEN INSTALLATION INSTRUCTIONS

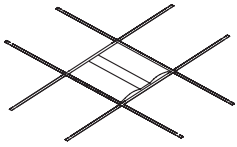
1x4 Grid Ceiling Installation	2-3
1x1 Grid Ceiling Installation	4-5
1x4 Inaccessible Installation	6-8
1x1 Inaccessible Installation	9-11
1x1 & 1x4 Surface Mount Installation	12-14
Maintenance Sheet	15-16





LUCEN GRID CEILING INSTALLATION





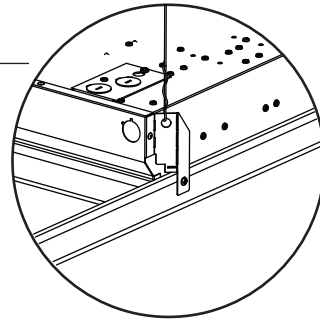
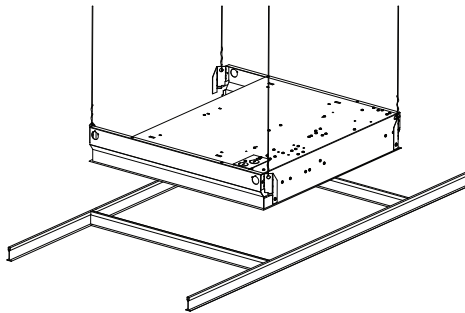
LUCEN Grid Ceiling Installation



*** DO NOT APPLY *
PRESSURE TO CENTER
LENS CHANNEL**

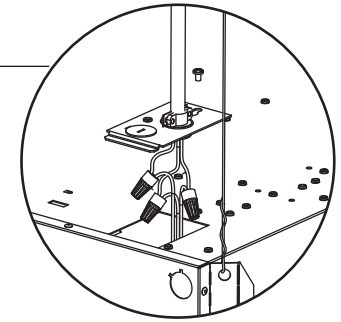
Step 1: T-Grid Installation

1. Position fixture up through grid opening.
2. Lower fixture so fixture flanges rest on T-Grid.
3. Tie off fixture to structure with retention wires (by others).



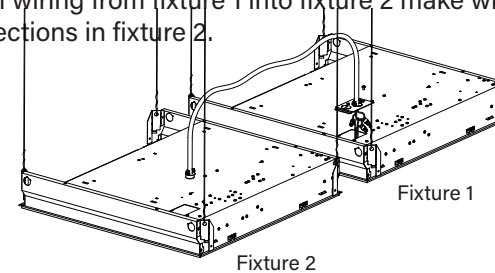
Step 2: Making the Connections

1. Remove electrical cover, remove knockout, attach building supplied conduit.
2. Make electrical connections, recess wires into fixture cavity and attach cover.



Through-wiring Option **shown with optional flex whip*

1. Fixtures are shipped with knock out removed and wires for joining fixtures extended from housing.
2. Pull wiring from fixture 1 into fixture 2 make wiring connections in fixture 2.



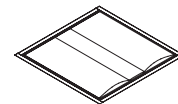
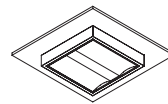
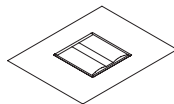
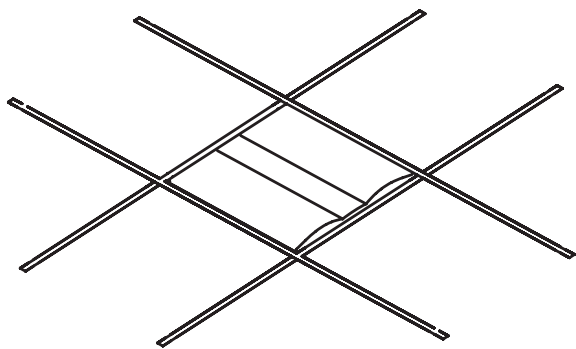
1. This product must be installed in accordance with applicable installation and electrical codes by a professional familiar with the construction and operation of the product.
2. Minimum 90°C supply conductors
3. All electrical connections must be performed by a certified electrician to applicable local and national electrical codes.

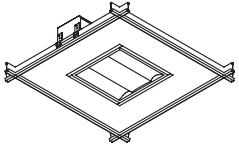
4. Fixtures must be mounted directly to structure.
5. The holding strength of AC cables cannot be guaranteed if the cables are damaged in any way.
6. All of Pinnacle's packaging is recyclable with the exception of the straps on the pallets. Please reach out to the factory if you need assistance in recycling any packaging components.





LUCEN 1X1 GRID CEILING INSTALLATION





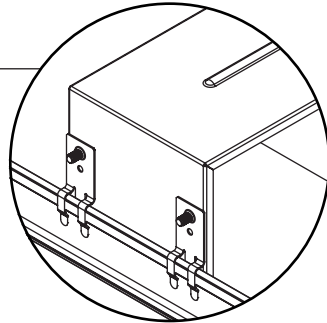
LUCEN_{1x1} Grid Ceiling Installation



*** DO NOT APPLY *
PRESSURE TO CENTER
LENS CHANNEL**

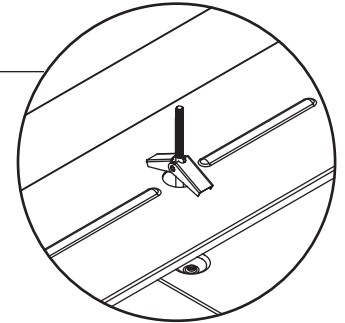
Step 1: Preparing the Tile

1. Install IDS clips on T-grid 9-3/8" from inner side of grid and 3" apart.
2. Cut out center of ceiling tile as shown.
3. Install mounting angle with (4) 1/4-20x1/2 bolts through IDS clips.

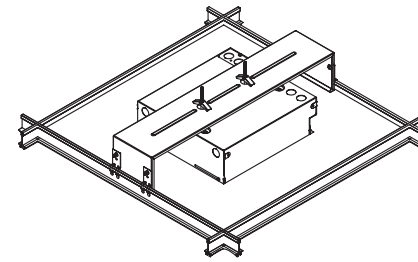
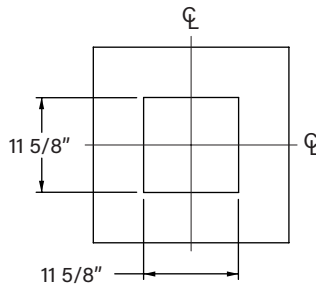


Step 2: Mounting Fixture

1. Lift and shift fixture through opening in tile and secure by pushing toggle bolt through mounting angle holes until the toggle snaps open.
2. Pull back on screw to keep the wings from spinning while you tighten the screw. Tighten until flanges are flush with tile.

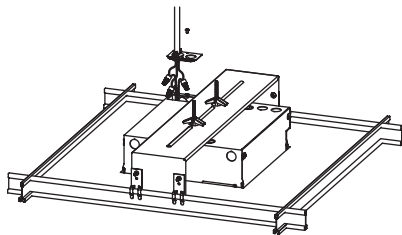
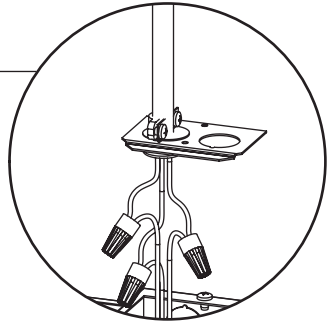


2x2 Tile Cut-out dimensions



Step 3: Making the Connections

1. Remove electrical cover, remove knockout, attach building supplied conduit.
2. Make electrical connections, recess wires into fixture cavity and attach cover.



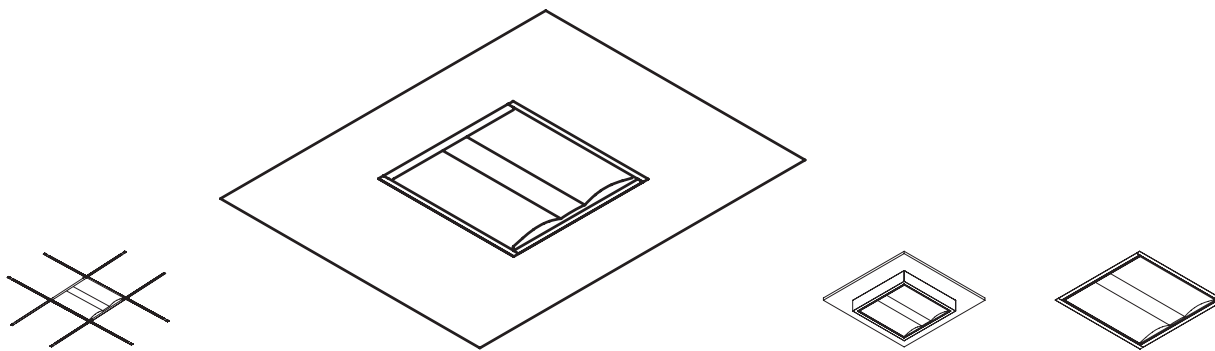
1. This product must be installed in accordance with applicable installation and electrical codes by a professional familiar with the construction and operation of the product.
2. Minimum 90°C supply conductors
3. All electrical connections must be performed by a certified electrician to applicable local and national electrical codes.

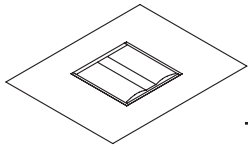
4. Fixtures must be mounted directly to structure.
5. The holding strength of AC cables cannot be guaranteed if the cables are damaged in any way.
6. All of Pinnacle's packaging is recyclable with the exception of the straps on the pallets. Please reach out to the factory if you need assistance in recycling any packaging components.





LUCEN INACCESSIBLE INSTALLATION





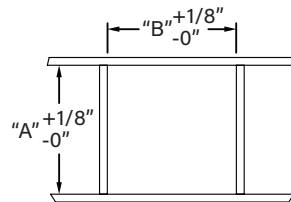
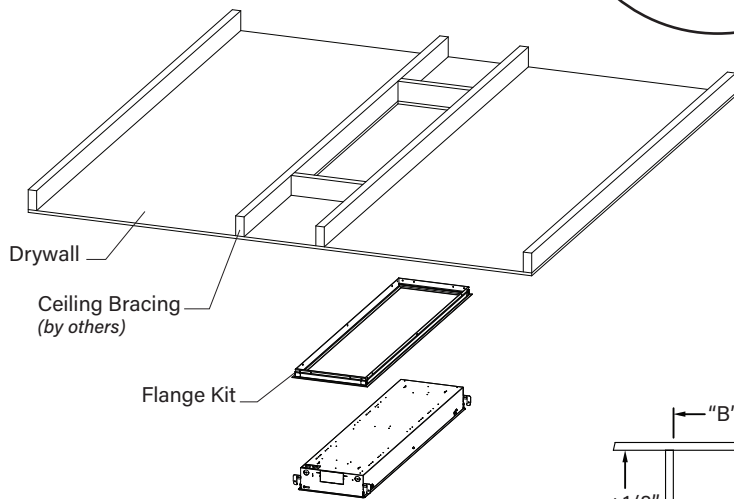
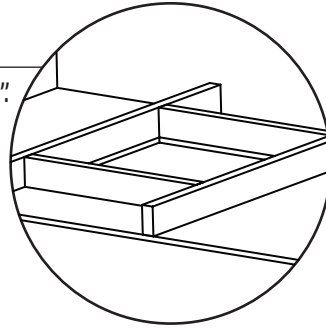
LUCEN Inaccessible Installation



*** DO NOT APPLY *
PRESSURE TO CENTER
LENS CHANNEL**

Step 1: Rough in

1. Build ceiling framing using Dim "A" and Dim "B".
2. Make appropriate cut out in drywall using Dim "A" and Dim "B" (see dimension chart below).
3. Install Flange Kit.

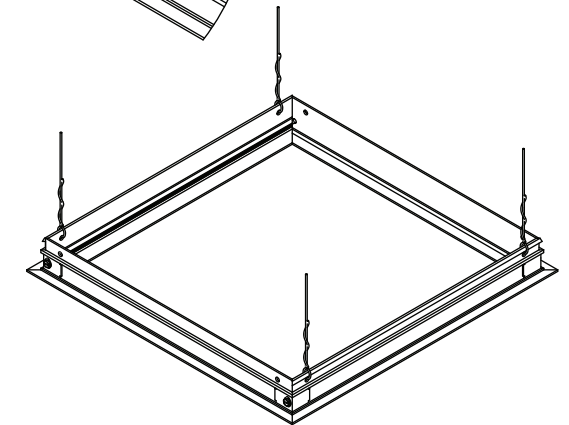
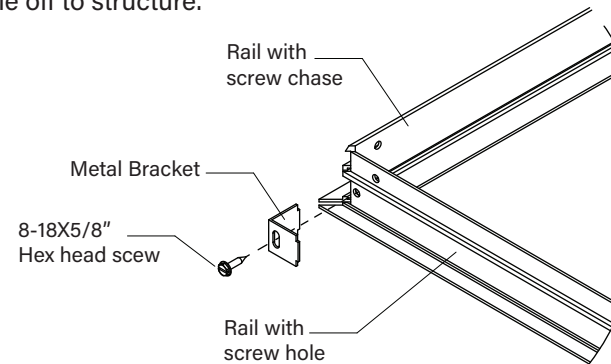
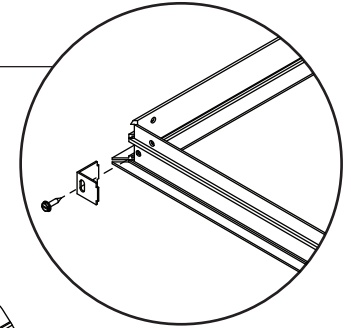


Dimension Chart

Fixture Size	Dim "A"	Dim "B"
1x4	12-3/4"	48-3/4"
2x2	24-3/4"	24-3/4"
2x4	24-3/4"	48-3/4"

Step 2: Setting up the Flange Kit

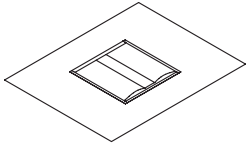
1. Slide bracket into the rail with the screw chase and rail with the screw hole making sure the screw slot lines up with the whole.
2. Use the four 8-18x5/8" Hex head screws provided to screw the brackets into the corners.
3. Place assembled flange kit into ceiling cut out and tie off to structure.



1. This product must be installed in accordance with applicable installation and electrical codes by a professional familiar with the construction and operation of the product.
2. Minimum 90°C supply conductors
3. All electrical connections must be performed by a certified electrician to applicable local and national electrical codes.

4. Fixtures must be mounted directly to structure.
5. The holding strength of AC cables cannot be guaranteed if the cables are damaged in any way.
6. All of Pinnacle's packaging is recyclable with the exception of the straps on the pallets. Please reach out to the factory if you need assistance in recycling any packaging components.





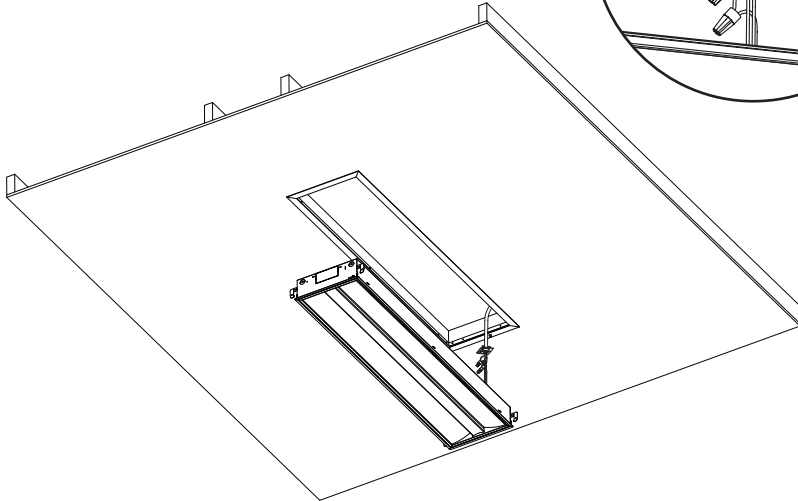
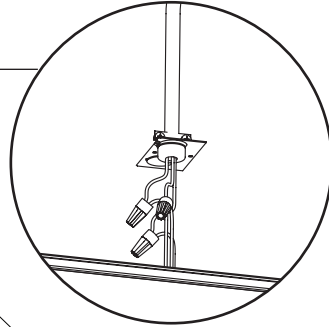
LUCEN Inaccessible Installation



*** DO NOT APPLY *
PRESSURE TO CENTER
LENS CHANNEL**

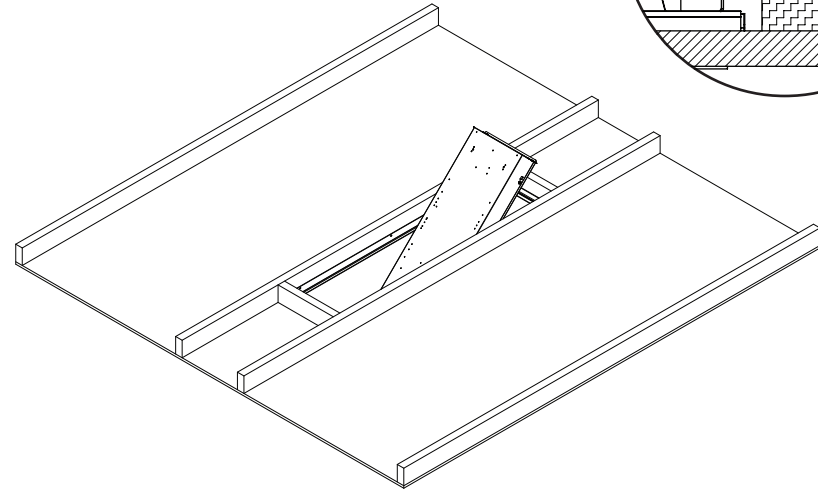
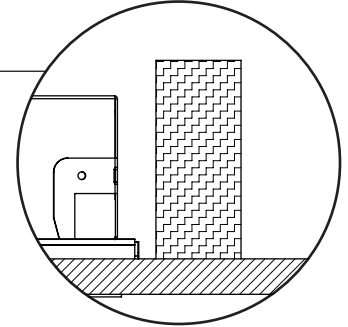
Step 3: Making the Connections

1. Remove electrical cover, remove knockout, attach building supplied conduit.
2. Make electrical connections, recess wires into fixture cavity and attach cover.



Step 4: Install Fixture into Ceiling

1. After wiring the fixture and checking all connections, carefully install fixture by angling it up through drywall frame kit and rest the housing on it.

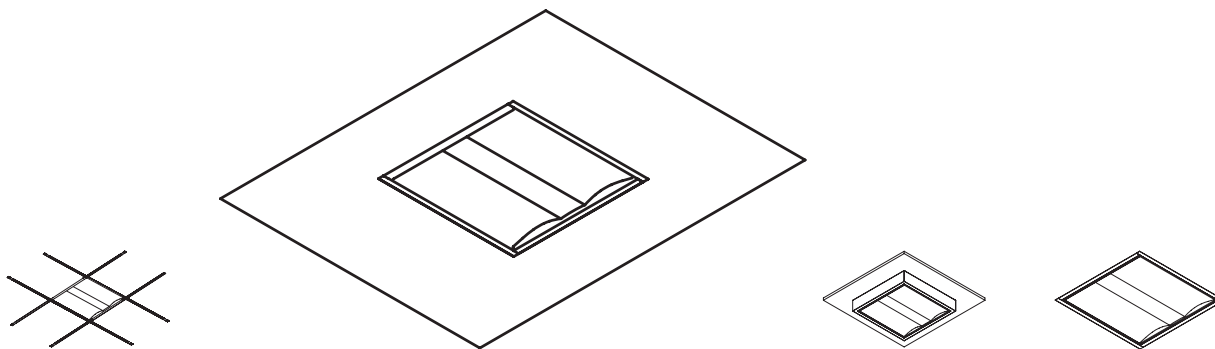


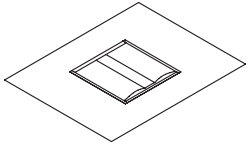
1. This product must be installed in accordance with applicable installation and electrical codes by a professional familiar with the construction and operation of the product.
2. Minimum 90°C supply conductors
3. All electrical connections must be performed by a certified electrician to applicable local and national electrical codes.

4. Fixtures must be mounted directly to structure.
5. The holding strength of AC cables cannot be guaranteed if the cables are damaged in any way.
6. All of Pinnacle's packaging is recyclable with the exception of the straps on the pallets. Please reach out to the factory if you need assistance in recycling any packaging components.



LUCEN 1X1 INACCESSIBLE INSTALLATION





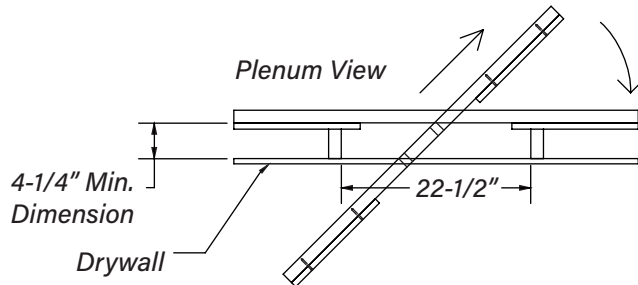
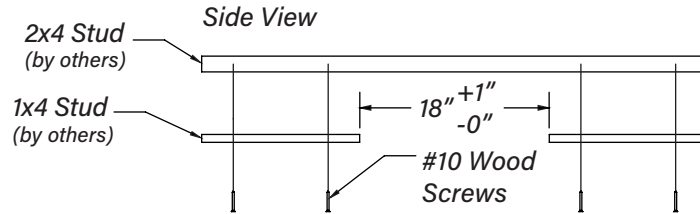
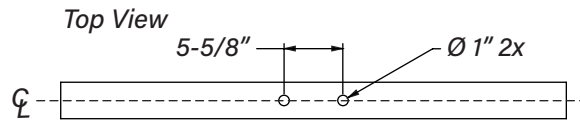
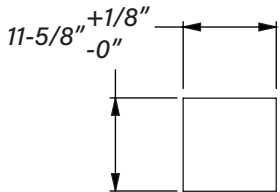
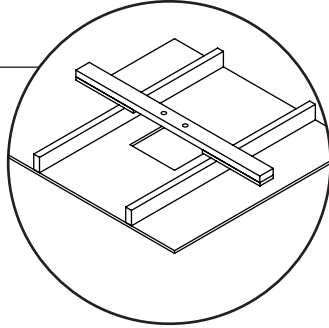
LUCEN 1x1 Inaccessible Installation



*** DO NOT APPLY *
PRESSURE TO CENTER
LENS CHANNEL**

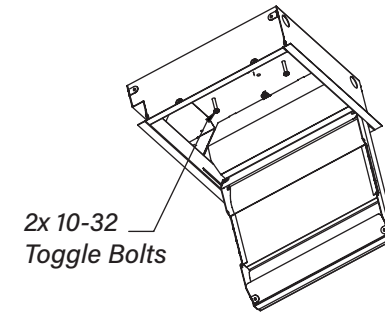
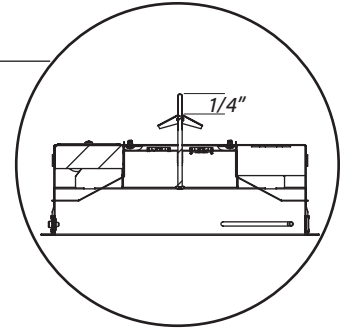
Step 1: Prepare the Brace and the Opening

1. Cut an 11-5/8" square opening in the drywall.
2. Drill 2x 1" diameter holes on 2x4 stud.
3. Cut 2 pieces of 1x4 stud attach them to the 2x4 stud already drilled using #10 wood screws.
4. Insert pre-drilled stud through drywall opening and let rest on ceiling bracing.



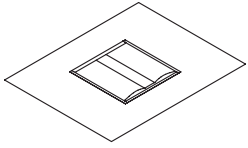
Step 3: Installing Toggle Bolts

1. Open fixture to access mounting points for toggle bolts
2. After opening the fixture install bolts through the fixture.
3. Thread the toggle 1/4" max. allowing the threads of the bolt to keep the toggle from turning sideways.



1. This product must be installed in accordance with applicable installation and electrical codes by a professional familiar with the construction and operation of the product.
2. Minimum 90°C supply conductors
3. All electrical connections must be performed by a certified electrician to applicable local and national electrical codes.

4. Fixtures must be mounted directly to structure.
5. The holding strength of AC cables cannot be guaranteed if the cables are damaged in any way.
6. All of Pinnacle's packaging is recyclable with the exception of the straps on the pallets. Please reach out to the factory if you need assistance in recycling any packaging components.



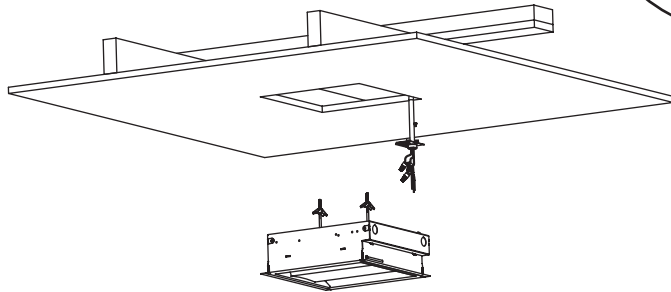
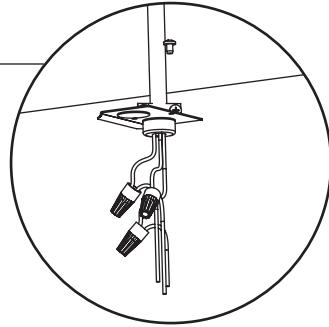
LUCEN 1x1 Inaccessible Installation



*** DO NOT APPLY *
PRESSURE TO CENTER
LENS CHANNEL**

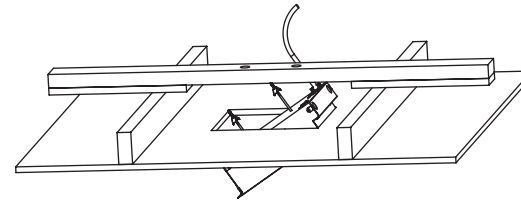
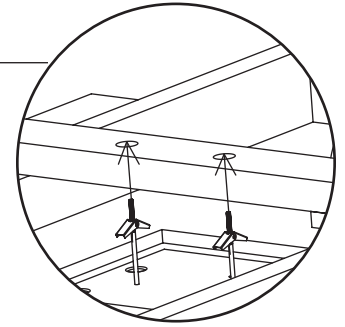
Step 4: Making the Connections

1. Remove electrical cover, remove knockout, attach building supplied conduit.
2. Make electrical connections, recess wires into fixture cavity and attach cover.



Step 5: Installing into Ceiling

1. Install fixture by angling it up through drywall opening.
2. Secure by pushing toggle bolt through pre-drilled wood until you hear or feel the toggle snap open.
3. Tighten the screw until the housing flanges are flat with the drywall.

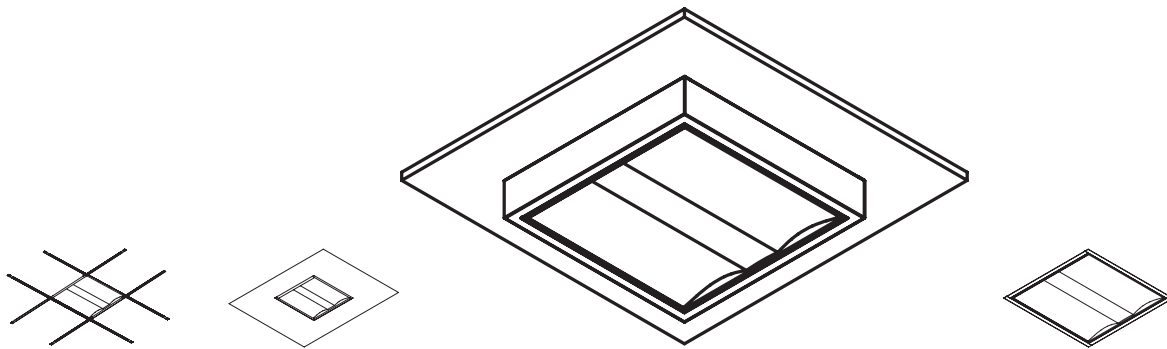


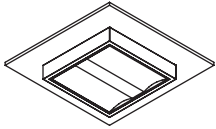
1. This product must be installed in accordance with applicable installation and electrical codes by a professional familiar with the construction and operation of the product.
2. Minimum 90°C supply conductors
3. All electrical connections must be performed by a certified electrician to applicable local and national electrical codes.

4. Fixtures must be mounted directly to structure.
5. The holding strength of AC cables cannot be guaranteed if the cables are damaged in any way.
6. All of Pinnacle's packaging is recyclable with the exception of the straps on the pallets. Please reach out to the factory if you need assistance in recycling any packaging components.



LUCEN 1X1, 1X4 SURFACE MOUNT INSTALLATION





LUCEN_{1x1, 1x4} Surface Mount



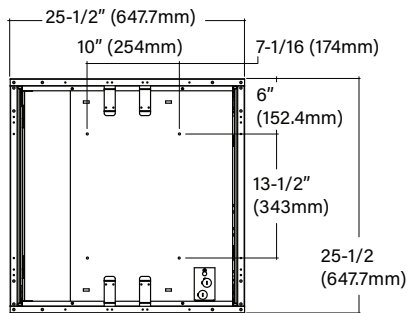
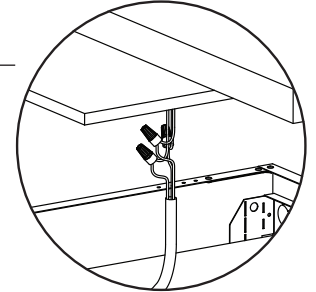
*** DO NOT APPLY *
PRESSURE TO CENTER
LENS CHANNEL**

Step 1: Mounting Prep

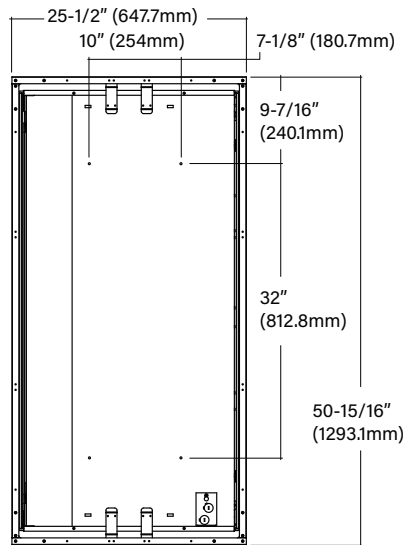
1. Install supports for mounting fixtures to based on the mounting hole positions called out in the dimensioned drawings below.
2. Open fixture door and remove driver cover to prepare for mounting fixtures.
(see maintenance section for details)

Step 2: Making the Connections

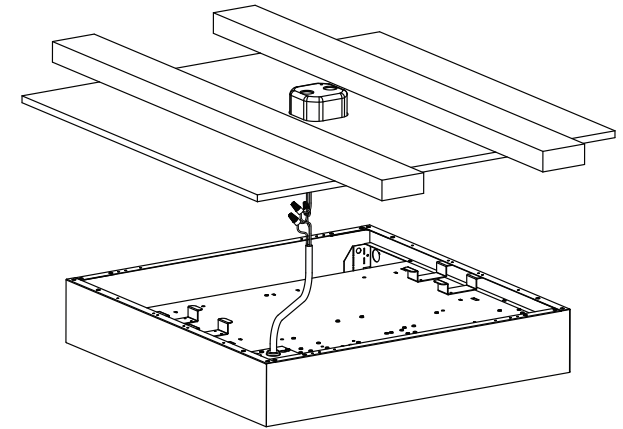
1. Using the power cord from the fixture make necessary wiring connections to building power.
2. After making connections recess the wires into the J-Box.



Lucen 2x2

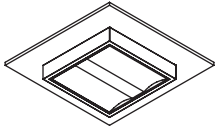


Lucen 2x4



1. This product must be installed in accordance with applicable installation and electrical codes by a professional familiar with the construction and operation of the product.
2. Minimum 90°C supply conductors
3. All electrical connections must be performed by a certified electrician to applicable local and national electrical codes.

4. Fixtures must be mounted directly to structure.
5. The holding strength of AC cables cannot be guaranteed if the cables are damaged in any way.
6. All of Pinnacle's packaging is recyclable with the exception of the straps on the pallets. Please reach out to the factory if you need assistance in recycling any packaging components.



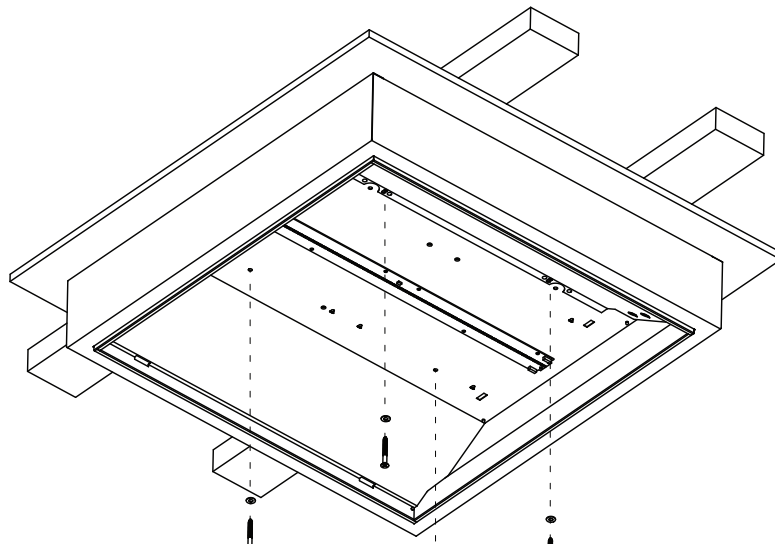
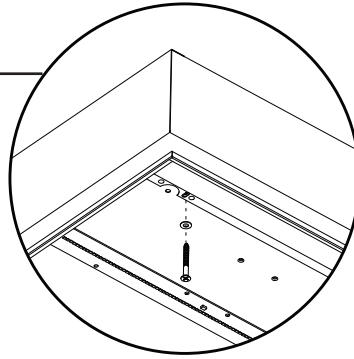
LUCEN 1x1, 1x4 Surface Mount



*** DO NOT APPLY *
PRESSURE TO CENTER
LENS CHANNEL**

Step 3: Mounting

1. Inside fixture locate mounting holes in corners. *(one in each corner)*
2. Using these holes (4) mount fixture to ceiling with appropriate mounting hardware. *(by others)*

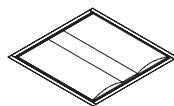
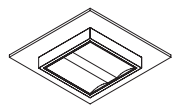
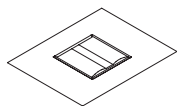
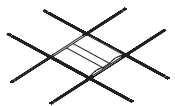


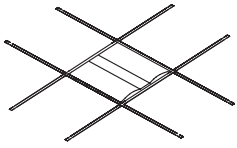
1. This product must be installed in accordance with applicable installation and electrical codes by a professional familiar with the construction and operation of the product.
2. Minimum 90°C supply conductors
3. All electrical connections must be performed by a certified electrician to applicable local and national electrical codes.

4. Fixtures must be mounted directly to structure.
5. The holding strength of AC cables cannot be guaranteed if the cables are damaged in any way.
6. All of Pinnacle's packaging is recyclable with the exception of the straps on the pallets. Please reach out to the factory if you need assistance in recycling any packaging components.



LUCEN MAINTENANCE DETAILS





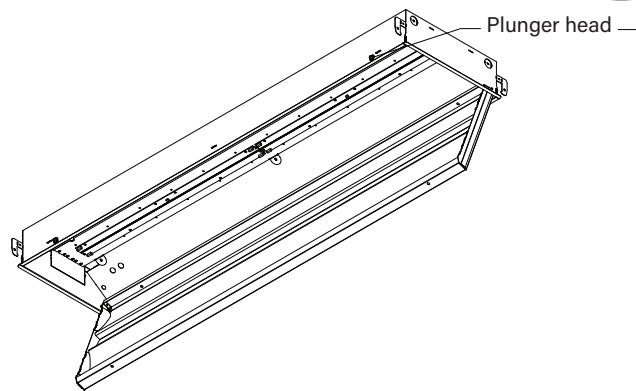
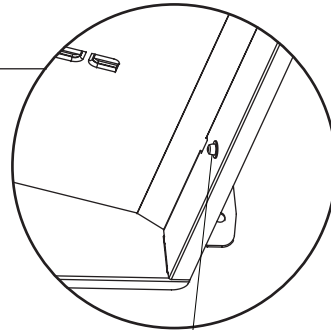
LUCEN Maintenance Details



*** DO NOT APPLY *
PRESSURE TO CENTER
LENS CHANNEL**

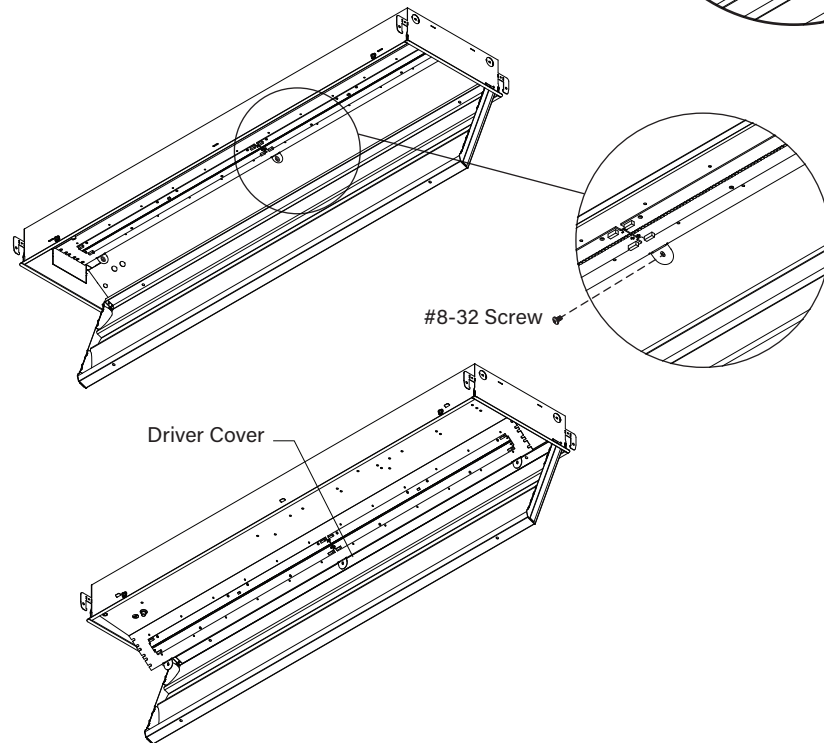
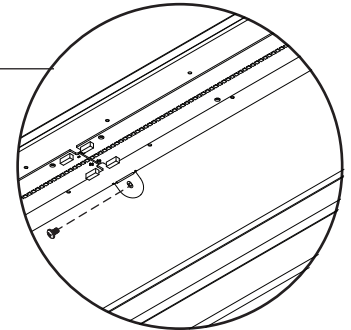
Step 1: Accessing Boards

1. Gently push lens up to locate plunger heads (*located on one side only*), depress both plunger heads with fingers and simultaneously pull door frame down.
2. One-piece door frame swings open allowing access to lamps.



Step 2: Accessing the Driver

1. Remove #8-32 screw (*one side only*) that holds LED panel.
2. Remove LED panel.
3. Reverse steps prior to closing.



Step 1B: Cleaning Lens

1. Open door frame (*as instructed above*).
2. Door frame remains captive to fixture during maintenance/cleaning.
3. Wipe top and bottom of lenses with Isopropyl alcohol and a clean rag. (*DO NOT USE AMMONIA*)
4. Close door frame.



1. This product must be installed in accordance with applicable installation and electrical codes by a professional familiar with the construction and operation of the product.
2. Minimum 90°C supply conductors
3. All electrical connections must be performed by a certified electrician to applicable local and national electrical codes.

4. Fixtures must be mounted directly to structure.
5. The holding strength of AC cables cannot be guaranteed if the cables are damaged in any way.
6. All of Pinnacle's packaging is recyclable with the exception of the straps on the pallets. Please reach out to the factory if you need assistance in recycling any packaging components.