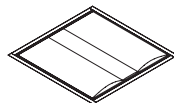
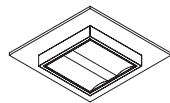
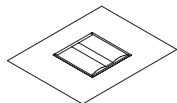
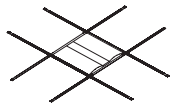




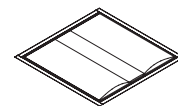
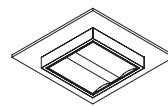
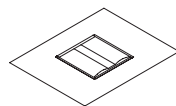
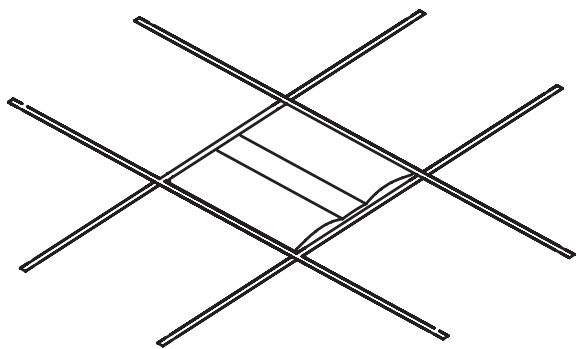
LUCEN INSTALLATION INSTRUCTIONS

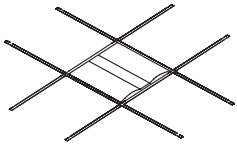
Grid Ceiling Installation	2-3
Lucen 1x1 Grid Ceiling Installation	4-5
Inaccessible Installation	6-8
Lucen 1x1 Inaccessible Installation	9-11
2x2, 2x4 & 1x4 Surface Mount Installation	12-14
Maintenance Sheet	15-16
Controls Details	17-18





LUCEN GRID CEILING INSTALLATION





LUCEN Grid Ceiling Installation

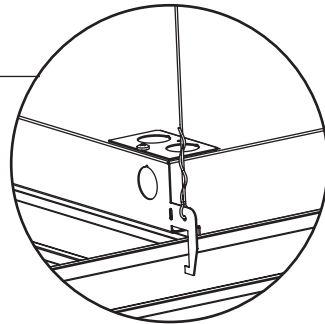
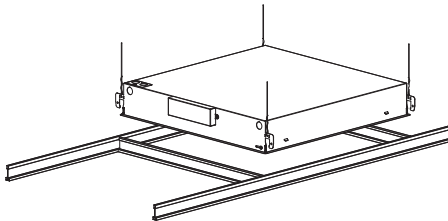


*** DO NOT APPLY PRESSURE *
TO CENTER LENS CHANNEL**

[Return to
Main Menu](#)

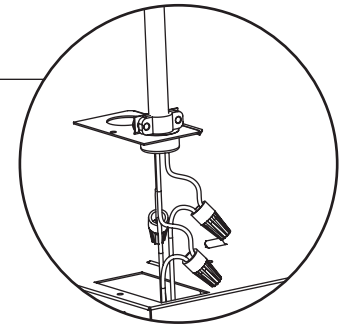
Step 1: T-Grid Installation

1. Position fixture up through grid opening.
2. Lower fixture so fixture flanges rest on T-Grid.
3. Tie off fixture to structure with retention wires (by others).



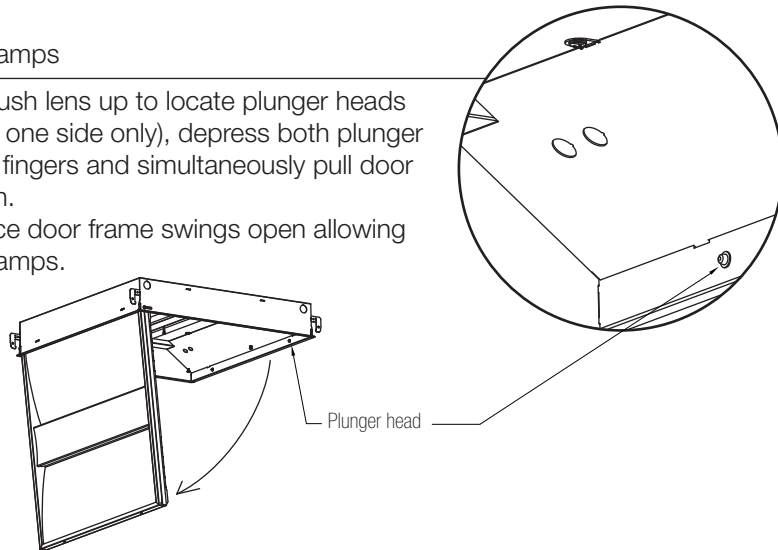
Step 2: Making the Connections

1. Remove electrical cover, remove knockout, attach building supplied conduit.
2. Make electrical connections, recess wires into fixture cavity and attach cover.



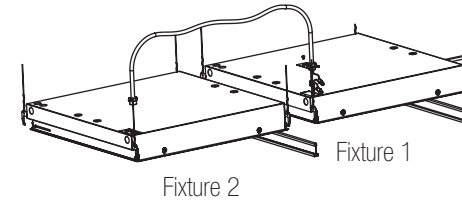
Step 3: Installing Lamps

1. Gently push lens up to locate plunger heads (located on one side only), depress both plunger heads with fingers and simultaneously pull door frame down.
2. One-piece door frame swings open allowing access to lamps.



Through-wiring Option *shown with optional flex whip.

1. Fixtures are shipped with knock out removed and wires for joining fixtures extended from housing.
2. Pull wiring from fixture 1 into fixture 2 make wiring connections in fixture 2.



1. This product must be installed in accordance with applicable installation and electrical codes by a professional familiar with the construction and operation of the product.
2. Minimum 90°C supply conductors
3. All electrical connections must be performed by a certified electrician to applicable local and national electrical codes.
4. Contact Pinnacle prior to making any fixture alterations.
5. Contact Pinnacle with any installation questions or field issues.



Designed in Denver Colorado

Phone: 303.322.5570

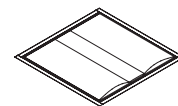
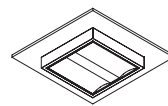
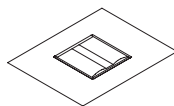
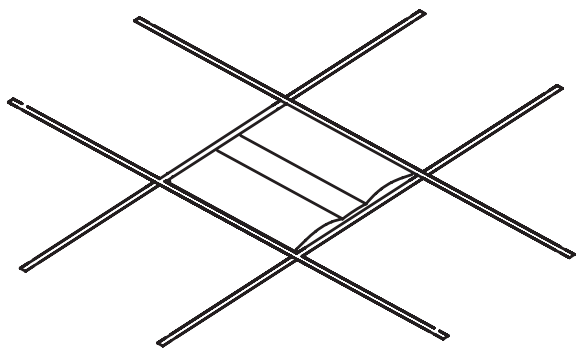
www.pinnacle-ltg.com

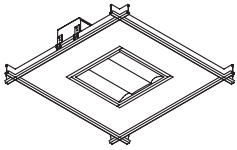
A brand of **legrand**

© 2018 Pinnacle Architectural Lighting



LUCEN 1X1 LED GRID CEILING INSTALLATION





LUCEN

1x1 LED Grid Ceiling Installation



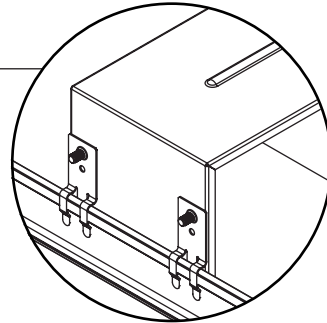
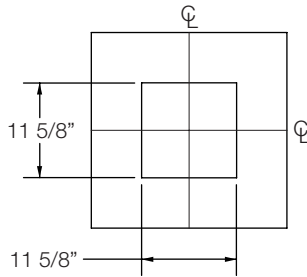
*** DO NOT APPLY PRESSURE *
TO CENTER LENS CHANNEL**

[Return to
Main Menu](#)

Step 1: Preparing the Tile

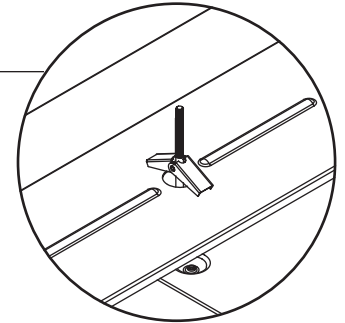
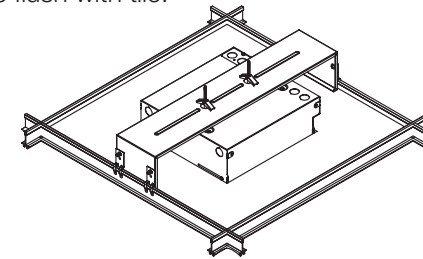
1. Install IDS clips on T-grid 9-3/8" from inner side of grid and 3" apart.
2. Cut out center of ceiling tile as shown.
3. Install mounting angle with (4) 1/4-20x1/2 bolts through IDS clips.

2x2 Tile Cut-out
dimensions



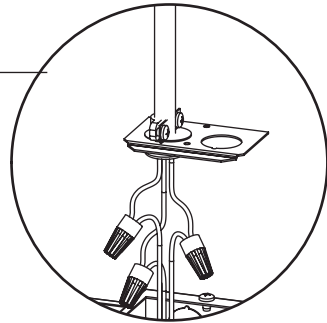
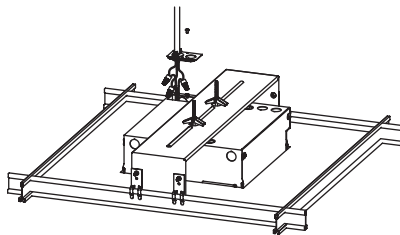
Step 2: Mounting Fixture

1. Lift and shift fixture through opening in tile and secure by pushing toggle bolt through mounting angle holes until the toggle snaps open.
2. Pull back on screw to keep the wings from spinning while you tighten the screw. Tighten until flanges are flush with tile.



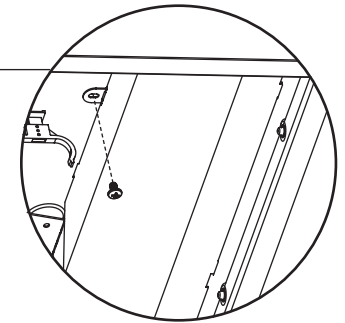
Step 3: Making the Connections

1. Remove electrical cover, remove knockout, attach building supplied conduit.
2. Make electrical connections, recess wires into fixture cavity and attach cover.



Step 4: Installing Lamps

1. Gently push lens up to locate plunger heads (located on one side only), depress both plunger heads with fingers and simultaneously pull door frame down.
2. One-piece door frame swings open allowing access to lamps.



1. This product must be installed in accordance with applicable installation and electrical codes by a professional familiar with the construction and operation of the product.
2. Minimum 90°C supply conductors
3. All electrical connections must be performed by a certified electrician to applicable local and national electrical codes.
4. Contact Pinnacle prior to making any fixture alterations.
5. Contact Pinnacle with any installation questions or field issues.



Designed in Denver Colorado

Phone: 303.322.5570

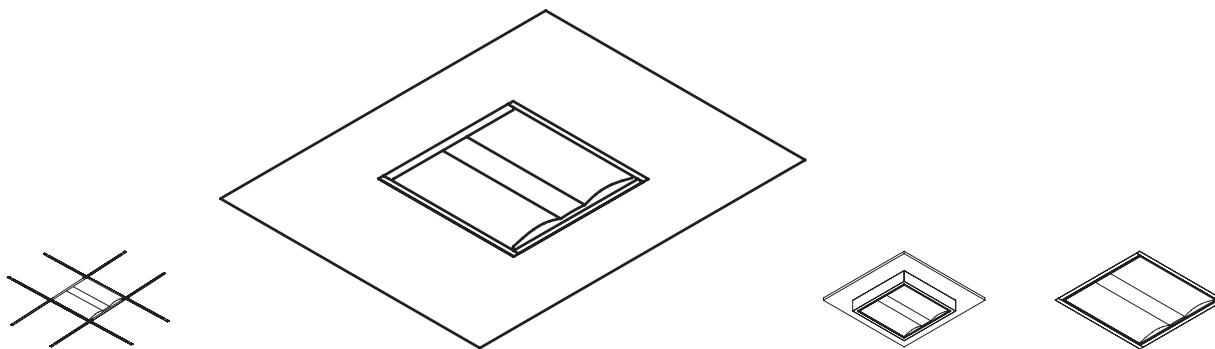
www.pinnacle-ltg.com

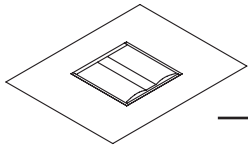
A brand of **legrand**

© 2018 Pinnacle Architectural Lighting



LUCEN INACCESSIBLE INSTALLATION





LUCEN Inaccessible Installation



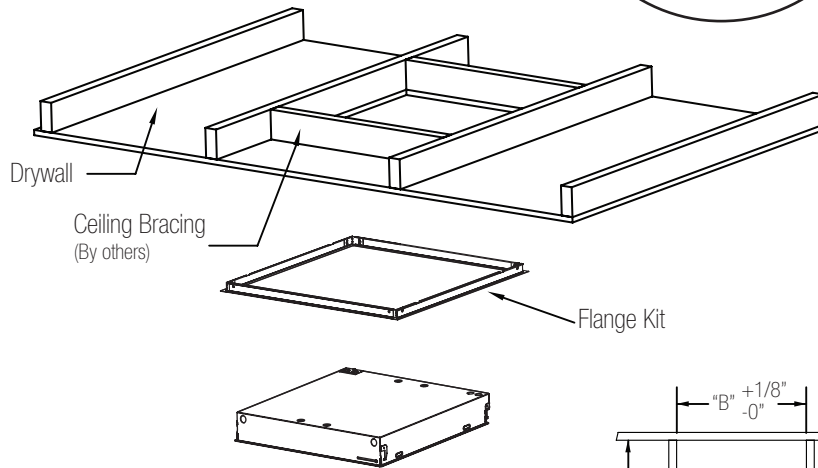
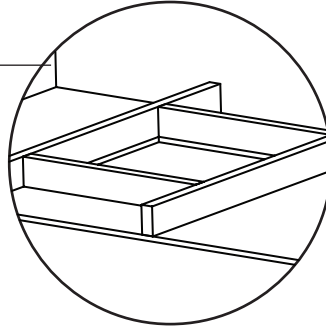
*** DO NOT APPLY PRESSURE *
TO CENTER LENS CHANNEL**

[Return to
Main Menu](#)

Step 1:

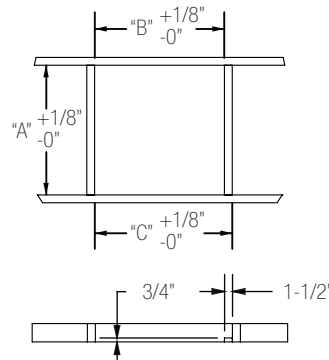
Rough in

1. Build ceiling framing using Dim "A" and Dim "B".
2. Make appropriate cut out in drywall using Dim "A" and Dim "B" (see dimension chart below).
3. Install Flange Kit.



Dimension Chart

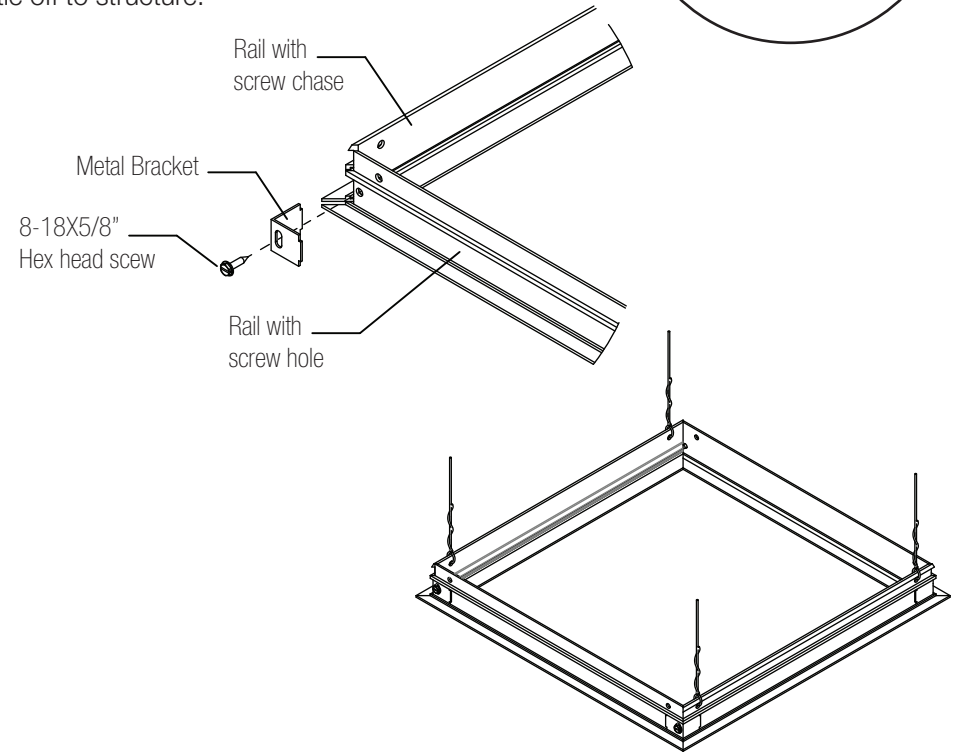
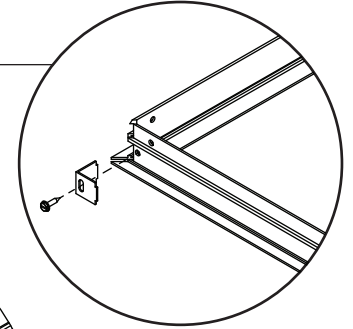
Fixture Size	Dim "A"	Dim "B"
1x4	12-3/4"	48-3/4"
2x2	24-3/4"	24-3/4"
2x4	24-3/4"	48-3/4"



Step 2:

Setting up the Flange Kit

1. Slide bracket into the rail with the screw chase and rail with the screw hole making sure the screw slot lines up with the whole.
2. Use the four 8-18x5/8" Hex head screws provided to screw the brackets into the corners.
3. Place assembled flange kit into ceiling cut out and tie off to structure.



1. This product must be installed in accordance with applicable installation and electrical codes by a professional familiar with the construction and operation of the product.
2. Minimum 90°C supply conductors
3. All electrical connections must be performed by a certified electrician to applicable local and national electrical codes.
4. Contact Pinnacle prior to making any fixture alterations.
5. Contact Pinnacle with any installation questions or field issues.



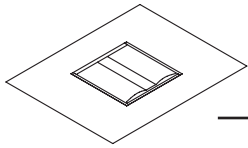
Designed in Denver Colorado

Phone: 303.322.5570

www.pinnacle-ltg.com

A brand of **legrand**

© 2018 Pinnacle Architectural Lighting



LUCEN Inaccessible Installation

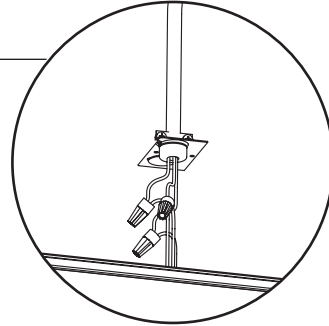
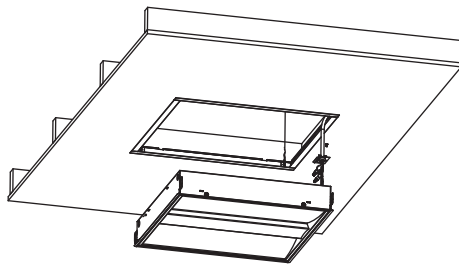


*** DO NOT APPLY PRESSURE *
TO CENTER LENS CHANNEL**

[Return to
Main Menu](#)

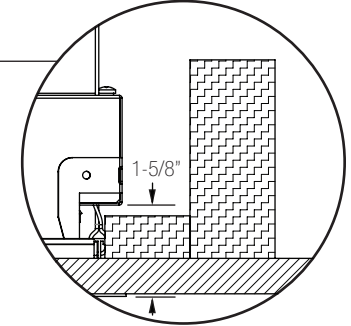
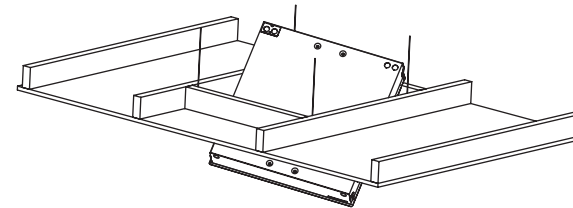
Step 3: Making the Connections

1. Remove electrical cover, remove knockout, attach building supplied conduit.
2. Make electrical connections, recess wires into fixture cavity and attach cover.



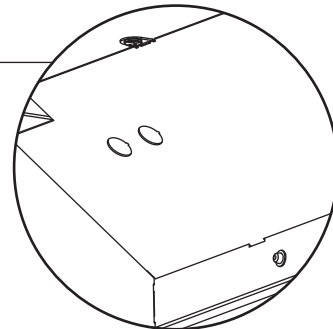
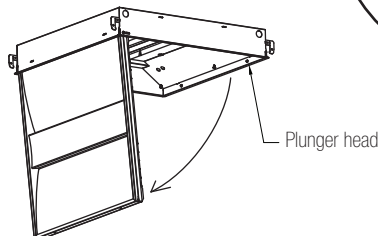
Step 4: Install Fixture into Ceiling

1. After wiring the fixture and checking all connections, carefully install fixture by angling it up through drywall frame kit and rest the housing on it.



Step 5: Installing Lamps

1. Gently push lens up to locate plunger heads (located on one side only), depress both plunger heads with fingers and simultaneously pull door frame down.
2. One-piece door frame swings open allowing access to lamps.



1. This product must be installed in accordance with applicable installation and electrical codes by a professional familiar with the construction and operation of the product.
2. Minimum 90°C supply conductors
3. All electrical connections must be performed by a certified electrician to applicable local and national electrical codes.
4. Contact Pinnacle prior to making any fixture alterations.
5. Contact Pinnacle with any installation questions or field issues.



Designed in Denver Colorado

Phone: 303.322.5570

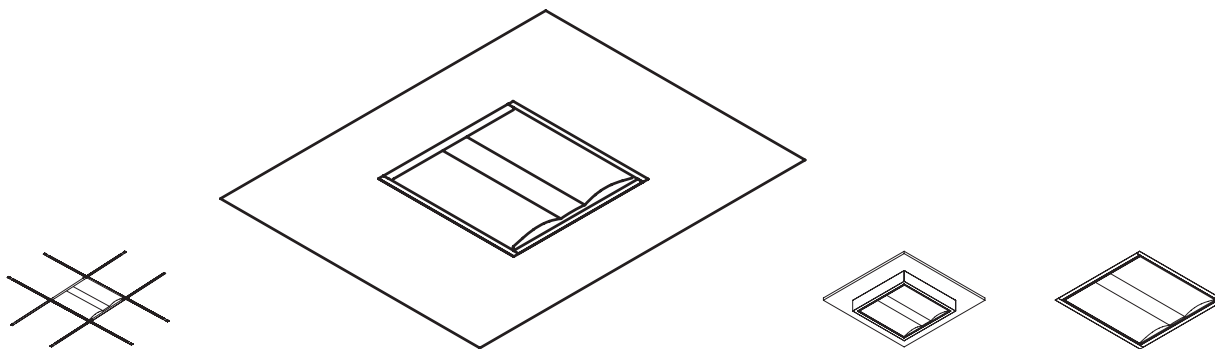
www.pinnacle-ltg.com

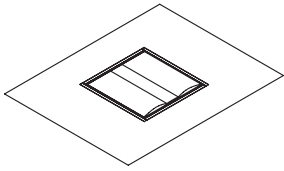
A brand of **legrand**

© 2018 Pinnacle Architectural Lighting



LUCEN 1X1 INACCESSIBLE INSTALLATION





LUCEN 1x1 Inaccessible Installation

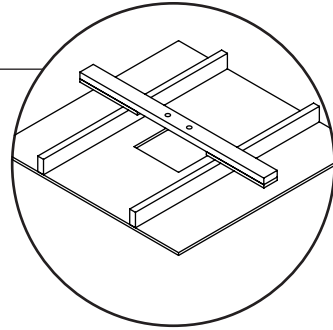


★ DO NOT APPLY PRESSURE ★
TO CENTER LENS CHANNEL

Return to
Main Menu

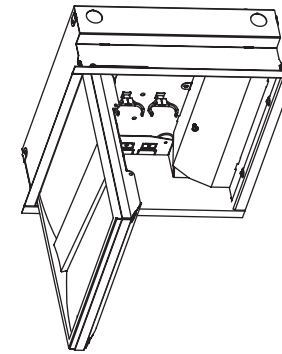
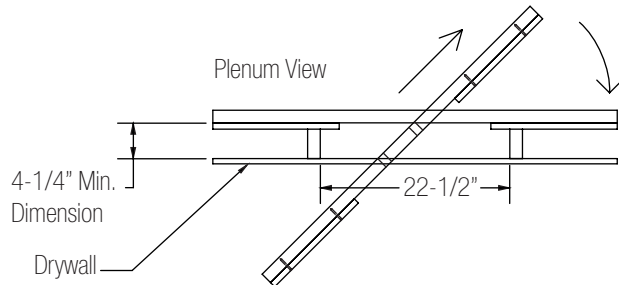
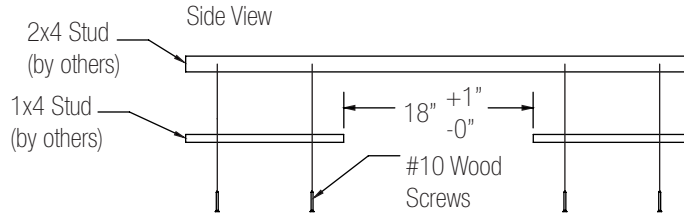
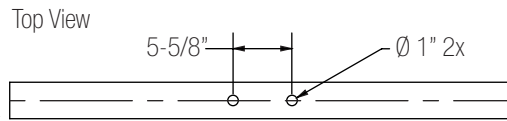
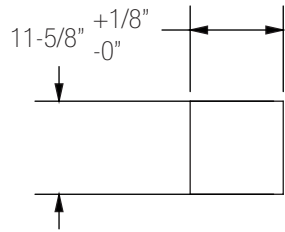
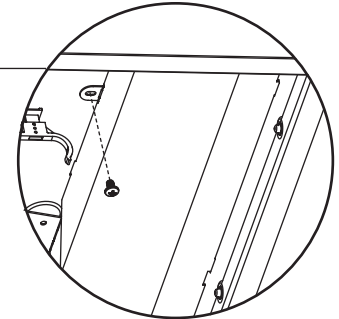
Step 1: Prepare the Brace and the Opening

1. Cut an 11-5/8" square opening in the drywall.
2. Drill 2x 1" diameter holes on 2x4 stud.
3. Cut 2 pieces of 1x4 stud attach them to the 2x4 stud already drilled using #10 wood screws.
4. Insert pre-drilled stud through drywall opening and let rest on ceiling bracing.

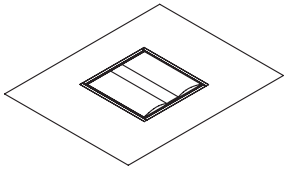


Step 2: Opening Lens

1. Gently push lens up to locate plunger heads (located on one side only), depress both plunger heads with fingers and simultaneously pull door frame down.
2. One-piece door frame swings open allowing access to lamps.



1. This product must be installed in accordance with applicable installation and electrical codes by a professional familiar with the construction and operation of the product.
2. Minimum 90°C supply conductors
3. All electrical connections must be performed by a certified electrician to applicable local and national electrical codes.
4. Contact Pinnacle prior to making any fixture alterations.
5. Contact Pinnacle with any installation questions or field issues.



LUCEN 1x1 Inaccessible Installation

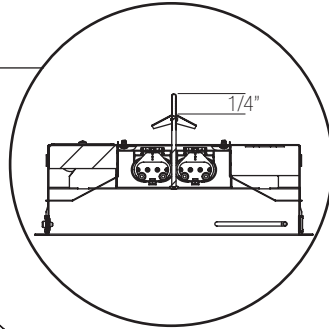
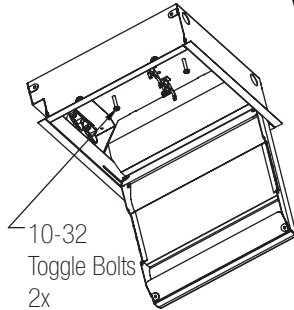


*** DO NOT APPLY PRESSURE *
TO CENTER LENS CHANNEL**

[Return to
Main Menu](#)

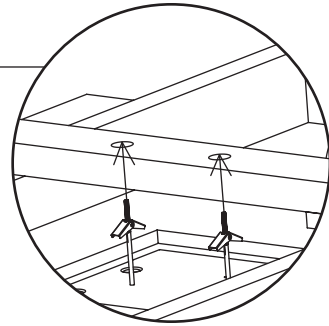
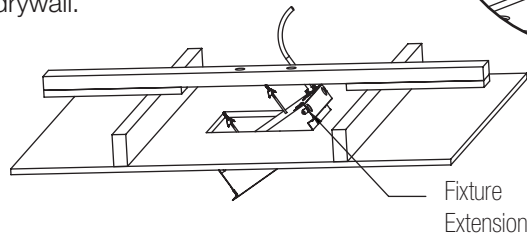
Step 3: Installing Toggle Bolts

1. After opening the fixture install bolts through the fixture.
2. Thread the toggle 1/4" max. allowing the threads of the bolt to keep the toggle from turning sideways.



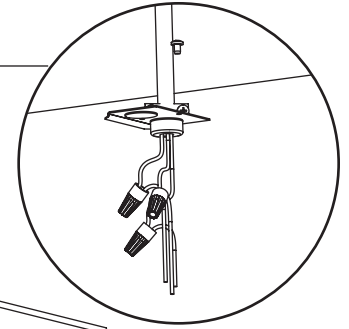
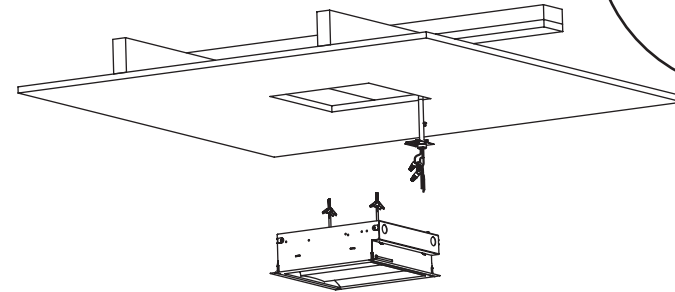
Step 5: Installing into Ceiling

1. Install fixture by angling it up through drywall opening.
2. Secure by pushing toggle bolt through pre-drilled wood until you hear or feel the toggle snap open.
3. Tighten the screw until the housing flanges are flat with the drywall.



Step 4: Making the Connections

1. Remove electrical cover, remove knockout, attach building supplied conduit.
2. Make electrical connections, recess wires into fixture cavity and attach cover.

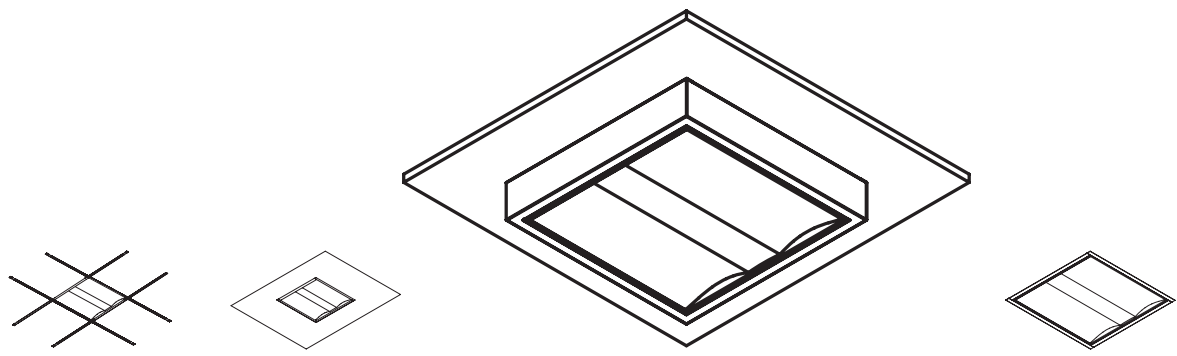


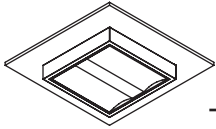
1. This product must be installed in accordance with applicable installation and electrical codes by a professional familiar with the construction and operation of the product.
2. Minimum 90°C supply conductors
3. All electrical connections must be performed by a certified electrician to applicable local and national electrical codes.
4. Contact Pinnacle prior to making any fixture alterations.
5. Contact Pinnacle with any installation questions or field issues.



LUCEN

2X2, 2X4 & 1X4
SURFACE MOUNT INSTALLATION





LUCEN

2x2, 2x4, 1x4 Surface Mount



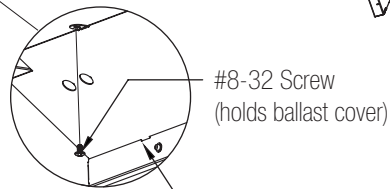
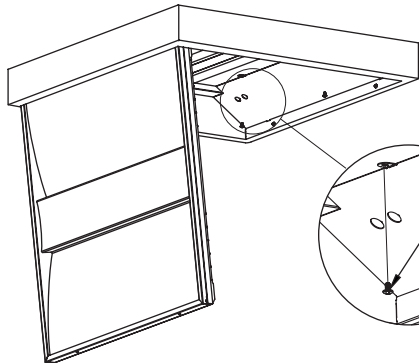
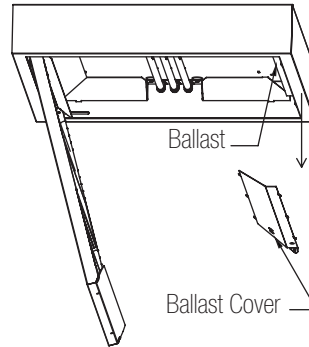
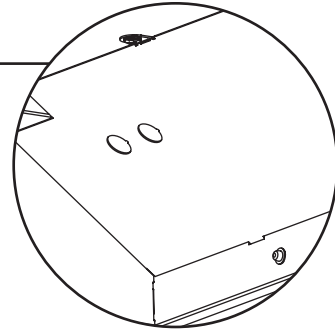
*** DO NOT APPLY PRESSURE *
TO CENTER LENS CHANNEL**

Return to
Main Menu

Step 1: Remove Ballast Cover

1. Gently push lens up to locate plunger heads (located on one side only), depress both plunger heads with fingers and simultaneously pull door frame down.
2. One-piece door frame swings open allowing access to lamps, and remains captive to fixture during maintenance.
3. To access ballast, remove #8-32 screw (one side only) that holds ballast cover and pull out cover by inserting a flat screw driver through slot.

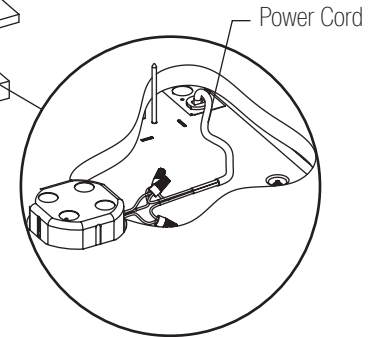
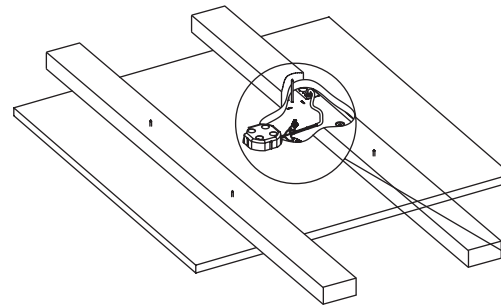
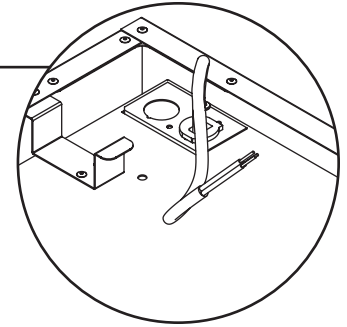
(Note: See page 4 for instructions on accessing driver.)



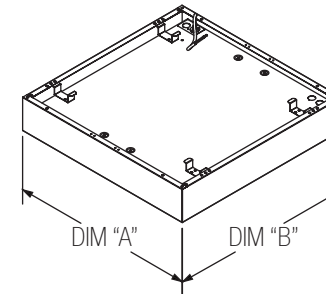
Pull ballast cover out by inserting a flat screw driver through the slot.

Step 2: Making the Connections

1. Using the power cord from the fixture make necessary wiring connections to building power.
2. After making connections recess the wires into the J-Box.



Fixture Size	Dim "A"	Dim "B"
1x4	13-1/2"	49-1/2"
2x2	25-1/2"	25-1/2"
2x4	25-1/2"	49-1/2"



1. This product must be installed in accordance with applicable installation and electrical codes by a professional familiar with the construction and operation of the product.
2. Minimum 90°C supply conductors
3. All electrical connections must be performed by a certified electrician to applicable local and national electrical codes.
4. Contact Pinnacle prior to making any fixture alterations.
5. Contact Pinnacle with any installation questions or field issues.



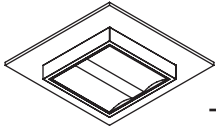
Designed in Denver Colorado

Phone: 303.322.5570

www.pinnacle-ltg.com

A brand of **legrand**

© 2018 Pinnacle Architectural Lighting



LUCEN 2x2, 2x4, 1x4 Surface Mount

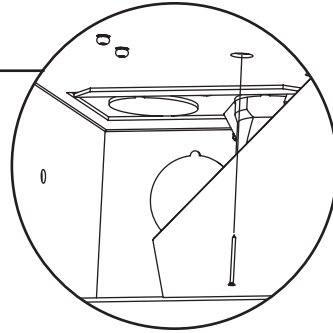


*** DO NOT APPLY PRESSURE *
TO CENTER LENS CHANNEL**

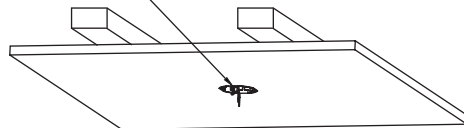
[Return to
Main Menu](#)

Step 3: Mounting

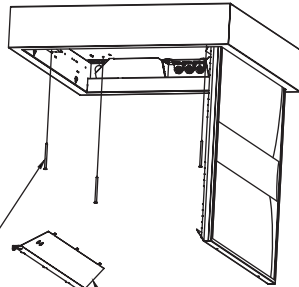
1. Inside ballast channel locate holes in corners (one in each corner) .
2. Using these holes (4) mount fixture to ceiling with appropriate mounting hardware (by others).



J-box/Power wire
access (by others)



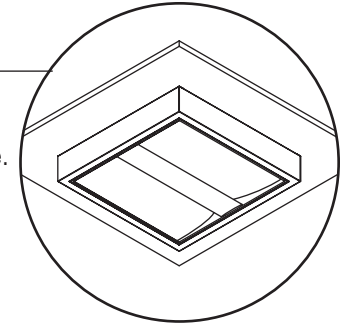
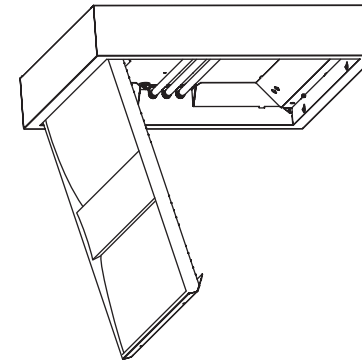
4x
Mounting
Hardware
(by others)



Ballast
Cover

Step 4 Finishing

1. Refer to step 1, reverse steps and re-install ballast covers.
2. Install lamps into fixture, and close door frame.



1. This product must be installed in accordance with applicable installation and electrical codes by a professional familiar with the construction and operation of the product.
2. Minimum 90°C supply conductors
3. All electrical connections must be performed by a certified electrician to applicable local and national electrical codes.
4. Contact Pinnacle prior to making any fixture alterations.
5. Contact Pinnacle with any installation questions or field issues.

Designed in Denver Colorado

Phone: 303.322.5570

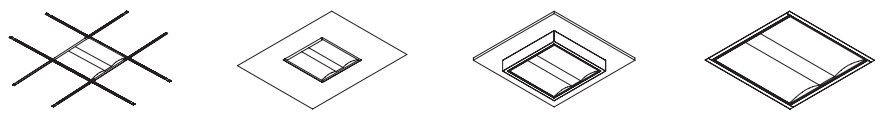
www.pinnacle-ltg.com

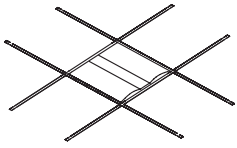
A brand of  **legrand**

© 2018 Pinnacle Architectural Lighting



LUCEN MAINTANENCE SHEET





LUCEN Maintenance Sheet

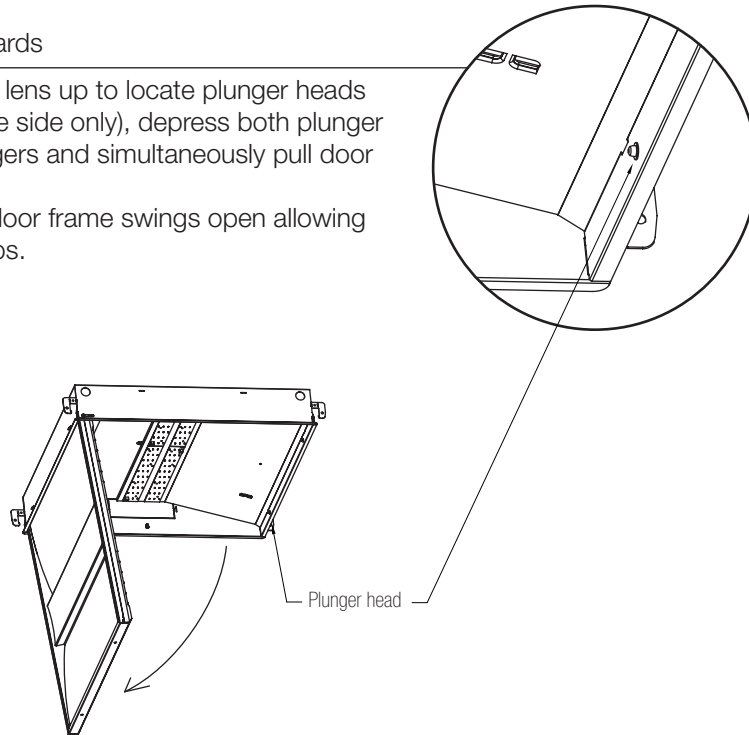


*** DO NOT APPLY PRESSURE *
TO CENTER LENS CHANNEL**

[Return to
Main Menu](#)

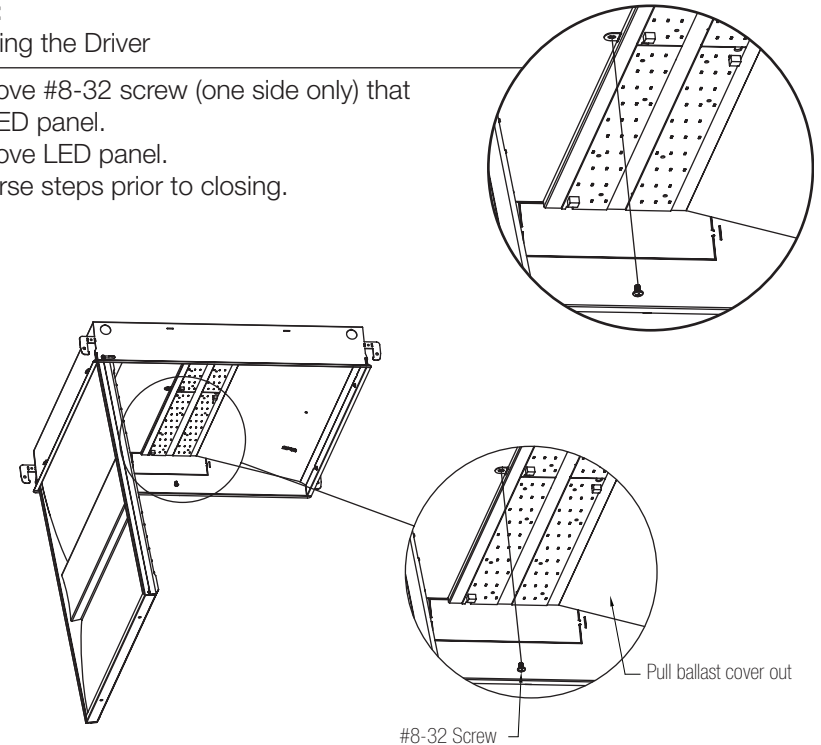
Step 1: Accessing Boards

1. Gently push lens up to locate plunger heads (located on one side only), depress both plunger heads with fingers and simultaneously pull door frame down.
2. One-piece door frame swings open allowing access to lamps.



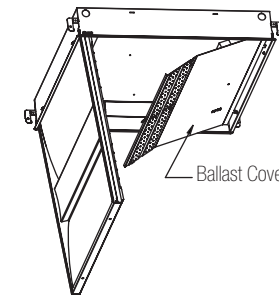
Step 2: Accessing the Driver

1. Remove #8-32 screw (one side only) that holds LED panel.
2. Remove LED panel.
3. Reverse steps prior to closing.



Step 1B: Cleaning Lenses

1. Open door frame (as instructed above).
2. Door frame remains captive to fixture during maintenance/cleaning.
3. Wipe top and bottom of lenses with Isopropyl alcohol and a clean rag. (DO NOT USE AMMONIA)
4. Close door frame.



1. This product must be installed in accordance with applicable installation and electrical codes by a professional familiar with the construction and operation of the product.
2. Minimum 90°C supply conductors
3. All electrical connections must be performed by a certified electrician to applicable local and national electrical codes.
4. Contact Pinnacle prior to making any fixture alterations.
5. Contact Pinnacle with any installation questions or field issues.



Designed in Denver Colorado

Phone: 303.322.5570

www.pinnacle-ltg.com

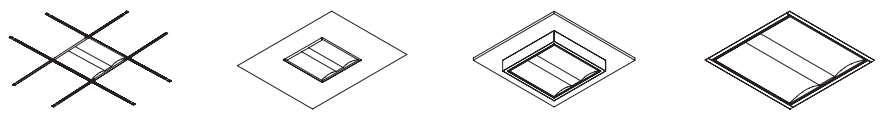
A brand of **legrand**

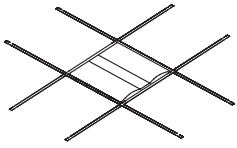
© 2018 Pinnacle Architectural Lighting



LUCEN

CONTROLS
DETAILS





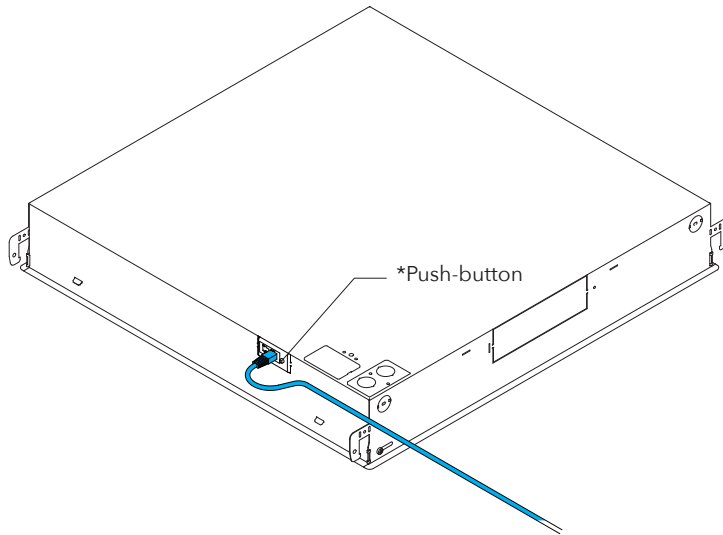
LUCEN Controls Details



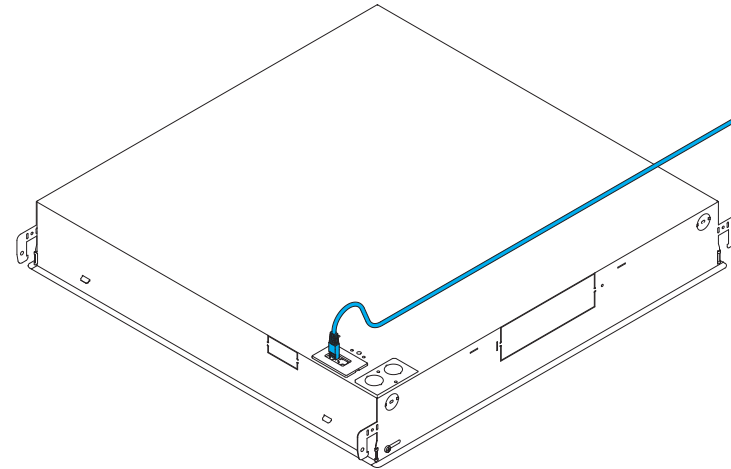
*** DO NOT APPLY PRESSURE *
TO CENTER LENS CHANNEL**

[Return to
Main Menu](#)

NLIGHT Control



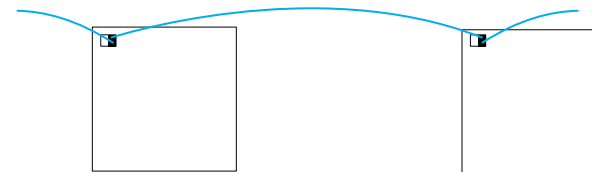
DLMFC Control



Controls Connections

1. Both NLIGHT and DLMFC options require ethernet connection.
(see images above for port location)
2. Connect ethernet cable to either jack in port.
3. To daisy chain fixtures use one jack for input and second jack for output to chain fixtures together.

Chaining individual fixtures



**NLIGHT Note: For push-button programming, refer to nLight installation literature.*



1. This product must be installed in accordance with applicable installation and electrical codes by a professional familiar with the construction and operation of the product.
2. Minimum 90°C supply conductors
3. All electrical connections must be performed by a certified electrician to applicable local and national electrical codes.
4. Contact Pinnacle prior to making any fixture alterations.
5. Contact Pinnacle with any installation questions or field issues.